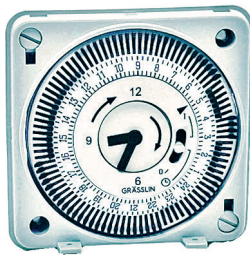
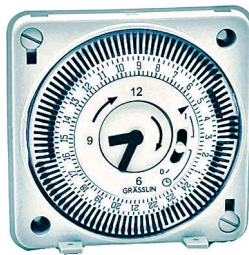


Time switch technology

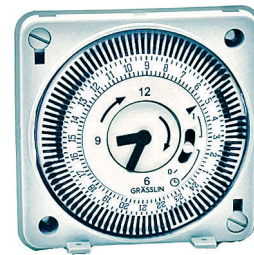
Analogue time switches, Installation, switching segments



tactic 111 E



tactic 211 E



tactic 211 E (OA)

Description

The universal time switches from our tactic product range provide versatile application options throughout buildings and outdoors. They can be used to control swimming pools or sprinkler systems, for example.

The analogue 1-channel, surface-mounted universal switches are synonymous with simple operation and are equipped with a Quartz or synchronous drive.

tactic 111 E

- Without power reserve
- Synchronous drive

tactic 211 E

- With power reserve
- Quartz controlled

tactic 211 E (OA)

- Without power reserve
- Quartz controlled

Product selection

Program	Number of channels	Power reserve	Shortest switching time	Programmable every	Type of contact	Operating voltage	Type	Item no.
Daily program	1	-	15 min	15 min	Changeover contact	230 V AC	tactic 111 E	01.79.1001.1
		3 days	15 min	15 min	Changeover contact	110-230 V AC	tactic 211 E	02.79.1001.1
		-	15 min	15 min	Changeover contact	110-230 V AC	tactic 211 E (OA)	02.79.1002.1

Technical data

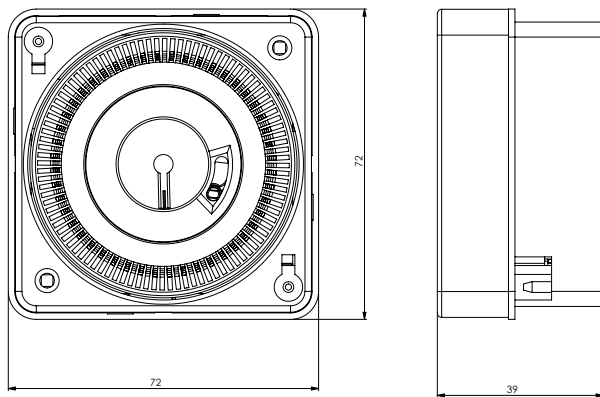
	tactic 111 E	tactic 211 E	tactic 211 E (OA)
Operating voltage	230 V AC	110-230 V AC	
Frequency	50 Hz	50-60 Hz	
Type of installation	Installation		
Type of contact	Changeover contact		
Program	Daily program		
Number of switching segments	96		
Number of channels	1		
Manual switch	Auto/Fix ON/Fix OFF		
Power reserve	-	max. 3 days	-
Drive	Synchronous motor	Quartz-controlled stepper motor	
Switching output	Potential-free and phase-independent		
Switching capacity at 250 V AC, cos phi = 1	16 A		
Switching capacity at 250 V AC, cos phi = 0.6	8 A		

Time switch technology

Analogue time switches, Installation, switching segments

	tactic 111 E	tactic 211 E	tactic 211 E (0A)
Incandescent/halogen lamp load	1400 W		
Shortest switching time	15 min		
Programmable every	15 min		
Time accuracy	Synchronised with mains	$\leq \pm 1.5$ s/day (Quartz) at 25 °C	
Standby output	0,9 W	0,6 W	
Housing and insulation material	High-temperature resistant, self-extinguishing thermoplastic		
Protection rating	IP 20		
Protection class	II as per EN 60 730-1		
Ambient temperature	-20 °C ... +50 °C		

Scale drawings



Connection example

