

● Key Card Electronic Switch 230V

Characteristics

	15A max
	15A / 230V~ $\mu \cos \varphi = 1$ 4A / 230V~ $\mu \cos \varphi = 0,6$

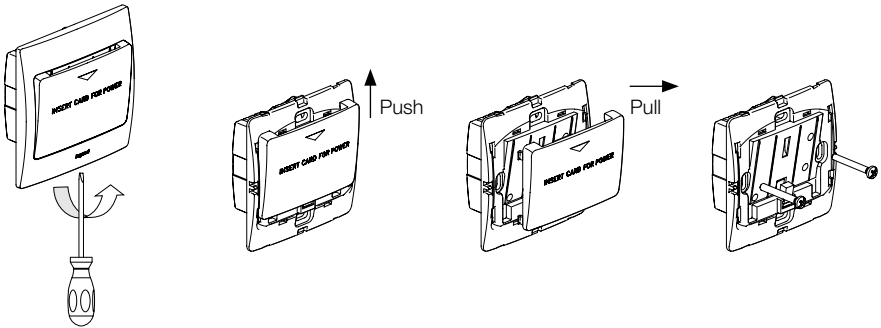
Utilization

 25°C 230V 50/60Hz	①	②	③ ø26 ø38	④ ø26 ø38
Max.	1800W	800W	400VA	800VA

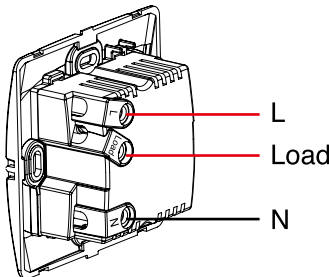
1. 1800W incandescent or halogen with ferromagnetic transformer
2. 800W inductive (motor)
3. 400VA compensated fluorescent
4. 800VA fluorescent with electronic ballast

Important: For loads higher than indicated in the above table, use a contactor.

Disassembly

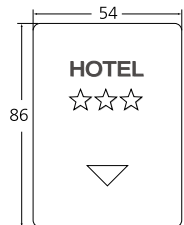
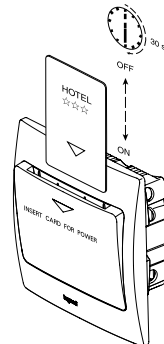


Wiring



Operation

Inserting card turns power on
Removing card turns power off after an approx. 30s delay



Card dimension:
(Standard credit card dimension)