

Air conditioning units control IR emitter

3456

Description

The air conditioning units control IR emitter is a device capable of controlling the air conditioning units of the air conditioning system by sending infrared controls. All the controls are sent to the splitter using the Touch Screen, or Multimedia Touch Screen, of the MY HOME system.

The device may be installed inside flush mounted boxes, behind traditional devices, in distribution boards, without using a DIN rail space, or inside the splitter. It is fitted with an IR transmitter with a two metre wire, for connection to the splitter receiver.

The IR transmitter has sockets for 4 configurators: ZA/A, ZB/PL, N, M.

Technical data

Operating power supply with SCS BUS:	18 – 27 Vdc
Absorption:	15 mA in stand-by 25 mA during transmission peak
Operating temperature:	5 – 40 °C

Dimensional data

Basic module

Configuration

The device can be configured in two separate ways:

1. Physical configuration: by connecting the physical configurators to their sockets.
2. Virtual configuration: the device is configured remotely, when no physical configurators are connected (future use).

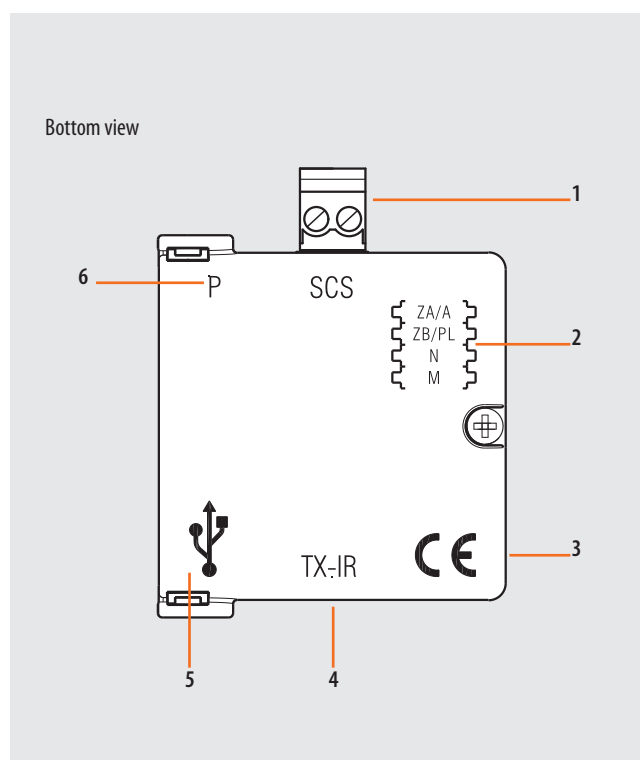
1) Basic mode M = 1

In this mode the device can learn up to 20 controls from the air conditioning unit remote control. These can be recalled by all the devices controlling the scenarios (scenario control, Local Display, Touch Screen, Multimedia Touch Screen, MH200, MHVisual, Web server).

In this mode, the device fully becomes part of the automation system, with A/PL address (the N configurator must be equal to 0). Acquisition of the control is ensured by connecting the device to the PC with the dedicated software.

Using the IR emitter it is possible to acquire the IR controls from the remote control, which can then be saved in a personal database.

Using the software, each control can be associated to a number from 1 to 20, and then downloaded on the IR emitter.



Legend

1. BUS connection
2. Configurator socket
3. Remote control IR receiver
4. IR transmitter connector
5. Software programming USB connector
6. Virtual configuration pushbutton (future use)

2) Advanced mode M = 0

In this mode the IR emitter provides control of the main functions of the air conditioning units (temperature, mode, speed and swing) from the Touch Screen and the Multimedia Touch Screen.

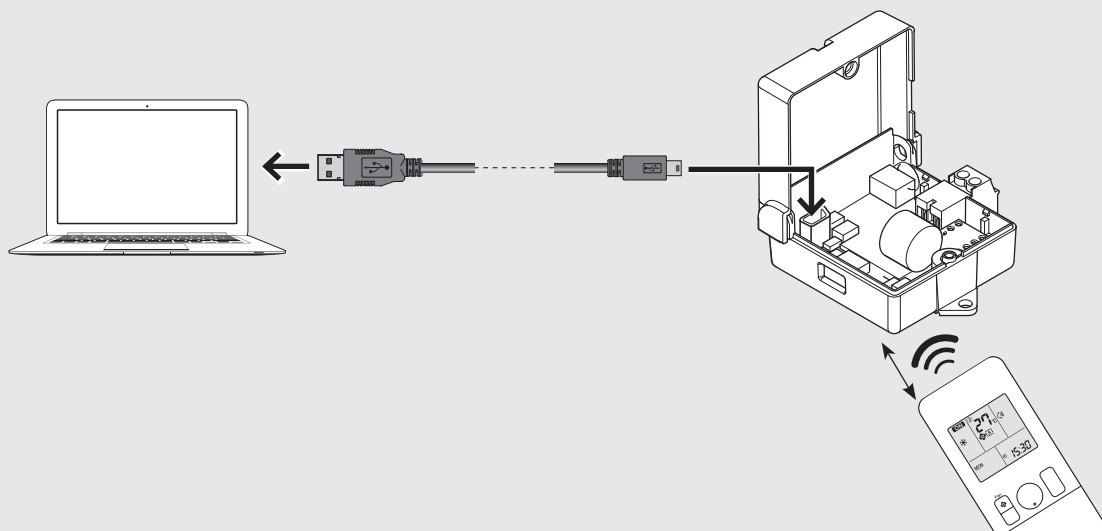
This mode is available for the air conditioning units listed in the database supplied with the product.

If used with the right air conditioning unit model, the following controls are possible:

- temperature: adjustment 16 – 30 °C
- mode: auto, heating, cooling, dry and fan
- speed: auto, minimum, medium, maximum
- fins oscillation (swing): on - off

Wiring diagrams

IR transmitter connected to the PC for the acquisition of the remote control using the dedicated software



IR transmitter connected to the splitter and the BUS

