



# Touch Screen

067292 - 573958

## Description

Touch Screen is a device that enables controlling the MY HOME and Lighting Management functions, by means of simple and intuitive icons displayed on a 3.5" touch screen LCD display.

The device can be used to manage the automation, lights, temperature control, sound system, burglar-alarm, energy management, and scenario functions.

For each application, it is possible to manage up to 20 actuators (for example 20 actuators, 20 amplifiers, etc.).

## Technical data

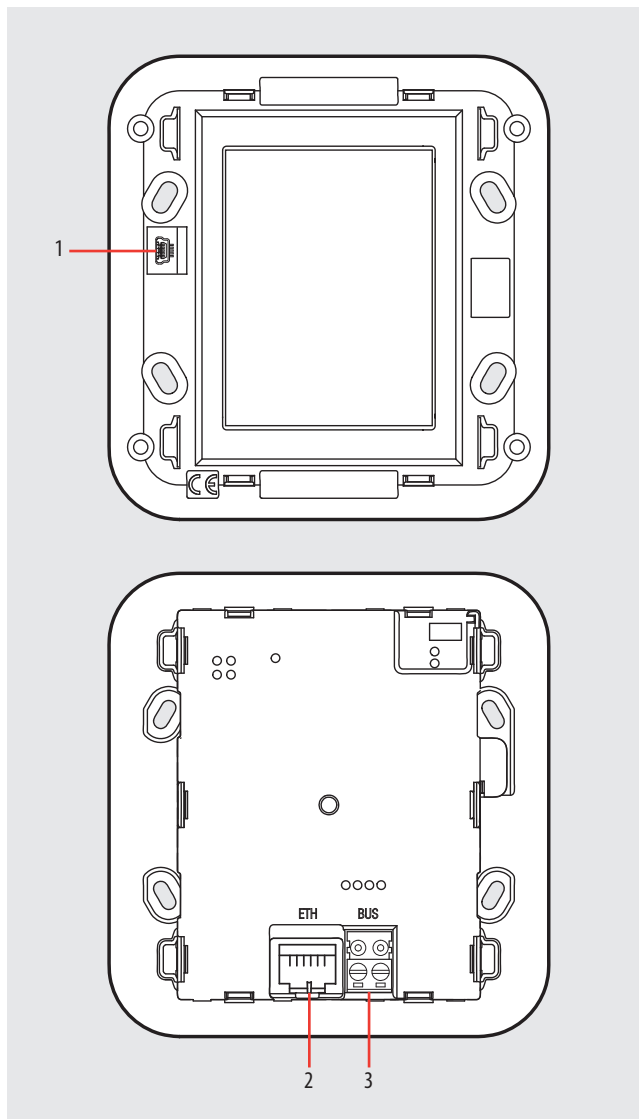
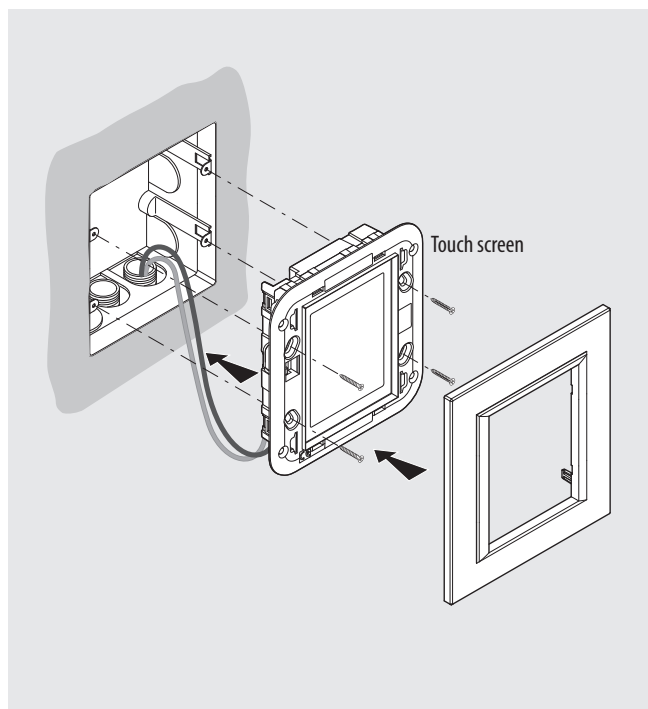
Power supply from SCS BUS:	27 Vdc
Operating power supply with SCS BUS:	18 – 27 Vdc
Absorption:	80 mA
Operating temperature:	0 – 40 °C

## Dimensional data

Size: 3+3 flush mounted module

## Installation

Touch Screen can be installed very easily on the wall using a box, and integrates perfectly with any domestic room thanks to its compatibility with all cover plates of the Axolute, Living, Mätix, Arteor and Céliane civil series.



## Legend

1. USB connector for programming and firmware update
2. RJ45 Ethernet connector
3. Clamp for SCS BUS connection

**Configuration**

Touch Screen is programmed by connecting it to a PC using the interface cable, item RS232 version, USB version, or an Ethernet cable, and the software.

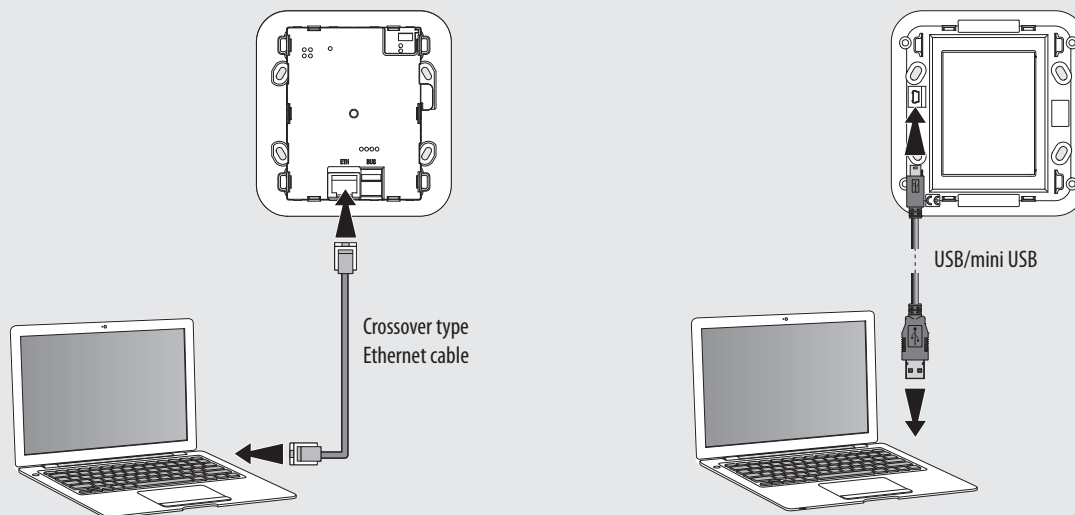
The software creates a link between the preconfigured icons, which will be shown on the Display, and the functions that must be managed and performed by the devices of the Automation and lighting, Sound, burglar-alarm, temperature control, energy management and scenario systems.

Based on the requirements of the customer, it is possible to create a new configuration,

or manage an existing one. The program also gives the possibility of configuring extra Touch Screen functions, such as scenarios with logic or time conditions, the display of the time and the date, and the setup of a protection password.

It is also possible to define the graphic style of the icons to complement the look of the device. For further information refer to the software documentation.

Connection to the Personal Computer



Connection to the Personal Computer for HW4890

