



# Indoor siren

675 15

### Description

This siren, self powered by a battery 675 16, can be used to add up to 3 alarm notifications within the protected area.

It can be configured to notify burglar alarm conditions by a continuous sound (fundamental frequency 1880 Hz) and/or auxiliary alarms by means of a modular sound.

This device is self protected from opening and tearing using a self-regulating Tamper.

### WARNING:

Do not use batteries different from the ones indicated.

### Related articles

681 89 (White Cover)

684 89 (Titanium Cover)

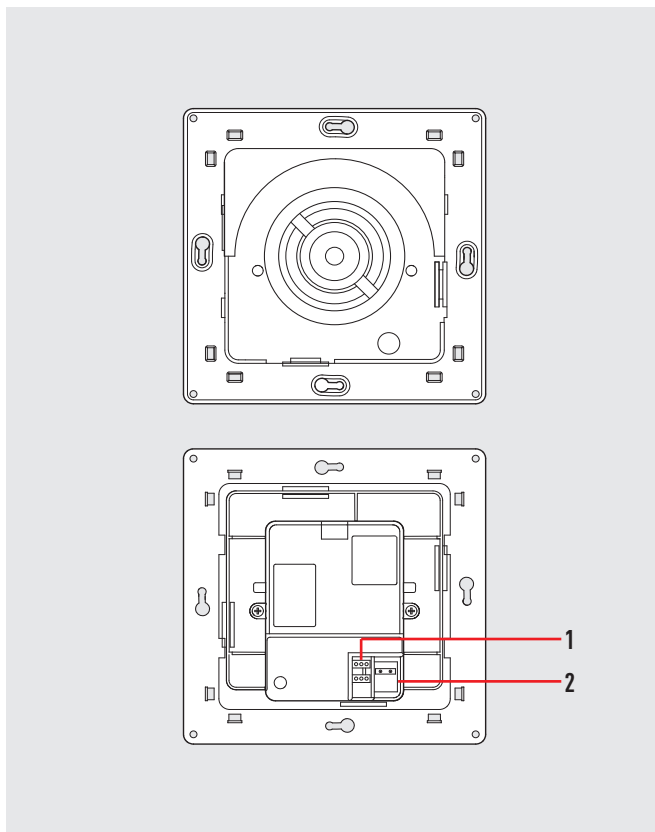
801 24 (Flush-mounting box)

### Technical data

Power supply from SCS BUS:	18 – 27 Vdc
Max. absorption:	8 mA
Level of the signal emitted:	105 dB(A) at 3 metres
Fundamental frequency:	1880 Hz
Self-powering battery:	675 16
Operating temperature:	5 – 40 °C

### Dimensional data

Size (H; L; P): 128x128x44



### Legend

- 1. Configurator housing
- 2. BUS

### Configuration

The Indoor siren requires the allocation of the progressive number and the operating mode. It can notify, by means of an intermittent sound, the activation of any of the auxiliary channels (technical alarm).

#### N

This configurator assigns the progressive number within the indoor siren group. Configurator 1 identifies the first siren, configurator 2 identifies the second siren and configurator 3 the third one.

#### NOTE: Systems with outdoor siren 844 24:

If the system includes an outdoor siren 844 24, this must be considered as siren no. 1.

If it includes two sirens, they must be considered as siren no. 1 and no. 2.

Indoor sirens will be counted later on. Up to a maximum of 3 sirens (Indoor or Outdoor) in total may be installed.

#### MOD

This configurator allocates the notification modes based on the type of alarm received.

<b>No configurator:</b>	burglar alarm and auxiliary alarm active.
<b>Configurator 1:</b>	burglar alarm active and auxiliary alarm non active.
<b>Configurator 2:</b>	burglar alarm non active and auxiliary alarm active.
<b>Configurator 4:</b>	burglar alarm active and auxiliary alarm active. Sound system enabling/disabling notification.
<b>Configurator 5:</b>	burglar alarm active and auxiliary alarm non active. Sound system enabling/disabling notification.
<b>Configurator 6:</b>	burglar alarm non active and auxiliary alarm active. Sound system enabling/disabling notification.