



Flush mounted loudspeaker

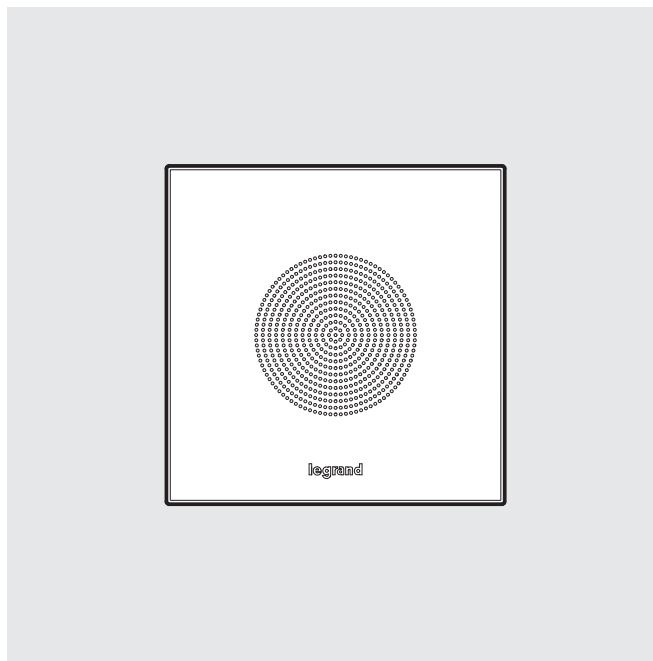
5739 77

Description

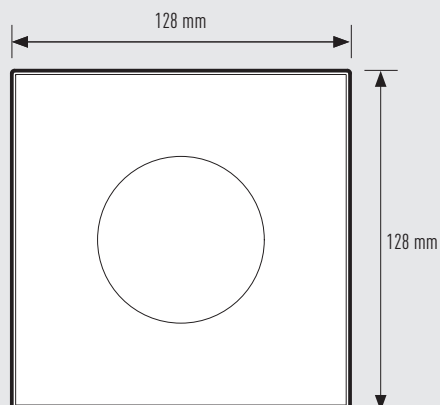
The loudspeakers must be installed inside boxes, 893 79, 891 30, do not need any supporting frame, and include all necessary parts.

Technical data

Type:	broadband
Power:	6 Wrms/12 W musical
Impedance:	16 Ω
Frequency range:	160 -16 kHz
Sensitivity:	80 dB (1 W/1 m)
Feature:	loudspeaker to be installed in suitable flush-mounted boxes: 893 79, 891 30.



Dimensional data



Depth: 43 mm