

4 x M6

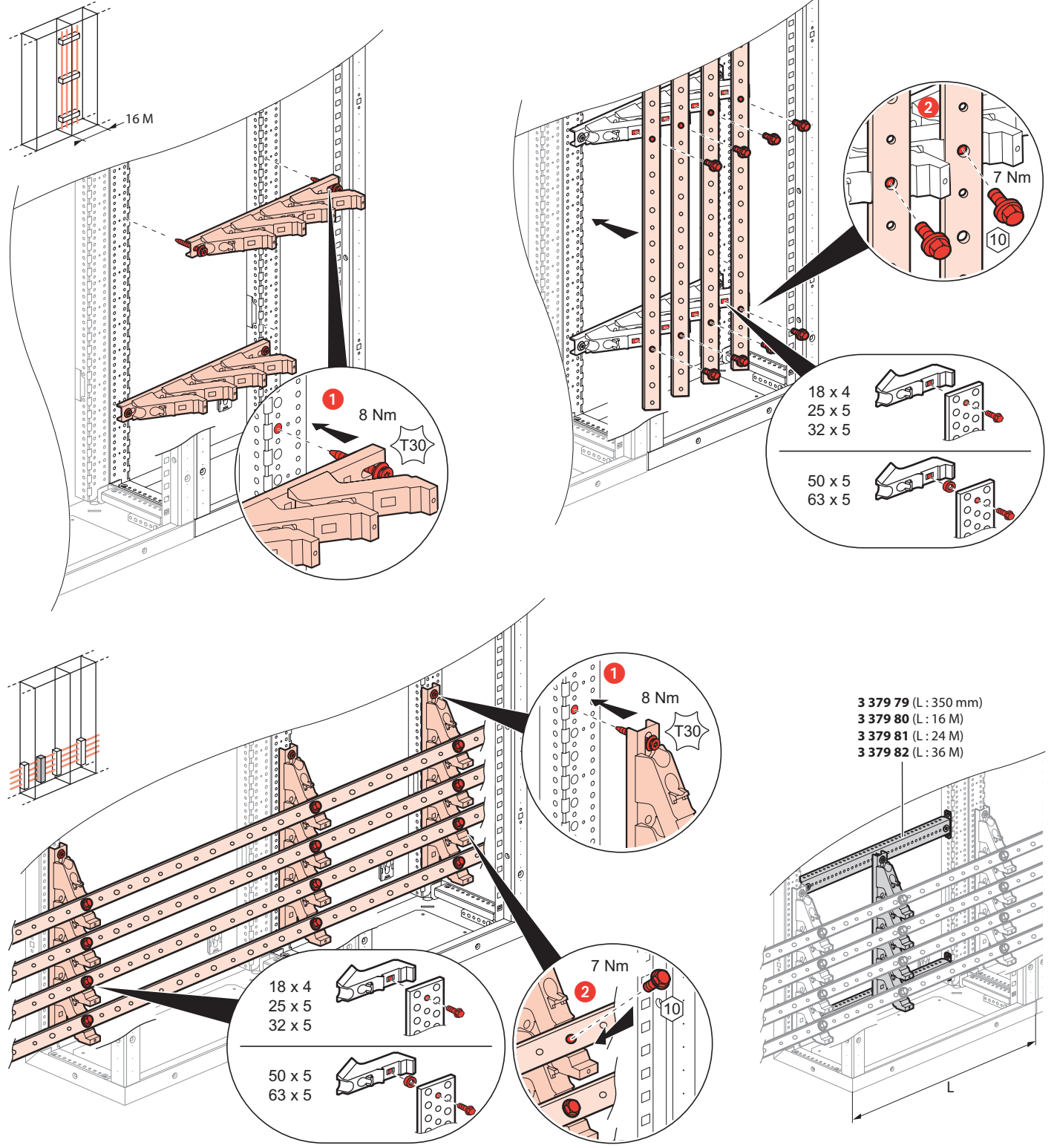


x 4

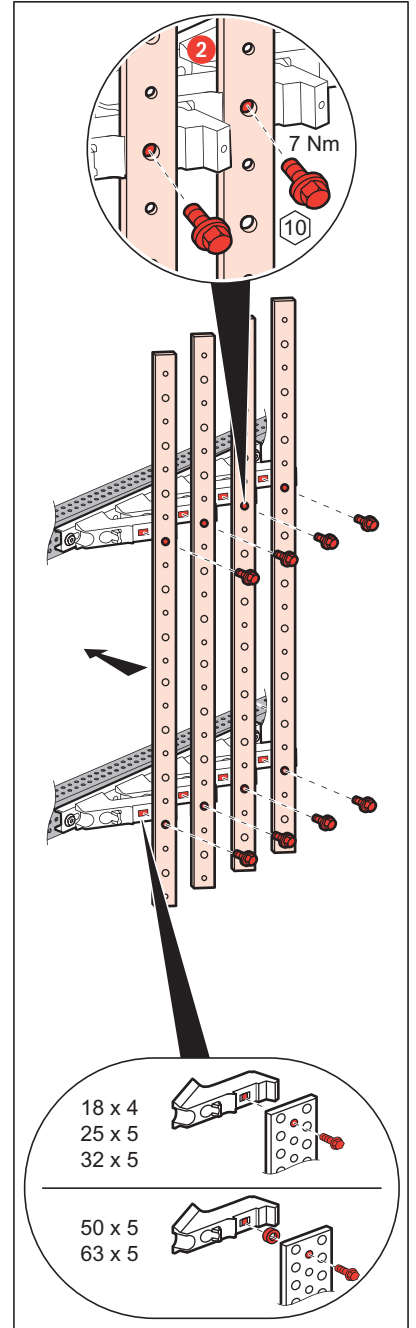
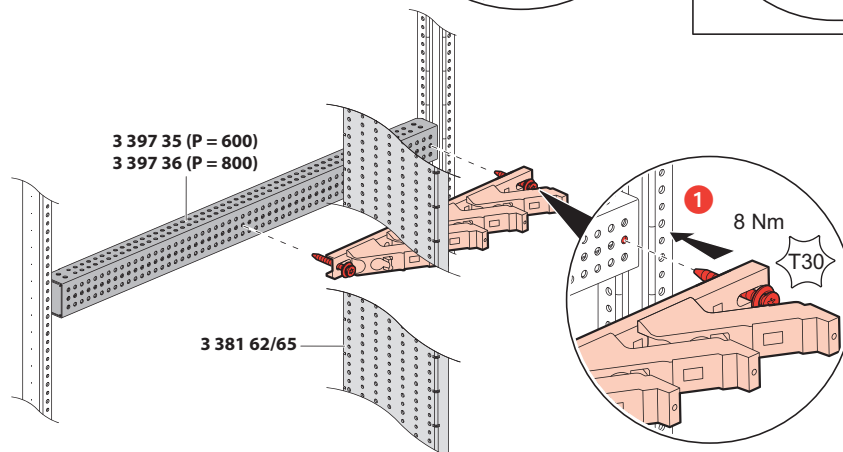
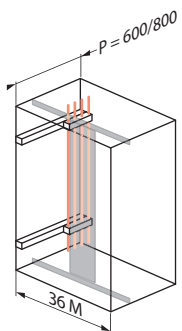
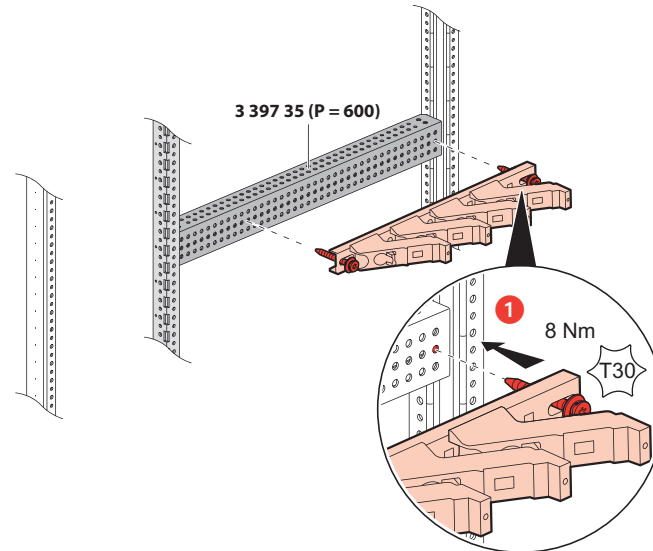
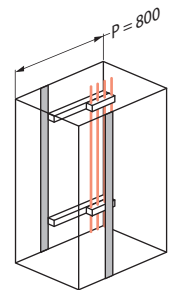
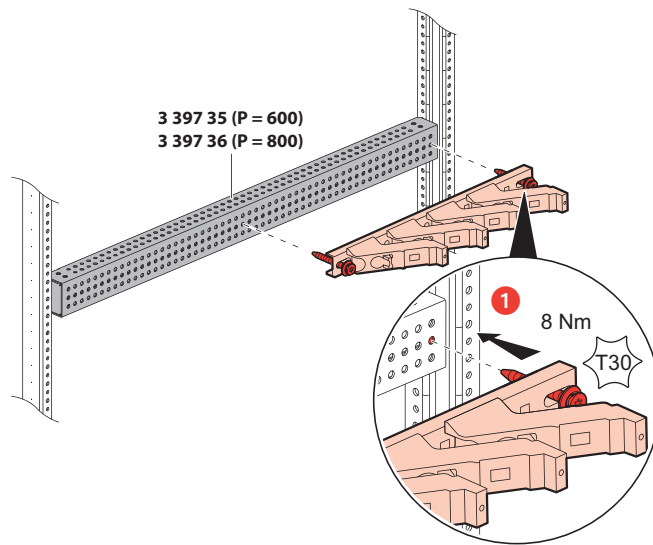
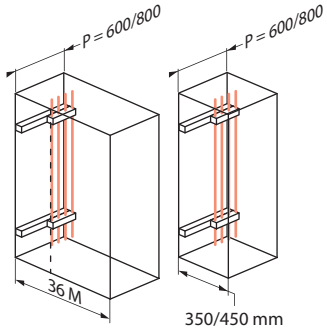
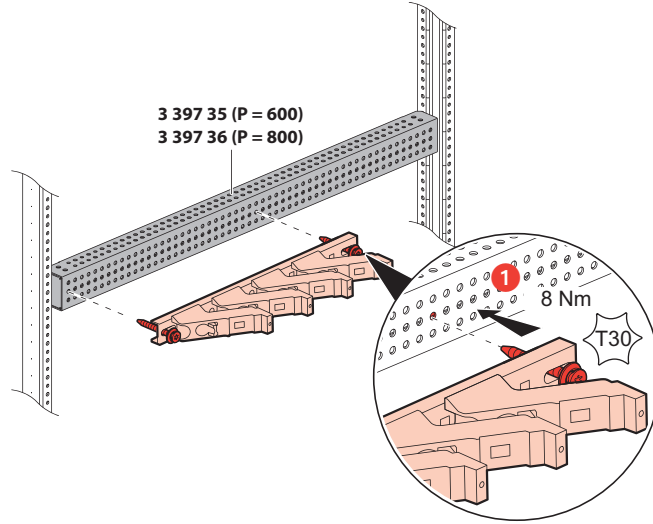
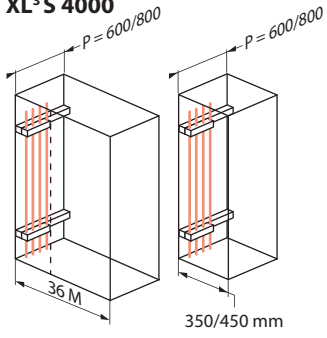


x 2

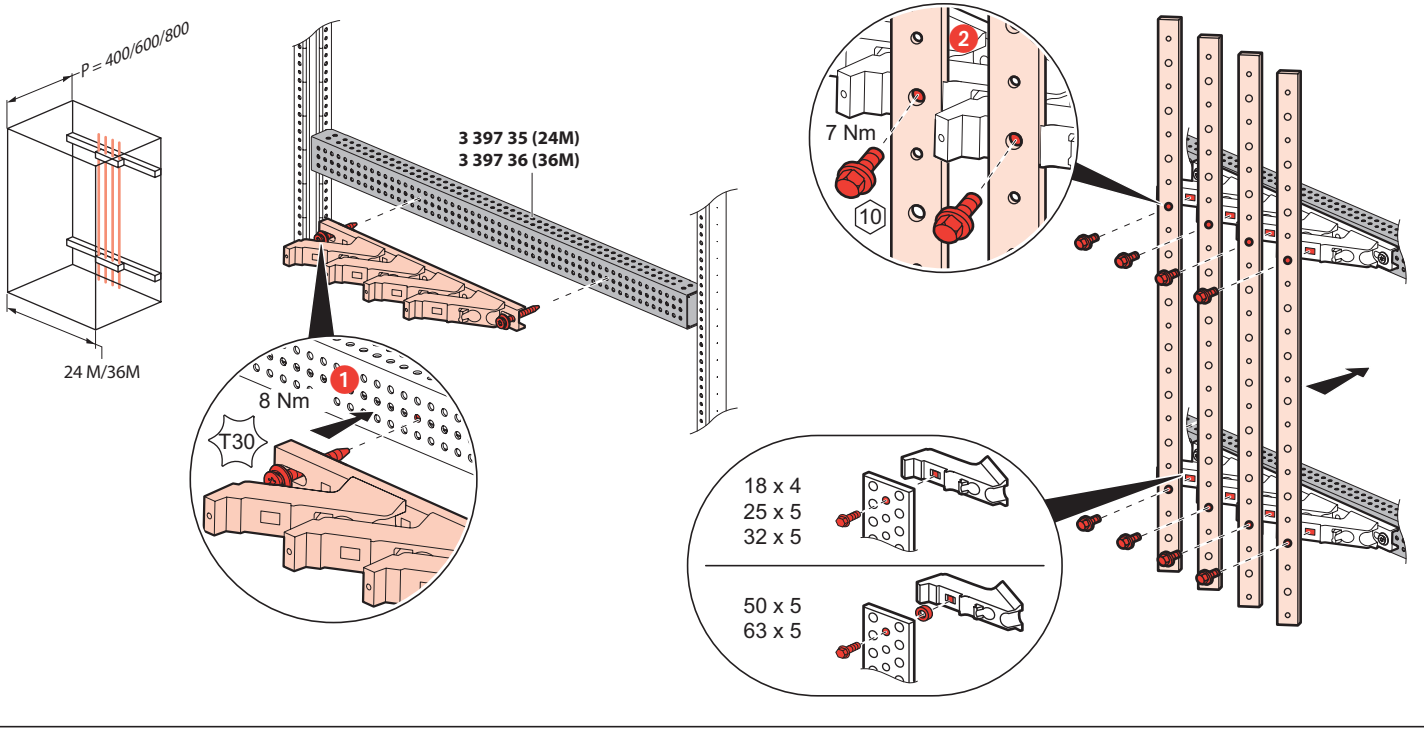
XL³S 630



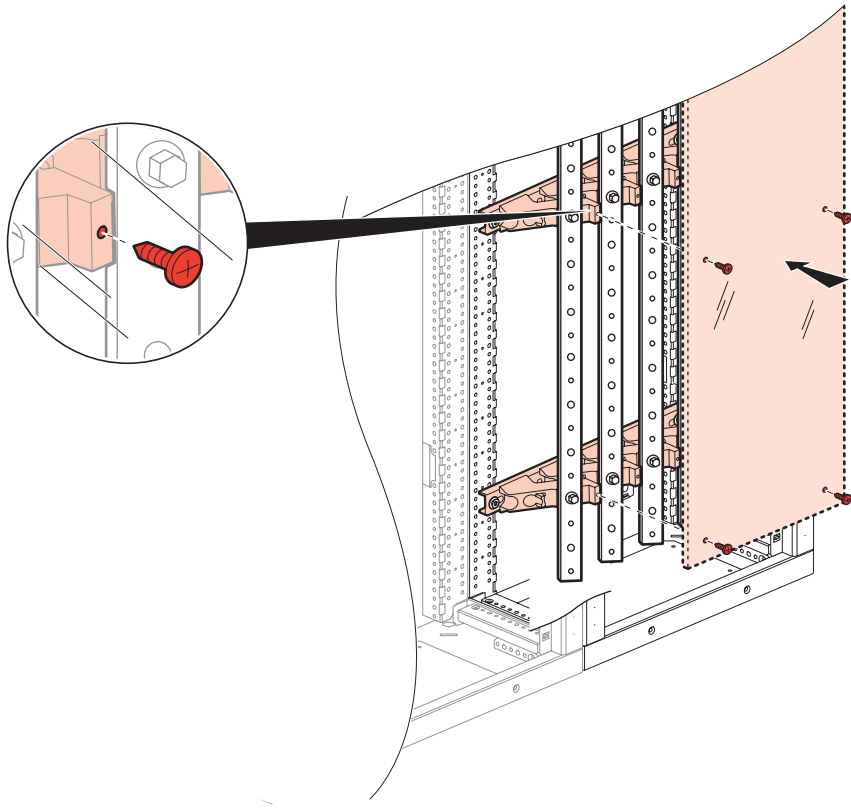
XL³S 4000

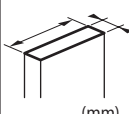


XL³S 4000



XL³S 630/4000



| Cu | | I (A) | | I _{pk} (kA) | | | | | | | | | | | | | |
|--|---------------------------|---------|---------|----------------------|---------|-----|-----|-----|-----|-----|-----|-----|-----|-----|-----|-----|-----|
| | | IP ≤ 30 | IP > 30 | IP ≤ 30 | IP > 30 | 10 | 15 | 20 | 25 | 30 | 35 | 40 | 45 | 50 | 60 | 70 | 80 |
|  (mm) | 0 374 34 18 x 4 | 245 | 200 | 245 | 200 | 800 | 400 | 300 | 250 | 225 | 200 | 175 | 150 | 150 | 125 | 100 | - |
| | 0 374 18 25 x 5 | 330 | 270 | 330 | 270 | 800 | 600 | 450 | 350 | 300 | 250 | 200 | 200 | 150 | 125 | 100 | - |
| | 0 374 19 32 x 5 | 450 | 400 | 450 | 400 | 900 | 600 | 500 | 400 | 350 | 300 | 250 | 200 | 150 | 125 | 100 | - |
| | 0 374 40 50 x 5 | 700 | 630 | 630 | 550 | - | 700 | 600 | 500 | 400 | 350 | 275 | 225 | 200 | 150 | 150 | 100 |
| | 0 374 41 63 x 5 | 800 | 700 | 720 | 630 | - | 800 | 700 | 550 | 450 | 400 | 300 | 250 | 200 | 150 | 150 | 100 |

LE09758AB-01