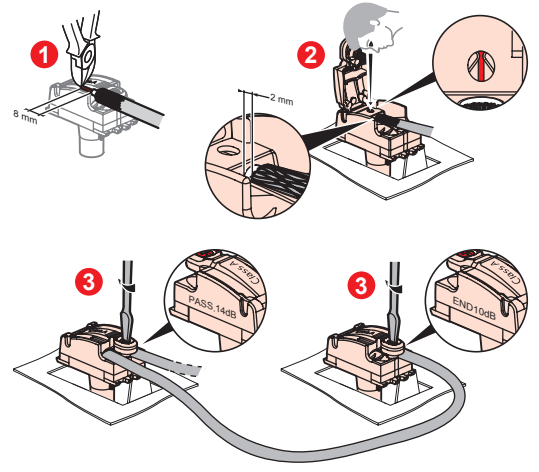
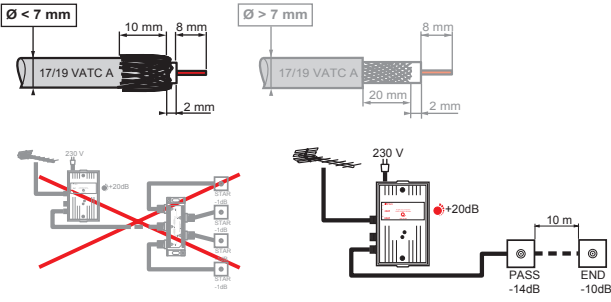


A 7 530 50 / 51

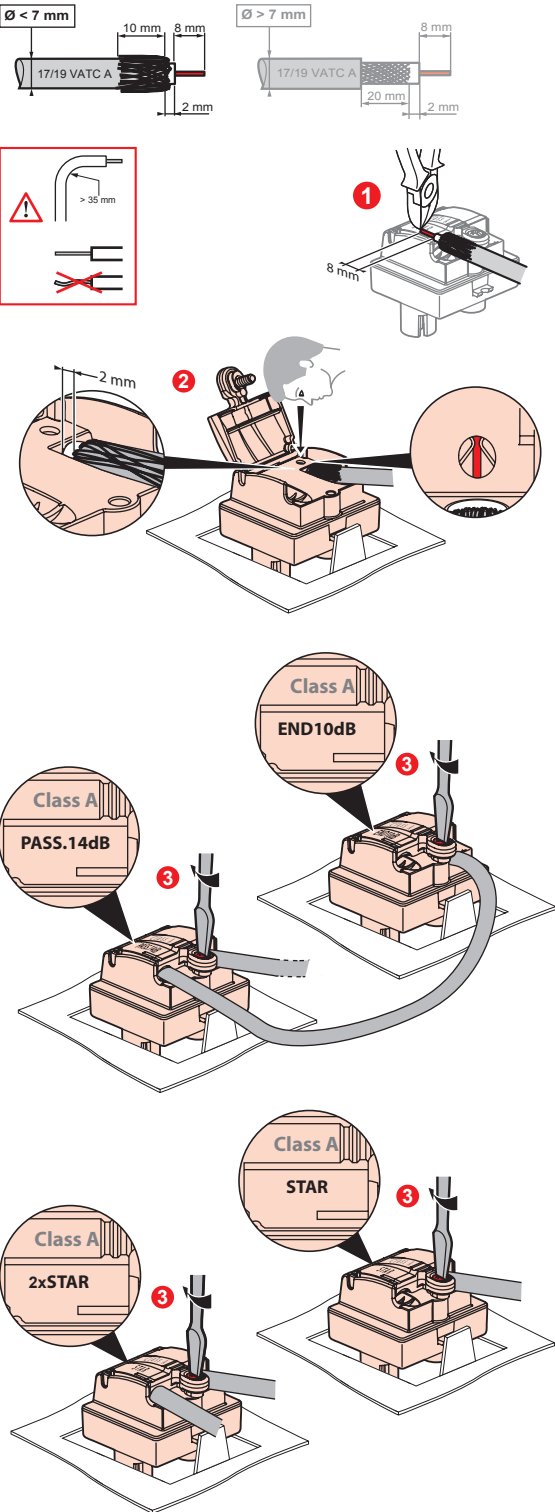
	ref	cabling structure	output	control
TV	7 530 50/51	star	1dB (4-2400MHz)	YES 500mA

B 7 530 60 / 61

	ref	cabling structure	output	control
TV	7 530 60	end	10dB (4-862MHz)	No
	7 530 61	pass	14dB (4-862MHz)	No



C 7 530 52 / 56 / 57 / 58 / 59 / 62 / 63 / 64 / 65 / 71



Category	Model	Component	Diagram 1	Diagram 2
TV-SAT	7 530 57			
	7 530 59			
	7 530 71			
TV-R	7 530 62			
	7 530 63			
TV-R-SAT	7 530 52			
	7 530 58			
	7 530 64			
	7 530 65			
TV-R-SAT-SAT	7 530 56			

	ref	cabling structure	output TV iec 9.52 male	Radio IEC 9.52 female	SAT Type F	SAT 2 Type F	Control
TV SAT	7 530 57	Star	1.5dB (4-862MHz)		2dB (950-2400MHz)		on SAT output 500mA
	7 530 71	pass	14dB (4-862MHz)		14dB (950-2400MHz)		on SAT output 500mA
	7 530 59	end	10dB (4-862MHz)		10dB (950-2400MHz)		on SAT output 500mA
TV R	7 530 62	end	10dB (4-68 & 120-862MHz)	10dB (87.5-108MHz)			
	7 530 63	pass	14dB (4-68 & 120-862MHz)	14dB (87.5-108MHz)			
TV R SAT	7 530 52	Star	1.5dB (4-68 & 120-862MHz)	1.5dB (87.5-108MHz)	2dB (950-2400MHz)		on SAT output 500mA
	7 530 58	star 2 input	1.5dB (4-68 & 120-862MHz)	1.5dB (87.5-108MHz)	2dB (4-2400MHz)		on SAT output 500mA
	7 530 64	end	10dB (4-68 & 120-862MHz)	10dB (87.5-108MHz)	10dB (950-2400MHz)		on SAT output 500mA
	7 530 65	pass	14dB (4-68 & 120-862MHz)	14dB (87.5-108MHz)	14dB (950-2400MHz)		on SAT output 500mA
TV R SAT SAT	7 530 56	star 2 input	1.5dB (4-68 & 120-862MHz)	1.5dB (87.5-108MHz)	2dB (950-2400MHz)	2dB (4-2400MHz)	on SAT output 500mA