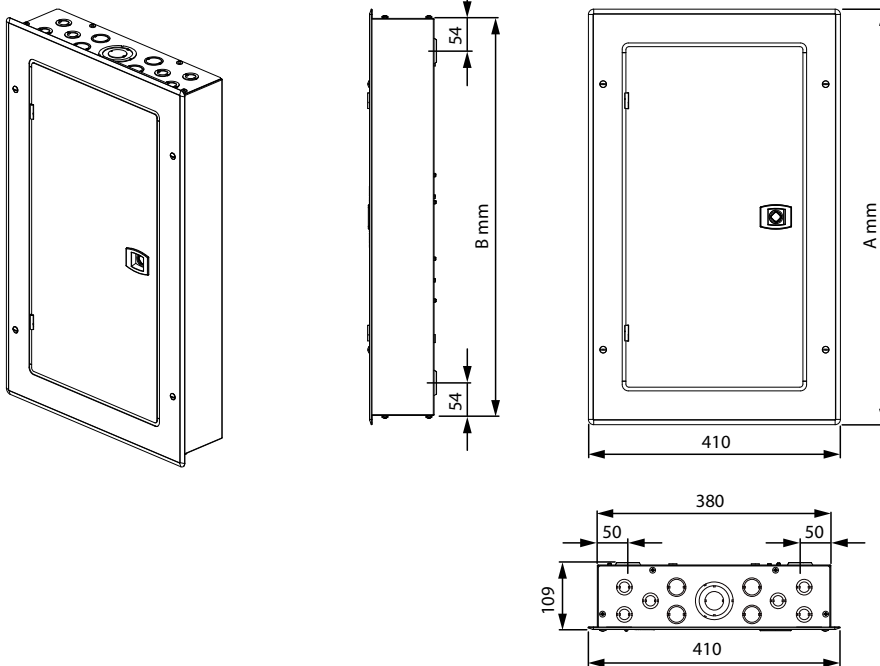
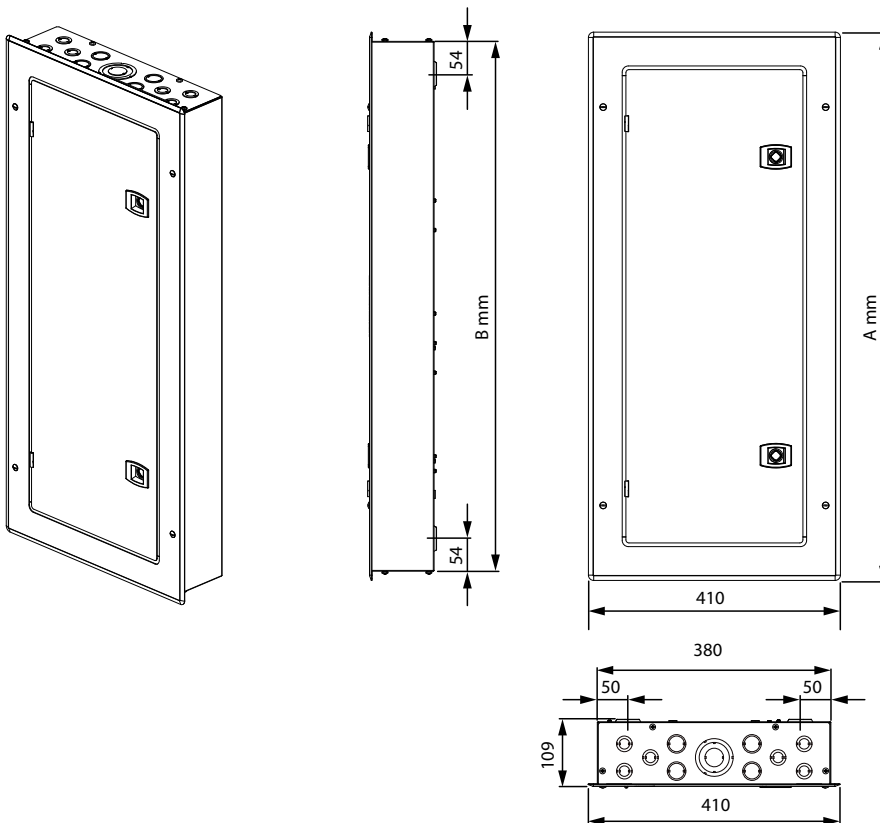


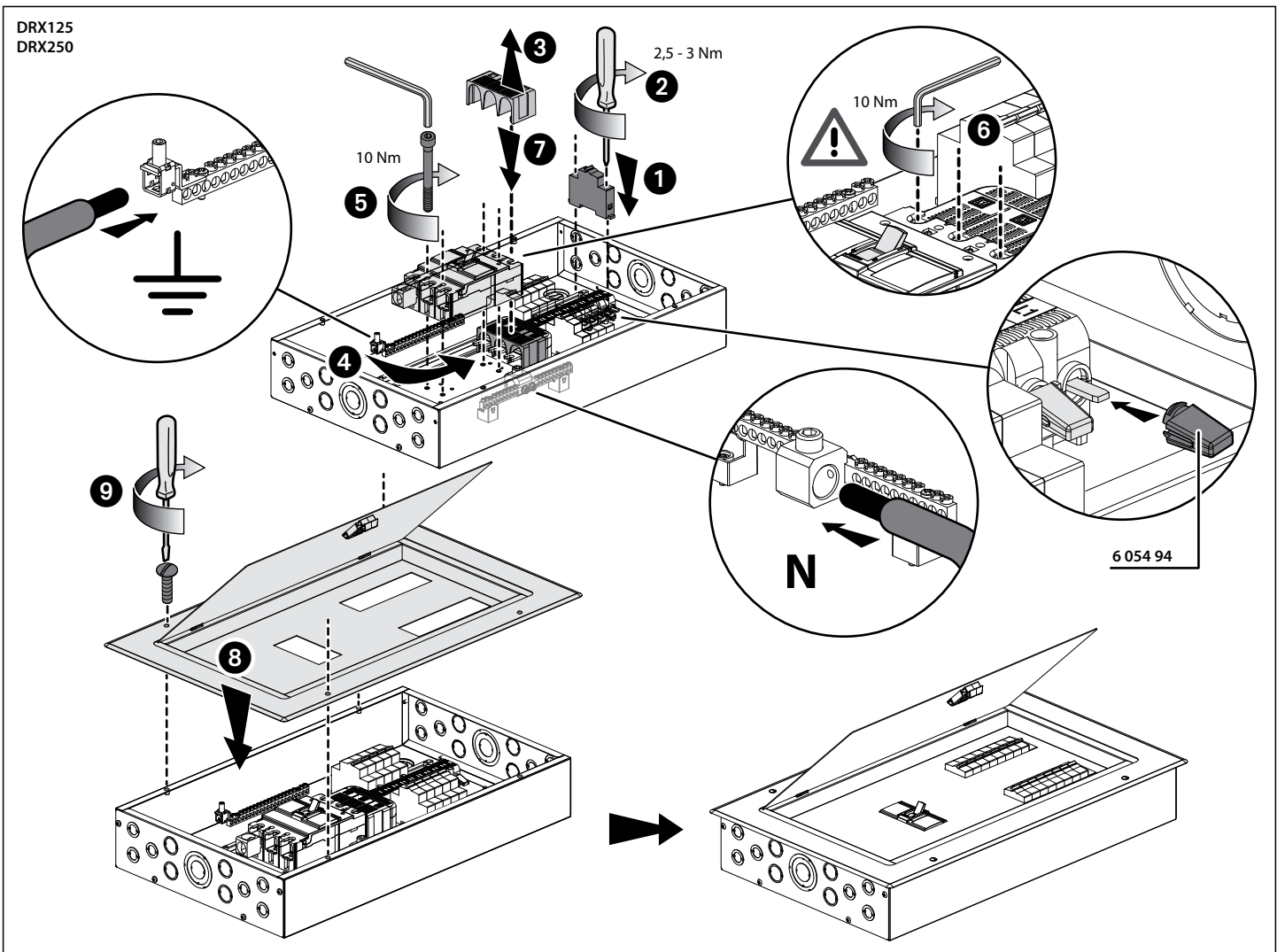
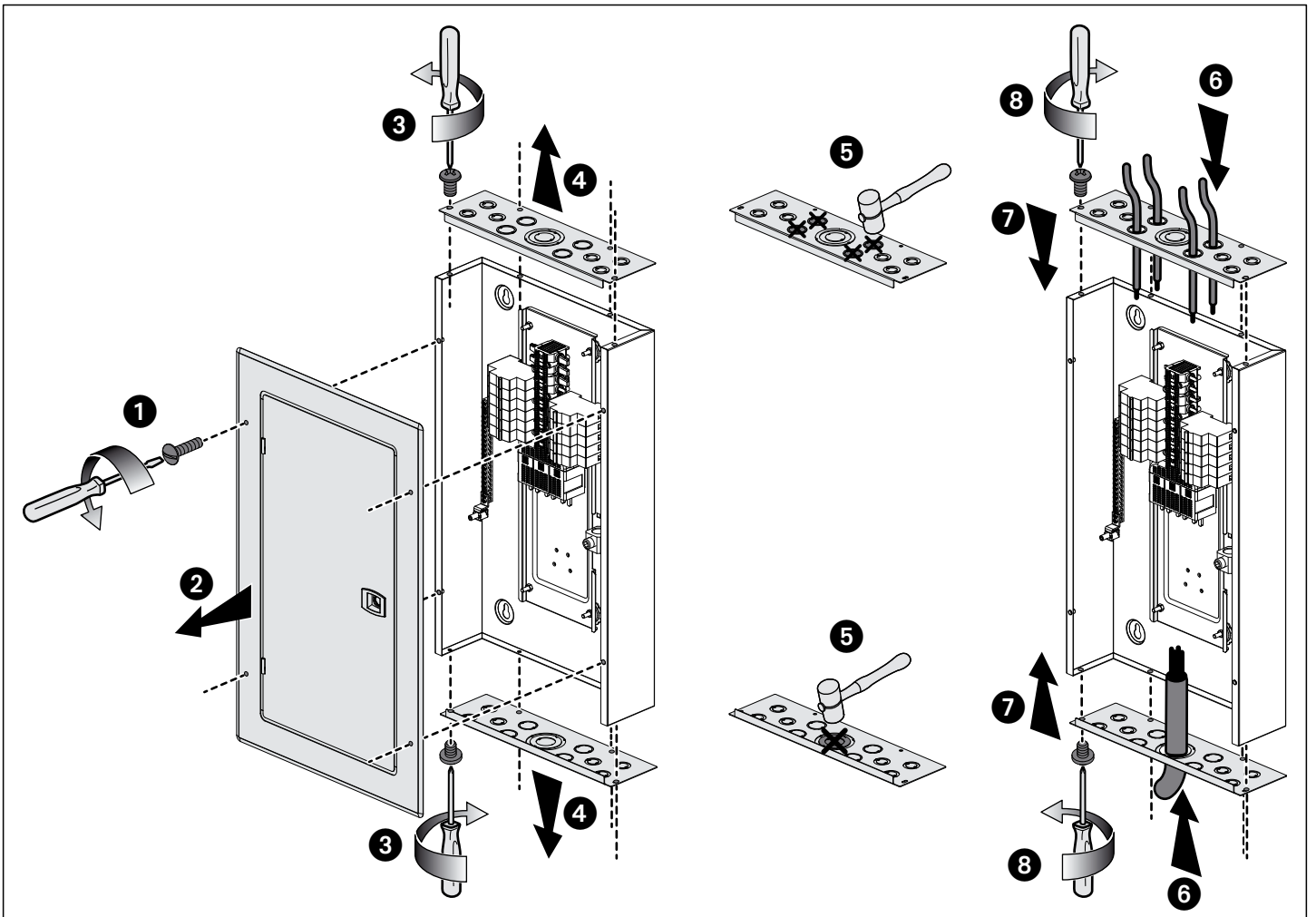
12P/18P/24P



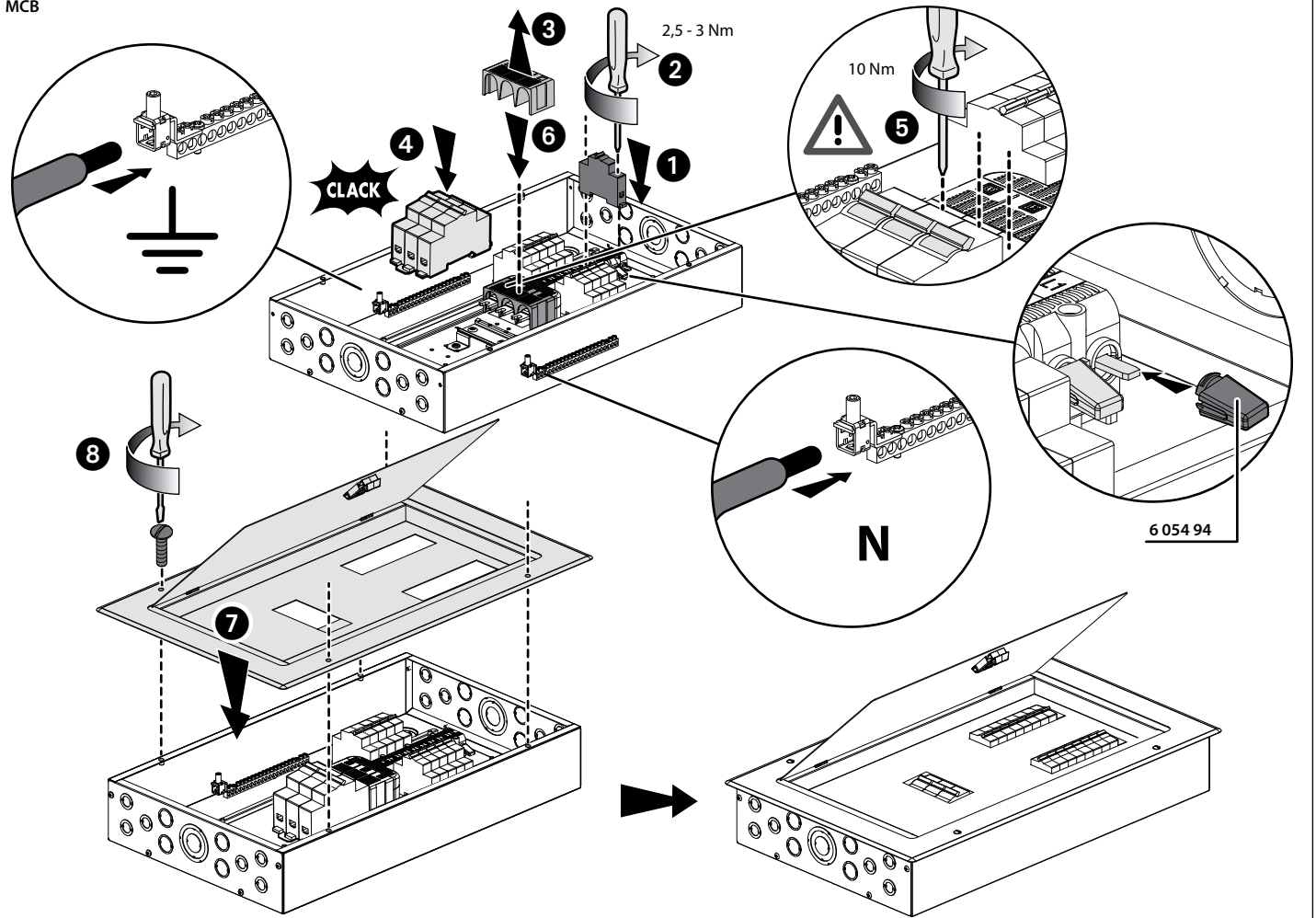
30P/36P/42P/48P/54P



	A mm	B mm	MCB	DRX 125	DRX 250
12P	622	594	6 044 00	6 044 30	—
18P	676	648	6 044 01	6 044 31	6 044 40
24P	730	702	6 044 02	6 044 32	6 044 41
30P	784	756	6 044 03	6 044 33	6 044 42
36P	838	810	6 044 04	6 044 34	6 044 43
42P	892	864	6 044 05	6 044 35	6 044 44
48P	946	918	6 044 06	6 044 36	6 044 45
54P	1000	972	6 044 07	6 044 37	6 044 46



MCB



MCB 4 WAY

