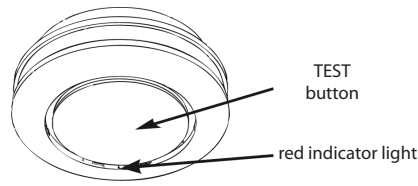


Presentation and technical characteristics

Smoke alarm Cat. No. 0 405 15 is an optical smoke detector for domestic use.

It detects the particles contained in white smoke and emits a piercing audible signal.
It is not triggered by alcohol-based fires.



Cat. No. 0 405 15 is powered by a 9 V alkaline battery (supplied), which can last for 1 year (depending on use).

The smoke alarm emits a flashing red light once every 45 s in normal operation.

Low battery warning: 1 beep every 45 s.
Sound level during alarm: > 85 dB at 3 m (94 dB at 1 m).
A test button can be used to check it is working correctly (long press).

Dimensions:
Ø: 104 mm, height: 36 mm
IP 20 - IK 02
Operating temperature: 0 to 55°C



0086
0086-CPD-537081
(08)
EN14604: 2005

Product model: Homewatch PS1201
Homewatch Ltd - 1906 Heung Tat Centre
18 Ceung Lee Street - Chai Wan, Hong Kong

Legrand
128, av. du Maréchal-de-Lattre-de Tassigny
87045 Limoges Cedex - France
www.legrand.com

⚠ Safety instructions **GB CA IN IE US**
This product should preferably be installed by a qualified electrician. Incorrect installation and use may lead to the risk of electric shock or fire. Read the manual and consider exactly where the product is to be fitted before carrying out installation. Do not open the device. All Legrand products must only be opened and repaired by trained staff authorised to do so by LEGRAND. Any unauthorised opening or repair voids all liability, replacement rights and warranties. Only use original accessories.

Choice of location

A smoke alarm alerts the occupants of a house to an outbreak of fire.
Given that the occupants are at most risk during the night, smoke alarms should be installed as a priority in landings leading to bedrooms and possibly in the bedrooms themselves.

Install a detector on the ceiling of each room to be monitored, preferably in the centre of the room.
The area covered by an optical smoke detector is around 50 m².

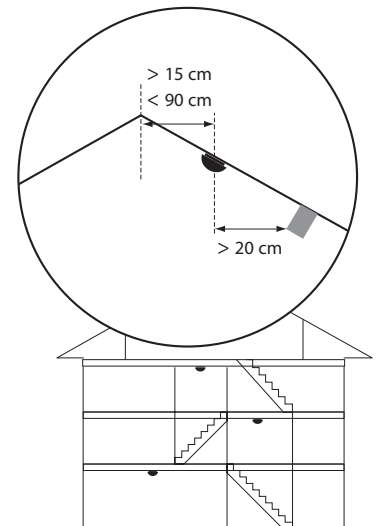
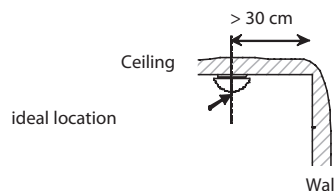
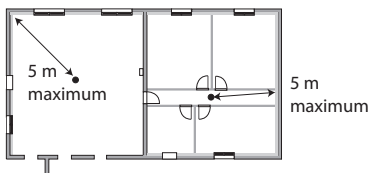
The maximum distance between the detector and the furthest point in the room to be monitored is 5 m.

Corridors:

- Install a detector in the middle of the corridor if it measures less than 10 m.
- For wider corridors, maintain a distance of 10 m between two detectors.

Floors:

Install one detector on each floor.



IMPORTANT

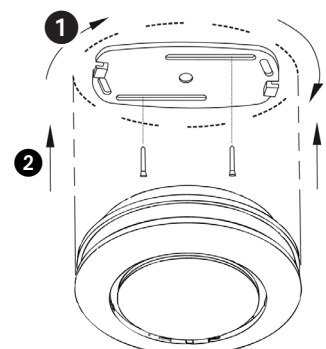
- Do not install detectors less than 1 m away from heating, cooling or ventilation outlets.
- Do not install detectors less than 20 cm from a partition, a wall or a beam, nor less than 60 cm from a corner.
- Do not install detectors close to ovens, grills, cooker hoods, light fittings or any source of heat.
- Do not install detectors in damp places (shower rooms, toilets).
- Avoid installing detectors on a non-insulated metal ceiling (risk of condensation).
- Do not install detectors in open rooms or outside.
- Do not paint the detectors.
- Do not install detectors less than 1.5 m from a fluorescent light source.

Installation

- Separate the detector from its mounting plate.
- Fix the plate securely using the wall plugs and screws supplied.
Drill holes Ø 5 mm
- Connect the battery.

NB:
The detector can only be closed once the battery is in place.

- Fix the detector to its mounting plate, turning clockwise until it locks into place.



Maintenance

- Functional check

Once a month, press the TEST button until the audible signal sounds (5 to 10 seconds):

- the indicator flashes
- the detector emits a piercing noise until the control button is released.

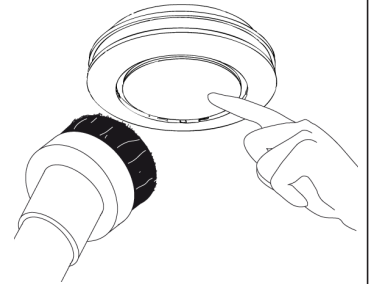
Do not use any other method of checking the detector.



- Care

Clean the detector surface with a damp cloth.

Remove any accumulated dust from the openings around the edge of the detector with a vacuum cleaner.



- The smoke alarm beeps every 45 s when its battery has run down.

- Replacing the battery: see the "Installation" section.

- remove the detector from its mounting plate (turn anti-clockwise)
- replace the flat battery with a 9 V alkaline battery type 6LR61 (DURACELL MN 1604, EVEREADY 522 or GP 1604 A)
(do not use salt water batteries)
- refit the detector on its mounting plate
- check that the detector is working correctly by pressing the TEST button until the audible signal sounds.

Replace the detector after 10 years maximum.

Date of installation: