




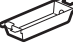


	A (mm)	B (mm)	6896 60	6896 61	6896 60 + 6896 61
6896 39	264	264	 x 3	—	 + 
6896 49	264	341	 x 4	 x 2	 x 2 + 