

**Use**

This pack enables you to create a connected installation in your home. It can be used to control lighting, roller shutters and electrical equipment plugged into connected sockets:

- using your smartphone and the Home + Control app
- using voice assistants
- from the general control at the entrance to your home

Supplied with the Home/Away wireless master flush switch required for the association procedure of all connected devices. - 1 modules.

**Range**

| Designation   | Cat. Nos. |
|---|-----------|
| Flush mounting Gateway 2 modules, equipped with RESET button (hidden) used to return to factory setting.                                      | ■ L4510C  |
| Additional wireless general control. Supplied complete with battery.  | □ N4510C  |
| Equipped with an LED indicator (configuration) and a RESET button (hidden) used to return to factory settings. Flush mounting wireless switch | ■ NT4510C |

Colours code:

□ White ■ Anthracite ■ Tech

**Connection**

Gateway: Terminal type: automatic  
Terminal capacity: 2 x 2.5 mm<sup>2</sup>  
Stripping length: 11 mm

**Technical characteristics**

**- Mechanical characteristics**

**Gateway 2 modules:**

Protection against impacts: IK 04  
Protection against solid bodies and/or liquids: IP 20

**General control:**

Protection against impacts: IK 02  
Protection against solid bodies and/or liquids: IP 20 without rocker plate and plate

**- Material characteristics of Gateway**

Mechanism casing: PC  
Halogen-free  
UV resistant  
Self-extinguishing: 850°C/30 s for insulating parts holding live parts in place.  
650°C/30 s for the other insulating components.

**- Material characteristics of general control**

Mechanism casing: ABS  
Mechanism functional cover ABS  
Halogen-free  
UV resistant  
Self-extinguishing: 650°C/30 s

**- Electrical characteristics of Gateway**

Voltage: 100/240 V~  
Frequency: 50/60 Hz  
Standby consumption: 0.1 mA  
**WiFi technology** 2.4 GHz (13 channels) - IEEE 802.11 b/g/n  
**ZigBee radio technology** frequency: 2.4 GHz to 2.4835 GHz  
Wireless mesh network, self-adaptive and secure (AES 128), conforming to standard IEEE 802.15.4 (LR-WPAN)  
Power level: < 100 mW  
Range: 200 m of unobstructed space  
10 m recommended between products indoors

**- Electrical characteristics of general control**

Powered by a CR2032 - 3 V lithium battery (supplied)  
Battery life: 8 years for 10 activations a day  
**ZigBee radio technology frequency** 2.4 GHz to 2.4835 GHz  
Wireless mesh network, self-adaptive and secure (AES 128), conforming to standard IEEE 802.15.4 (LR-WPAN)  
Power level: < 100 mW

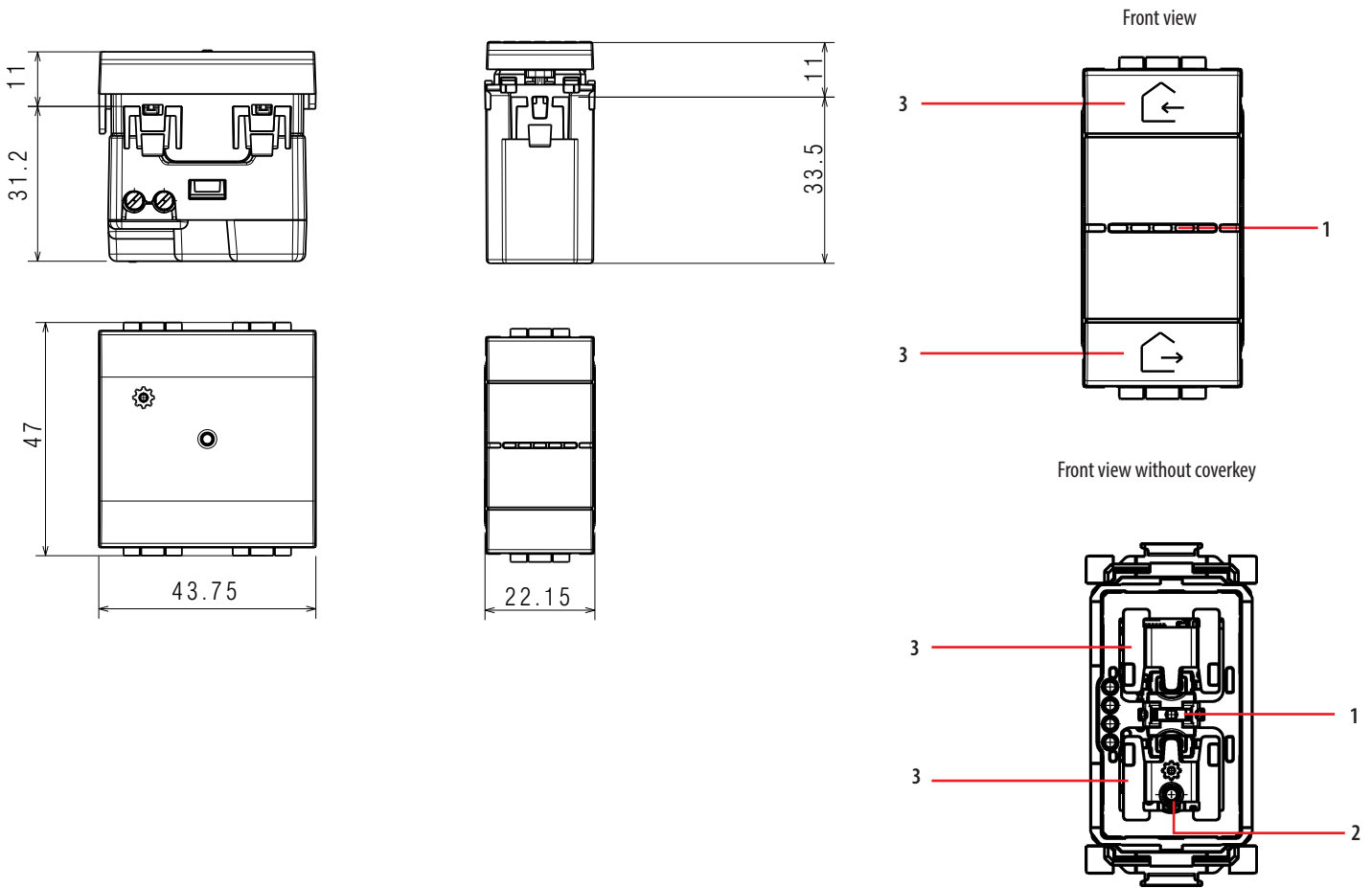
**- Climate characteristics**

Storage temperature: 0° C to + 45° C  
Usage temperature: +5° C to + 45° C

**Standards and approvals**

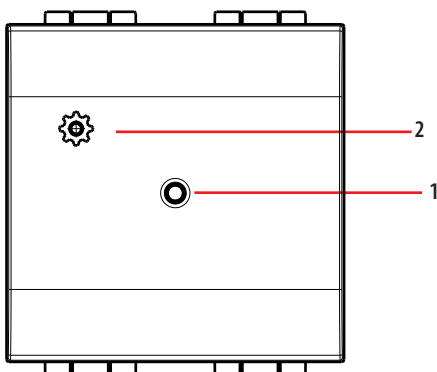
The undersigned, BTICINO, declares that the radio-electric equipment type (L-N-NT4510C) complies with directive 2014/53/EU.  
The full text of the EU declaration of conformity is available on the following website: [www.bticino.it/red](http://www.bticino.it/red)

Overall dimensions (mm)



Operation

Front view



Legend

1. LED indicator: useful during installation
2. RESET button used to return to factory settings
3. Control pushbutton

**Attention:** the starter pack is pre-paired at the factory.  
Never perform a factory RESET on the Gateway and the wireless general control at the same time, as this may render them unusable.

Cleaning

Clean the surface with a cloth.  
Do not use acetone, tar-removing cleaning agents or trichloroethylene.

**Caution:** Always test before using special cleaning products.

The plates must not be painted.



Take care to recycle the battery appropriately.

RAEE/WEEE: [bticino.com/disposal](http://bticino.com/disposal)