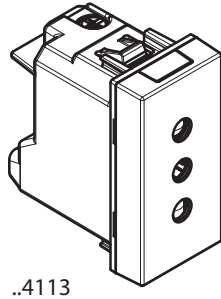


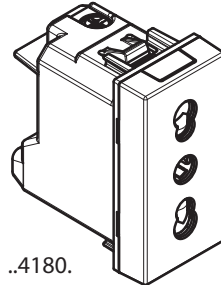
## Classia

### Socket outlet - Italian standard

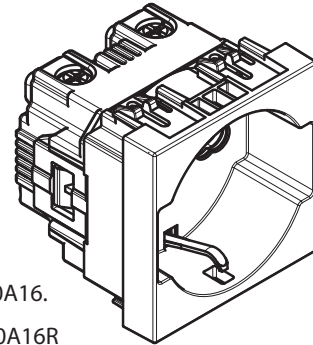
RW4113 - RA4113 - RG4113  
 RW4180 - RA4180 - RG4180 - R4180R  
 RW4180P - RG4180P  
 RW4140A16 - RG4140A16 - R4140A16R  
 RW4140A16P - RG4140A16P



..4113



..4180.  
R4180R



..4140A16.  
R4140A16R

#### Use

Socket outlets for: Italian standard, Italian and German standard plugs.

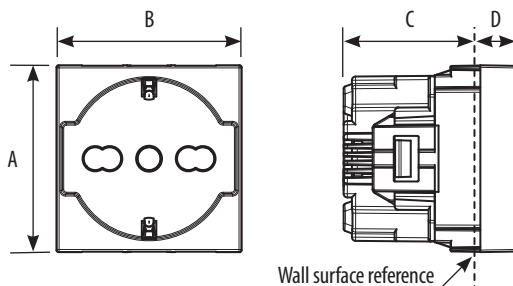
#### Range

Designation	Item
2P+E 16 A 250 Va.c. socket - center distance 19 mm and 26 mm - shielded tulip contacts - for plugs 2 P and 2 P+E 10 and 16 A Italian standard	<input type="checkbox"/> RW4180. <input type="checkbox"/> RA4180 <input type="checkbox"/> RG4180. <input type="checkbox"/> R4180R
Socket 2P+E 10A 250 Va.c. -type earth side contacts - shielded socket contacts	<input type="checkbox"/> RW4113 <input type="checkbox"/> RA4113 <input type="checkbox"/> RG4113
Socket 2P+E 10A and 16A 250 Va.c. 19 mm and 26 mm center distance, 2-center socket configuration protected socket contacts; earth side contacts for German standard plugs; suitable for Italian standard plugs 2P and 2P+E 10/16A, German standard plugs 2P+E 16A	<input type="checkbox"/> RW4140A16. <input type="checkbox"/> RG4140A16. <input type="checkbox"/> R4140A16R

#### Color code:

White colour     Aluminum colour     Black colour     Red colour

#### Overall dimensions (mm)



	A	B	C	D
1 module ..4113/..4180..	45.1	22.3	27.7	9.8
2 modules ..4140A16.	45.1	44.7	31.7	9.8

#### Connection

Terminal type: screw clamp  
 Terminal capacity: 2 x 4 mm<sup>2</sup> max  
 Stripping length: 11 mm  
 Compatible with flexible or rigid cables

#### Technical characteristics

##### - Protection index

(considering a complete installation, including cover plate)  
 Penetration by solid bodies/liquid: IP20D

##### - Mechanical characteristics

Impact test: IK 04

##### - Material characteristics

Case and Key cover: PC (Polycarbonate)

Halogen free.

UV resistant.

Self-extinguishing:

850° C / 30 s for insulating parts holding live parts in place  
 650° C / 30 s for other parts made of insulating materials

##### - Electrical characteristics

Voltage: 250 VAC

Current: 10 or 16 A

##### - Climatic characteristics

Storage temperature: - 10° C to + 70° C

Use temperature: - 5° C to + 35° C

#### Cleaning

Clean the surface with a cloth.

Do not use acetone, tar-removing cleaning agents or trichloroethylene.

**Caution: Always test before using special cleaning products.**

#### Standards and approvals

Compliance with standards CEI 23-50  
 IEC 60884-1

Refer to e.catalogue.