

UB

DISTRIBUTION BLOCKS (UB)

Wide variety of products for sub-distribution

Sub-distribution blocks are often used in sub-distribution and localised systems. HORA eTec UVB series models are also suitable for a host of other power distribution systems. The HORA eTec range includes a large product family accommodating a variety of cross-sections. All models are suitable for round or sector-shaped solid, stranded or flexible conductors in copper or aluminium.

HORA eTec supplies a new sub-distribution block model for up to 50 mm cross-section and a maximum capacity of 200A alongside common sub-distribution blocks with conductor cross-sections of up to 25 mm and rated current of 100A. The new UVB 200 sub-distribution block model is fitted with a hollow (square) main connector, allowing wire-end ferrules of any shape to be installed and connected with ease. HORA eTec sub-distribution blocks benefit from a highly compact design. This alone saves costs due to the low footprint.

This compactness and optimized brass body saves additional costs, not only from the space savings but also the additional user-friendly features sustainably reducing installation times. The simplified screw mounting with captive screws makes sub-distribution block installation easy and safe. There are no torque losses during assembly as brake screws are not needed.

Sub-distribution blocks are highly versatile, as they are already fitted with numerous terminals. Apart from that, the sub-distribution blocks are easy to extend by stacking and bridging with conductors. HORA eTec sub-distribution blocks in combinations of at least two can be mounted horizontally or vertically on TS 35 rails according to IEC 60715/DIN EN 50022 using specialised click-in technology.

All new sub-distribution block models are marked on the surface of the plastic casing at the terminals for the respective conductors, an additional feature that makes installation so much easier. The innovative step design on the brass body provides an unrestricted view of conductor insertions.

All sub-distribution blocks fulfil the EC Directive on the Restriction of Hazardous Substances in Electrical and Electronic Equipment (RoHS). These sub-distribution blocks have multiple approvals for use with aluminium and copper conductors. HORA eTec also provides optional custom branding, and custom industrial packaging is also available for product delivery.

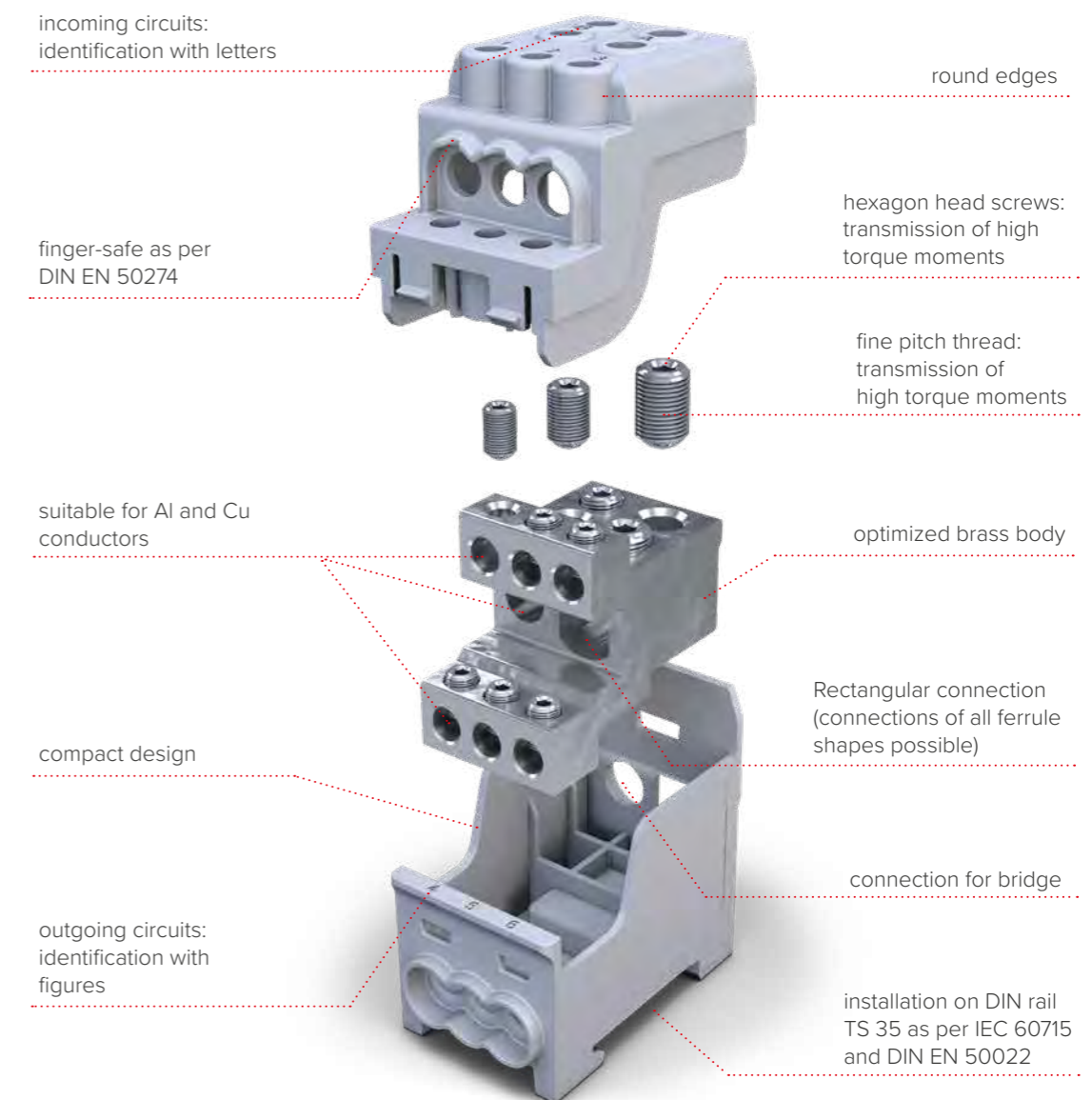


PRODUCT BENEFITS

- > Suitable for all round and sector-shaped solid, stranded or flexible conductors in copper or aluminium
- > Cost savings from optimized brass body and compact design
- > User-friendliness with simplified screw assembly, captive screws attached to the plastic casing, no brake screws needed
- > Universal connection for conductors on large numbers of terminals
- > Horizontal installation as well as free combination and stacking arrangement with component connections using conductor bridges



UVB



CERTIFICATES

- > IEC 60947-7-1
- > IEC 60998-1
- > IEC 61238-1 (Class A)



CONFORMITY



SAFETY



UVB 100 - 1 pole



080010-0-X

INCOMING/BRIDGE

2 x 25 mm² - 2,5 mm²
16 mm² - 1,5 mm²



OUTGOING

6 x 10 mm² - 1,5 mm²
6 mm² - 1,5 mm²



- > modular system
- > user-defined stackable
- > to fit on DIN rail TS 35



AL/CU



080010-1-X



080010-2-X



080010-3-X



080010-4-X

For aluminium and copper conductors (Al/Cu)



NOMINAL VOLTAGE	NOMINAL CURRENT	STANDARDS
1000 V AC	100 A Al	IEC 61238-1 (Class A)
1000 V AC	101 A Cu	EN 60998-2-1

Model	Part no.	Type	PU	GTIN / EAN
UVB 100 for aluminium/ copper conductors	080010-0-3	UVB 100 L G	3/54	4051589001038
	080010-1-3	UVB 100 N	3/54	4051589001137
	080010-2-3	UVB 100 PE	3/54	4051589001236
	080010-3-3	UVB 100 L B	3/54	4051589001335
	080010-4-3	UVB 100 L S	3/54	4051589001434

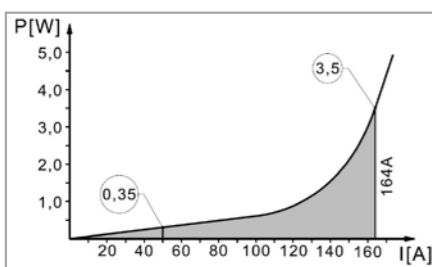
For copper conductors (Cu)



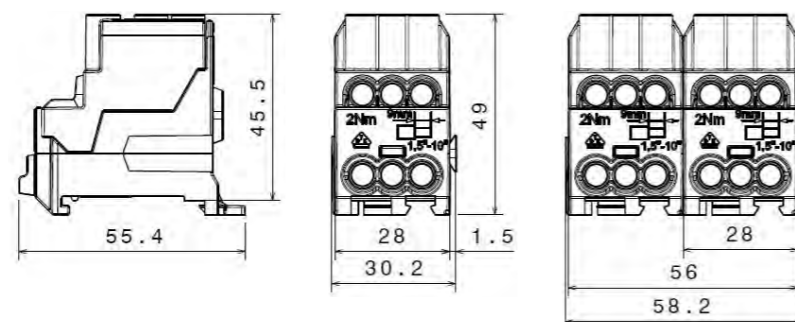
NOMINAL VOLTAGE	NOMINAL CURRENT	STANDARDS
1000 V AC	101 A	EN 60998-2-1

Model	Part no.	Type	PU	GTIN / EAN
UVB 100 for copper conductors	080010-0-4	UVB 100 L G	3/54	4051589800105
	080010-1-4	UVB 100 N	3/54	4051589800112
	080010-2-4	UVB 100 PE	3/54	4051589800129
	080010-3-4	UVB 100 L B	3/54	4051589800136
	080010-4-4	UVB 100 L S	3/54	4051589800143

Power loss UVB 100



Dimensions:



UVB 200 - 1 pole



080030-0-X

INCOMING

1 x 70 - 10 mm²
50 - 6 mm²



OUTGOING/BRIDGE

1 x 35 - 4 mm²
25 - 2,5 mm²



- > modular system
- > user-defined stackable
- > to fit on DIN rail TS 35

AL/CU



080030-1-X



080030-2-X



080030-3-X



080030-4-X



UVB

For aluminium and copper conductors (Al/Cu)



NOMINAL VOLTAGE	NOMINAL CURRENT	STANDARDS
1000 V AC / 1500 V DC	185 A Al	IEC 61238-1 (Class A)
1000 V AC / 1500 V DC	200 A Cu	IEC 60947-7-1

Model	Part no.	Type	PU	GTIN / EAN
UVB 200 for aluminium/ copper conductors	080030-0-3	UVB 200 L G	3/18	4051589003032
	080030-1-3	UVB 200 N	3/18	4051589003131
	080030-2-3	UVB 200 PE	3/18	4051589003230
	080030-3-3	UVB 200 L B	3/18	4051589003339
	080030-4-3	UVB 200 L S	3/18	4051589003438

For copper conductors (Cu)



NOMINAL VOLTAGE	NOMINAL CURRENT	STANDARDS
1000 V AC / 1500 V DC	200 A	IEC 60947-7-1

Model	Part no.	Type	PU	GTIN / EAN
UVB 200 for copper conductors	080030-0-4	UVB 200 L G	3/18	4051589800303
	080030-1-4	UVB 200 N	3/18	4051589800310
	080030-2-4	UVB 200 PE	3/18	4051589800327
	080030-3-4	UVB 200 L B	3/18	4051589800334
	080030-4-4	UVB 200 L S	3/18	4051589800341

Dimensions:

