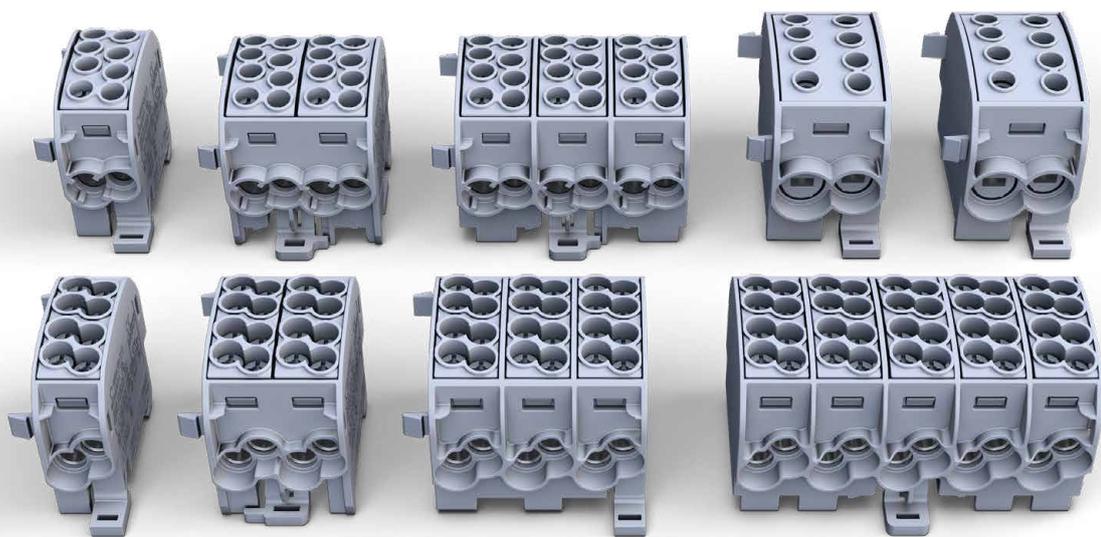




Technical data sheets
HLAK-series



Technical data

Description:	Main Line Branch Terminal 25 mm ² – 1 pole (Al/Cu)
Construction:	Model C – all-side fingersafe, modular system
Item no. :	080110-x-3

Remarks: The product is compliant with the EC ROHS directives

Standards: IEC 60947-7-1
CE (FI)

Nominal Voltage: 1.000 V AC / 1.000 V DC

Nominal current: Cu 152 A (2x16mm²); 101 A (1x25mm²) as per IEC 60947-7-1
 Al 100 A (1x25mm²)* as per IEC 61238-1 (Class A)

* Approved with Reko SFS 4880 (manufactured by Reka Cables Ltd)

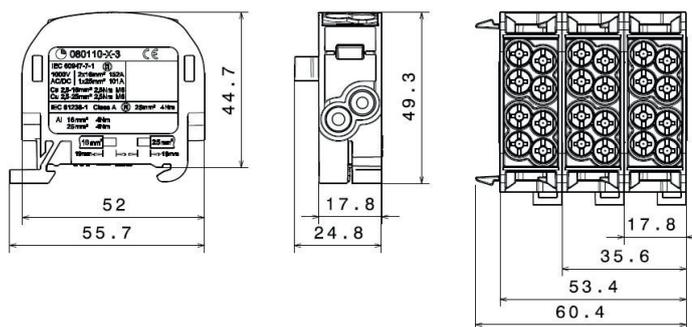
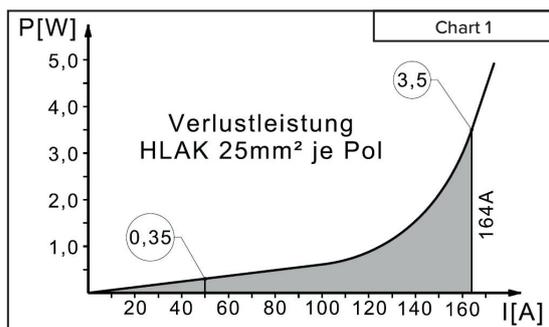
Power loss: Tested by SGS Fimko Ltd (FI) (see chart 1)

Terminal cross section:	2 x 25 mm ² (round conductor)			2 x 16 mm ² (round conductor)		
		Cu	Al		Cu	Al
25 mm ²	2,5 Nm	-	4 Nm	-	-	-
16 mm ²	2,5 Nm	2,5 Nm	4 Nm	2,5 Nm	-	4 Nm
10 mm ²	2,5 Nm	2,5 Nm	-	2,5 Nm	2,5 Nm	-
6 mm ²	2,5 Nm	2,5 Nm	-	2,5 Nm	2,5 Nm	-
4 mm ²	2,5 Nm	2,5 Nm	-	2,5 Nm	2,5 Nm	-
2,5 mm ²	2,5 Nm	2,5 Nm	-	2,5 Nm	2,5 Nm	-
1,5 mm ²	-	2,5 Nm	-	-	2,5 Nm	-
stripping length	19 mm			19 mm		
screw	M6 (+/- PZ2)			M6 (+/- PZ2)		

Materials: Terminal body: brass (CuZn39Pb2) 3-4µm Ni / 7-10µm Sn
 Housing: PA 6 (Halogen-free)
 Screws: steel Zn thick-film passivated

Flame resistance: Self-extinguishing

Mechanical data: Dimensions: width x height x depth (mm): 24,8 x 49,3 x 55,7



Design

Basic housing colour – light grey RAL 7035

Part no.	Design	Cover colour	PU	GTIN (EAN)
080110-0-3	L "G"	light grey RAL 7035	5	4051589011037
080110-1-3	N	light blue RAL 5012	5	4051589011136
080110-2-3	PE	yellow-green RAL 6018	5	4051589011235
080110-3-3	L "B"	clay brown RAL 8003	5	4051589011334
080110-4-3	L "S"	jet black RAL 9005	5	4051589011433
080110-5-3	R	beige red RAL 3012	5	4051589011532

Technical data

Description:	Main Line Branch Terminal 25 mm ² – 1 pole (Cu)
Construction:	Model C – all-side fingersafe, modular system
Item no. :	080110-x-4

Remarks: The product is compliant with the EC ROHS directives

Standards: VDE Certification as per DIN VDE 0603-2, EN 60947-7-1



Nominal Voltage: 1.000 V AC / 1.000 V DC

Nominal current: Cu 152 A (2x16mm²); 101 A (1x25mm²) as per IEC 60947-7-1

Power loss: Tested by SGS Fimko Ltd (FI) (see chart 1)

Terminal cross section:

	2 x 25 mm ² (round conductor)		2 x 16 mm ² (round conductor)	
	Cu		Cu	
25 mm ²	2,5 Nm	-	-	-
16 mm ²	2,5 Nm	2,5 Nm	2,5 Nm	-
10 mm ²	2,5 Nm	2,5 Nm	2,5 Nm	2,5 Nm
6 mm ²	2,5 Nm	2,5 Nm	2,5 Nm	2,5 Nm
4 mm ²	2,5 Nm	2,5 Nm	2,5 Nm	2,5 Nm
2,5 mm ²	2,5 Nm	2,5 Nm	2,5 Nm	2,5 Nm
1,5 mm ²	-	2,5 Nm	-	2,5 Nm
stripping length	19 mm		19 mm	
screw	M6 (+/- PZ2)		M6 (+/- PZ2)	

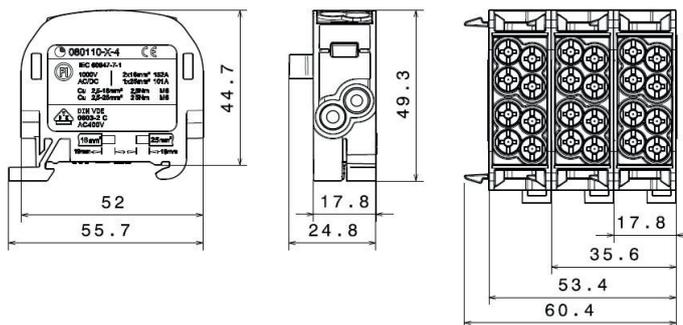
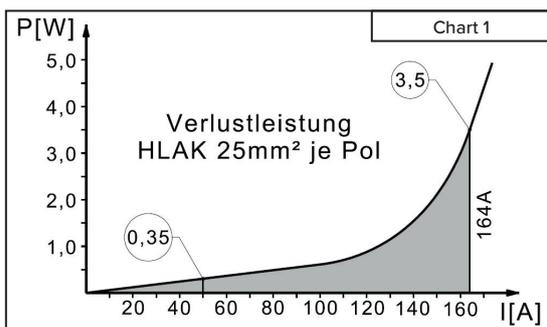
Materials: Terminal body: brass (CuZn39Pb2) bright

Housing: PA 6 (Halogen-free)

Screws: steel Zn thick-film passivated

Flame resistance: Self-extinguishing

Mechanical data: Dimensions: width x height x depth (mm): 24,8 x 49,3 x 55,7



Design

Basic housing colour – light grey RAL 7035

Part no.	Design	Cover colour	PU	GTIN (EAN)
080110-0-4	L "G"	light grey RAL 7035	5	4051589801102
080110-1-4	N	light blue RAL 5012	5	4051589801119
080110-2-4	PE	yellow-green RAL 6018	5	4051589801126
080110-3-4	L "B"	clay brown RAL 8003	5	4051589801133
080110-4-4	L "S"	jet black RAL 9005	5	4051589801140
080110-5-4	R	beige red RAL 3012	5	4051589801157

Technical data

Description:	Main Line Branch Terminal 25 mm ² „double block“ – 1 pole (Al/Cu)
Construction:	Model C – all-side fingersafe, modular system
Item no. :	080120-x-3

Remarks: The product is compliant with the EC ROHS directives

Standards: IEC 60947-7-1



Nominal Voltage: 1.000 V AC / 1.000 V DC

Nominal current: Cu 152 A (2x16mm²); 101 A (1x25mm²) as per IEC 60947-7-1
Al 100 A (1x25mm²)* as per IEC 61238-1 (Class A)

* Approved with Reko SFS 4880 (manufactured by Reka Cables Ltd)

Power loss: Tested by SGS Fimko Ltd (FI) (see chart 1)

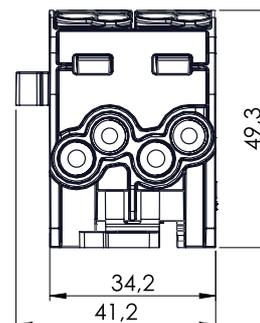
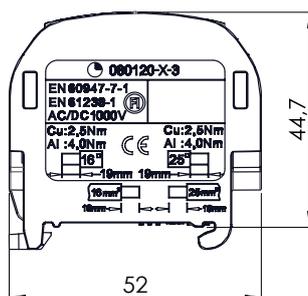
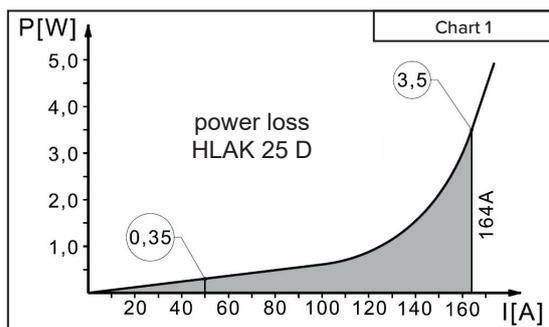
Terminal cross section:

	4 x 25 mm ² (round conductor)			4 x 16 mm ² (round conductor)		
	Cu		Al	Cu		Al
25 mm ²	2,5 Nm	-	4 Nm	-	-	-
16 mm ²	2,5 Nm	2,5 Nm	4 Nm	2,5 Nm	-	4 Nm
10 mm ²	2,5 Nm	2,5 Nm	-	2,5 Nm	2,5 Nm	-
6 mm ²	2,5 Nm	2,5 Nm	-	2,5 Nm	2,5 Nm	-
4 mm ²	2,5 Nm	2,5 Nm	-	2,5 Nm	2,5 Nm	-
2,5 mm ²	2,5 Nm	2,5 Nm	-	2,5 Nm	2,5 Nm	-
1,5 mm ²	-	2,5 Nm	-	-	2,5 Nm	-
stripping length	19 mm			19 mm		
screw	M6 (+/- PZ2)			M6 (+/- PZ2)		

Materials: Terminal body: brass (CuZn39Pb2) 3-4µm Ni / 7-10µm Sn
Housing: PA 6 (Halogen-free)
Screws: steel Zn thick-film passivated

Flame resistance: Self-extinguishing

Mechanical data: Dimensions: width x height x depth (mm): 49,9 x 49,3 x 55,4



Design

Basic housing colour – light grey RAL 7035

Part no.	Design	Cover colour	PU	GTIN (EAN)
080120-0-3	L "G"	light grey RAL 7035	2	4051589012034
080120-1-3	N	light blue RAL 5012	2	4051589012133
080120-2-3	PE	yellow-green RAL 6018	2	4051589012232
080120-3-3	L "B"	clay brown RAL 8003	2	4051589012331
080120-4-3	L "S"	jet black RAL 9005	2	4051589012430

Technical data

Description:	Main Line Branch Terminal 25 mm ² „double block“ – 1 pole (Cu)
Construction:	Model C – all-side fingersafe, modular system
Item no. :	080120-x-4

Remarks: The product is compliant with the EC ROHS directives

Standards: VDE Certification as per DIN VDE 0603-2, EN 60947-7-1



Nominal Voltage: 1.000 V AC / 1.000 V DC

Nominal current: Cu 152 A (2x16mm²); 101 A (1x25mm²) as per IEC 60947-7-1

Power loss: Tested by SGS Fimko Ltd (FI) (see chart 1)

Terminal cross section:

	4 x 25 mm ² (round conductor)		4 x 16 mm ² (round conductor)	
	Cu		Cu	
25 mm ²	2,5 Nm	-	-	-
16 mm ²	2,5 Nm	2,5 Nm	2,5 Nm	-
10 mm ²	2,5 Nm	2,5 Nm	2,5 Nm	2,5 Nm
6 mm ²	2,5 Nm	2,5 Nm	2,5 Nm	2,5 Nm
4 mm ²	2,5 Nm	2,5 Nm	2,5 Nm	2,5 Nm
2,5 mm ²	2,5 Nm	2,5 Nm	2,5 Nm	2,5 Nm
1,5 mm ²	-	2,5 Nm	-	2,5 Nm
stripping length	19 mm		19 mm	
screw	M6 (+/- PZ2)		M6 (+/- PZ2)	

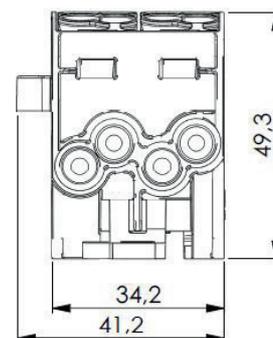
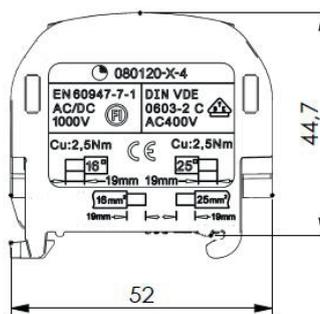
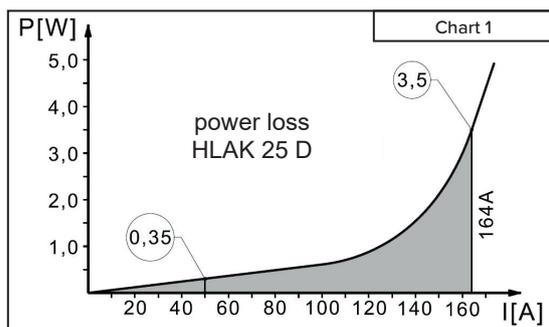
Materials: Terminal body: brass (CuZn39Pb2) bright

Housing: PA 6 (Halogen-free)

Screws: steel Zn thick-film passivated

Flame resistance: Self-extinguishing

Mechanical data: Dimensions: width x height x depth (mm): 41,2 x 49,3 x 52



Design

Basic housing colour – light grey RAL 7035

Part no.	Design	Cover colour	PU	GTIN (EAN)
080120-0-4	L "G"	light grey RAL 7035	2	4051589801201
080120-1-4	N	light blue RAL 5012	2	4051589801218
080120-2-4	PE	yellow-green RAL 6018	2	4051589801225
080120-3-4	L "B"	clay brown RAL 8003	2	4051589801232
080120-4-4	L "S"	jet black RAL 9005	2	4051589801249

HORA eTec GmbH

Lange Strasse 65, D - 32257 Bünde, Phone: +49 (0) 52 23 / 49 80 - 0

E-mail: info@hora-etec.com, Internet: www.hora-etec.com

Technical data

Description:	Main Line Branch Terminal 25 mm ² – 3 pole (Al/Cu)
Construction:	Model C – all-side fingersafe, modular system
Item no. :	080130-x-3

Remarks: The product is compliant with the EC ROHS directives

Standards: IEC 60947-7-1



Nominal Voltage: 1.000 V AC / 1.000 V DC

Nominal current: Cu 152 A (2x16mm²); 101 A (1x25mm²) as per IEC 60947-7-1
Al 100 A (1x25mm²)* as per IEC 61238-1 (Class A)

* Approved with Reko SFS 4880 (manufactured by Reka Cables Ltd)

Power loss: Tested by SGS Fimko Ltd (FI) (see chart 1)

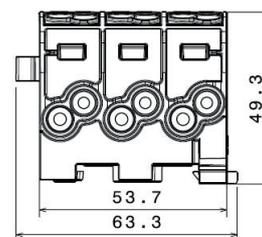
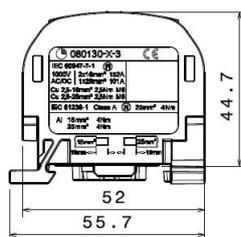
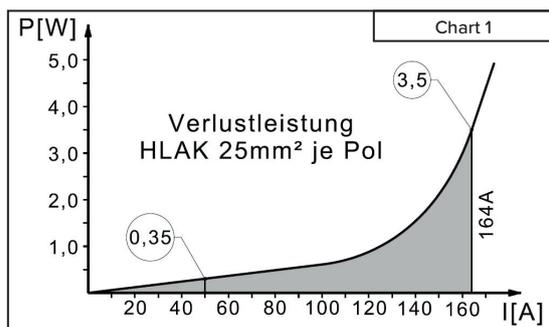
Terminal cross section:
(per pole)

	2 x 25 mm ² (round conductor)			2 x 16 mm ² (round conductor)		
	Cu		Al	Cu		Al
25 mm ²	2,5 Nm	-	4 Nm	-	-	-
16 mm ²	2,5 Nm	2,5 Nm	4 Nm	2,5 Nm	-	4 Nm
10 mm ²	2,5 Nm	2,5 Nm	-	2,5 Nm	2,5 Nm	-
6 mm ²	2,5 Nm	2,5 Nm	-	2,5 Nm	2,5 Nm	-
4 mm ²	2,5 Nm	2,5 Nm	-	2,5 Nm	2,5 Nm	-
2,5 mm ²	2,5 Nm	2,5 Nm	-	2,5 Nm	2,5 Nm	-
1,5 mm ²	-	2,5 Nm	-	-	2,5 Nm	-
stripping length	19 mm			19 mm		
screw	M6 (+/- PZ2)			M6 (+/- PZ2)		

Materials: Terminal body: brass (CuZn39Pb2) 3-4µm Ni / 7-10µm Sn
Housing: PA 6 (Halogen-free)
Screws: steel Zn thick-film passivated

Flame resistance: Self-extinguishing

Mechanical data: Dimensions: width x height x depth (mm): 63,3 x 49,3 x 55,7



Design

Basic housing colour – light grey RAL 7035

Part no.	Design	Cover colour			PU	GTIN (EAN)
080130-0-3	3L G				2	4051589013031
080130-1-3	L G / N / PE				2	4051589013130
080130-2-3	PE / L G / N				2	4051589013239
080130-3-3	2L G / N				2	4051589013338
080130-4-3	2L G / PE				2	4051589013437
080130-5-3	3L BSG				2	4051589013536

Technical data

Description:	Main Line Branch Terminal 25 mm ² – 3 pole (Cu)
Construction:	Model C – all-side fingersafe, modular system
Item no. :	080130-x-4

Remarks: The product is compliant with the EC ROHS directives

Standards: VDE Certification as per DIN VDE 0603-2, EN 60947-7-1



Nominal Voltage: 1.000 V AC / 1.000 V DC

Nominal current: Cu 152 A (2x16mm²); 101 A (1x25mm²) as per IEC 60947-7-1

Power loss: Tested by SGS Fimko Ltd (FI) (see chart 1)

Terminal cross section:
(per pole)

	2 x 25 mm ² (round conductor)		2 x 16 mm ² (round conductor)	
	Cu		Cu	
25 mm ²	2,5 Nm	-	-	-
16 mm ²	2,5 Nm	2,5 Nm	2,5 Nm	-
10 mm ²	2,5 Nm	2,5 Nm	2,5 Nm	2,5 Nm
6 mm ²	2,5 Nm	2,5 Nm	2,5 Nm	2,5 Nm
4 mm ²	2,5 Nm	2,5 Nm	2,5 Nm	2,5 Nm
2,5 mm ²	2,5 Nm	2,5 Nm	2,5 Nm	2,5 Nm
1,5 mm ²	-	2,5 Nm	-	2,5 Nm
stripping length	19 mm		19 mm	
screw	M6 (+/- PZ2)		M6 (+/- PZ2)	

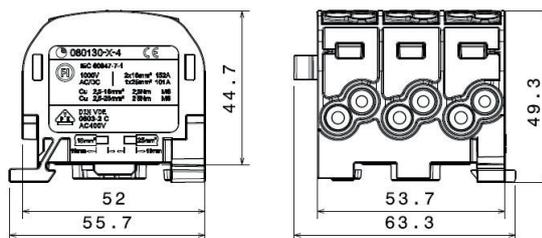
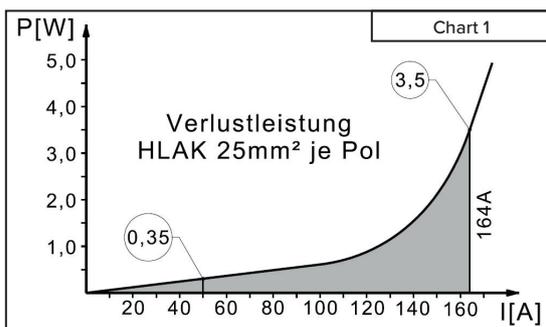
Materials: Terminal body: brass (CuZn39Pb2) bright

Housing: PA 6 (Halogen-free)

Screws: steel Zn thick-film passivated

Flame resistance: Self-extinguishing

Mechanical data: Dimensions: width x height x depth (mm): 63,3 x 49,3 x 55,7



Design

Basic housing colour – light grey RAL 7035

Part no.	Design	Cover colour	PU	GTIN (EAN)
080130-0-4	3L		2	4051589801300
080130-1-4	L / N / PE		2	4051589801317
080130-2-4	PE / L / N		2	4051589801324
080130-3-4	2L / N		2	4051589801331
080130-4-4	2L / PE		2	4051589801348
080130-5-4	3L BSG		2	4051589801355

Technical data

Description:	Main Line Branch Terminal 25 mm ² – 5 pole (Al/Cu)
Construction:	Model C – all-side fingersafe, modular system
Item no. :	080150-x-3

Remarks: The product is compliant with the EC ROHS directives

Standards: IEC 60947-7-1



Nominal Voltage: 1.000 V AC / 1.000 V DC

Nominal current: Cu 152 A (2x16mm²); 101 A (1x25mm²) as per IEC 60947-7-1
Al 100 A (1x25mm²)* as per IEC 61238-1 (Class A)

* Approved with Reko SFS 4880 (manufactured by Reka Cables Ltd)

Power loss: Tested by SGS Fimko Ltd (FI) (see chart 1)

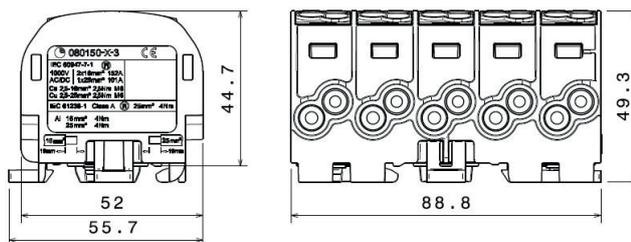
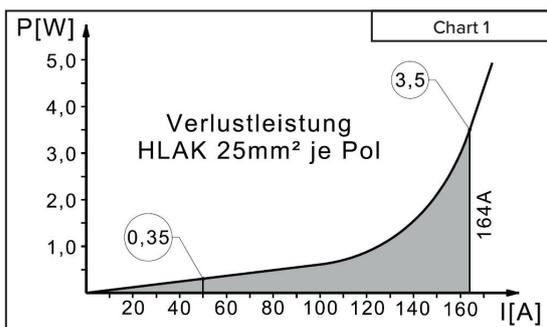
Terminal cross section:
(per pole)

	2 x 25 mm ² (round conductor)			2 x 16 mm ² (round conductor)		
	Cu		Al	Cu		Al
25 mm ²	2,5 Nm	-	4 Nm	-	-	-
16 mm ²	2,5 Nm	2,5 Nm	4 Nm	2,5 Nm	-	4 Nm
10 mm ²	2,5 Nm	2,5 Nm	-	2,5 Nm	2,5 Nm	-
6 mm ²	2,5 Nm	2,5 Nm	-	2,5 Nm	2,5 Nm	-
4 mm ²	2,5 Nm	2,5 Nm	-	2,5 Nm	2,5 Nm	-
2,5 mm ²	2,5 Nm	2,5 Nm	-	2,5 Nm	2,5 Nm	-
1,5 mm ²	-	2,5 Nm	-	-	2,5 Nm	-
stripping length	19 mm			19 mm		
screw	M6 (+/- PZ2)			M6 (+/- PZ2)		

Materials: Terminal body: brass (CuZn39Pb2) 3-4µm Ni / 7-10µm Sn
Housing: PA 6 (Halogen-free)
Screws: steel Zn thick-film passivated

Flame resistance: Self-extinguishing

Mechanical data: Dimensions: width x height x depth (mm): 88,8 x 49,3 x 55,7



Design

Basic housing colour – light grey RAL 7035

Part no.	Design	Cover colour	PU	GTIN (EAN)
080150-0-3	5L G		1	4051589015035
080150-1-3	3L G / N / PE		1	4051589015134
080150-2-3	N / 3L G / PE		1	4051589015233
080150-3-3	PE / 3L G / N		1	4051589015332
080150-4-3	PE / N / 3L G		1	4051589015431
080150-5-3	PE / 3L BSG / N		1	4051589015530

Technical data

Description:	Main Line Branch Terminal 25 mm ² – 5 pole (Cu)
Construction:	Model C – all-side fingersafe, modular system
Item no. :	080150-x-4

Remarks: The product is compliant with the EC ROHS directives

Standards: VDE Certification as per DIN VDE 0603-2, EN 60947-7-1



Nominal Voltage: 1.000 V AC / 1.000 V DC

Nominal current: Cu 152 A (2x16mm²); 101 A (1x25mm²) as per IEC 60947-7-1

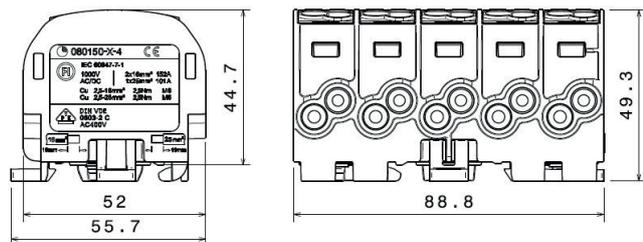
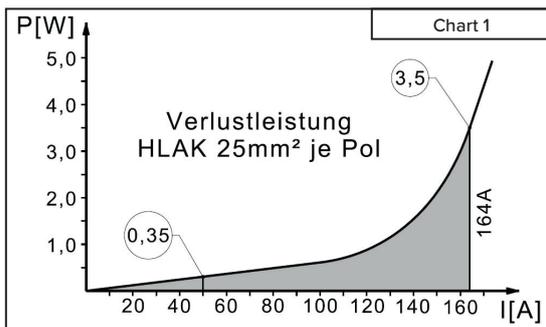
Power loss: Tested by SGS Fimko Ltd (FI) (see chart 1)

Terminal cross section: (per pole)	2 x 25 mm ² (round conductor)		2 x 16 mm ² (round conductor)	
	Cu		Cu	
25 mm ²	2,5 Nm	-	-	-
16 mm ²	2,5 Nm	2,5 Nm	2,5 Nm	-
10 mm ²	2,5 Nm	2,5 Nm	2,5 Nm	2,5 Nm
6 mm ²	2,5 Nm	2,5 Nm	2,5 Nm	2,5 Nm
4 mm ²	2,5 Nm	2,5 Nm	2,5 Nm	2,5 Nm
2,5 mm ²	2,5 Nm	2,5 Nm	2,5 Nm	2,5 Nm
1,5 mm ²	-	2,5 Nm	-	2,5 Nm
stripping length	19 mm		19 mm	
screw	M6 (+/- PZ2)		M6 (+/- PZ2)	

Materials:
Terminal body: brass (CuZn39Pb2) bright
Housing: PA 6 (Halogen-free)
Screws: steel Zn thick-film passivated

Flame resistance: Self-extinguishing

Mechanical data: Dimensions: width x height x depth (mm): 88,8 x 49,3 x 55,7



Design

Basic housing colour – light grey RAL 7035

Part no.	Design	Cover colour	PU	GTIN (EAN)
080150-0-4	5L		1	4051589801508
080150-1-4	3L / N / PE		1	4051589801515
080150-2-4	N / 3L / PE		1	4051589801522
080150-3-4	PE / 3L / N		1	4051589801539
080150-4-4	PE / N / 3L		1	4051589801546
080150-5-4	PE / 3L "BSG" / N		1	4051589801553

Technical data

Description:	Main Line Branch Terminal 35 mm ² – 1 pole (Al/Cu)
Construction:	Model C – all-side fingersafe, modular system
Item no. :	080210-x-3

Remarks: The product is compliant with the EC ROHS directives

Standards: IEC 60947-7-1



Nominal Voltage: 1.000 V AC / 1.000 V DC

Nominal current: Cu 202 A (2x25mm²); 125 A (1x35mm²) as per IEC 60947-7-1
Al 125 A (1x35mm²)* as per IEC 61238-1 (Class A)

* Approved with Reko SFS 4880 (manufactured by Reka Cables Ltd)

Power loss: Tested by SGS Fimko Ltd (FI) (see chart 1)

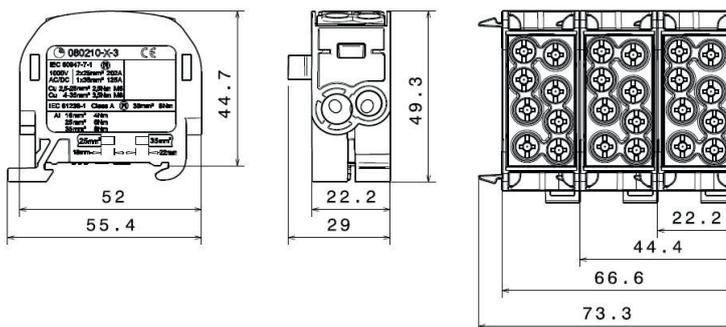
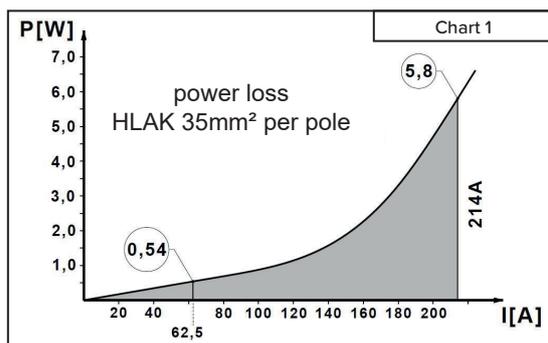
Terminal cross section:

	2 x 35 mm ² (Rundleiter)			2 x 25 mm ² (round conductor)		
	Cu		Al	Cu		Al
35 mm ²	3,5 Nm	-	8 Nm	-	-	-
25 mm ²	3,5 Nm	3,5 Nm	6 Nm	2,5 Nm	-	6 Nm
16 mm ²	3,5 Nm	3,5 Nm	4 Nm	2,5 Nm	2,5 Nm	4 Nm
10 mm ²	3,5 Nm	3,5 Nm	-	2,5 Nm	2,5 Nm	-
6 mm ²	3,5 Nm	3,5 Nm	-	2,5 Nm	2,5 Nm	-
4 mm ²	3,5 Nm	3,5 Nm	-	2,5 Nm	2,5 Nm	-
2,5 mm ²	-	3,5 Nm	-	2,5 Nm	2,5 Nm	-
1,5 mm ²	-	-	-	-	2,5 Nm	-
stripping length	22 mm			18 mm		
screw	M8 (+/- PZ2)			M6 (+/- PZ2)		

Materials: Terminal body: brass (CuZn39Pb2) 3-4µm Ni / 7-10µm Sn
Housing: PA 6 (Halogen-free)
Screws: steel Zn thick-film passivated

Flame resistance: Self-extinguishing

Mechanical data: Dimensions: width x height x depth (mm): 29 x 49,3 x 55,4



Design

Basic housing colour – light grey RAL 7035

Part no.	Design	Cover colour	PU	GTIN (EAN)
080210-0-3	L "G"	light grey RAL 7035	5	4051589021036
080210-1-3	N	light blue RAL 5012	5	4051589021135
080210-2-3	PE	yellow-green RAL 6018	5	4051589021234
080210-3-3	L "B"	clay brown RAL 8003	5	4051589021333
080210-4-3	L "S"	jet black RAL 9005	5	4051589021432
080210-5-3	R	beige red RAL 3012	5	4051589021531

HORA eTec GmbH

Lange Strasse 65, D - 32257 Bünde, Phone: +49 (0) 52 23 / 49 80 - 0

E-mail: info@hora-etec.com, Internet: www.hora-etec.com

Technical data

Description:	Main Line Branch Terminal 35 mm ² – 1 pole (Cu)
Construction:	Model C – all-side fingersafe, modular system
Item no. :	080210-x-4

Remarks: The product is compliant with the EC ROHS directives

Standards: VDE Certification as per DIN VDE 0603-2, EN 60947-7-1



Nominal Voltage: 1.000 V AC / 1.000 V DC

Nominal current: Cu 202 A (2x25mm²); 125 A (1x35mm²) as per IEC 60947-7-1

Power loss: Tested by SGS Fimko Ltd (FI) (see chart 1)

Terminal cross section:

	2 x 35 mm ² (Rundleiter)		2 x 25 mm ² (round conductor)	
	Cu		Cu	
35 mm ²	3,5 Nm	-	-	-
25 mm ²	3,5 Nm	3,5 Nm	2,5 Nm	-
16 mm ²	3,5 Nm	3,5 Nm	2,5 Nm	2,5 Nm
10 mm ²	3,5 Nm	3,5 Nm	2,5 Nm	2,5 Nm
6 mm ²	3,5 Nm	3,5 Nm	2,5 Nm	2,5 Nm
4 mm ²	3,5 Nm	3,5 Nm	2,5 Nm	2,5 Nm
2,5 mm ²	-	3,5 Nm	2,5 Nm	2,5 Nm
1,5 mm ²	-	-	-	2,5 Nm
stripping length	22 mm		18 mm	
screw	M8 (+/- PZ2)		M6 (+/- PZ2)	

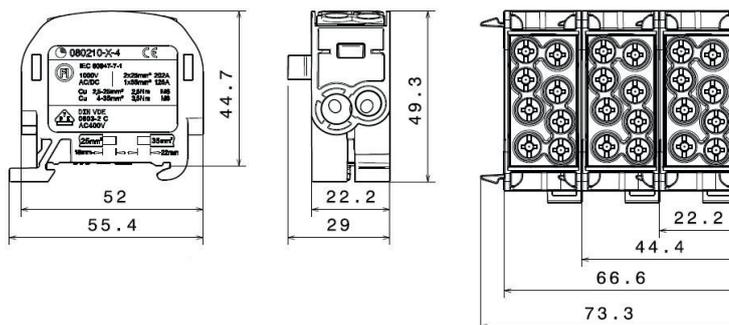
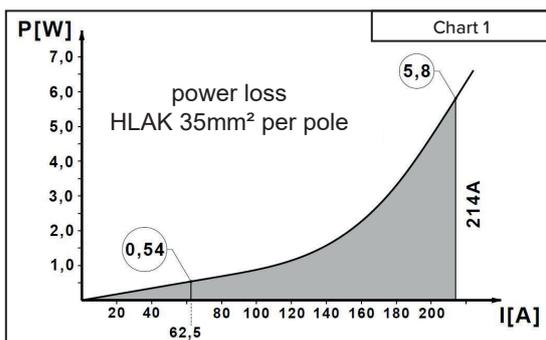
Materials: Terminal body: brass (CuZn39Pb2) bright

Housing: PA 6 (Halogen-free)

Screws: steel Zn thick-film passivated

Flame resistance: Self-extinguishing

Mechanical data: Dimensions: width x height x depth (mm): 29 x 49,3 x 55,4



Design

Basic housing colour – light grey RAL 7035

Part no.	Design	Cover colour	PU	GTIN (EAN)
080210-0-4	L "G"	light grey RAL 7035	5	4051589802109
080210-1-4	N	light blue RAL 5012	5	4051589802116
080210-2-4	PE	yellow-green RAL 6018	5	4051589802123
080210-3-4	L "B"	clay brown RAL 8003	5	4051589802130
080210-4-4	L "S"	jet black RAL 9005	5	4051589802147
080210-5-4	R	beige red RAL 3012	5	4051589802154

Technical data

Description:	Main Line Branch Terminal 35 mm ² „double block“ – 1 pole (Al/Cu)
Construction:	Model C – all-side fingersafe, modular system
Item no. :	080220-x-3

Remarks: The product is compliant with the EC ROHS directives

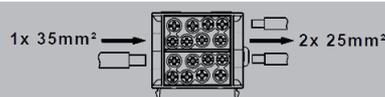
Standards: IEC 60947-7-1



Nominal Voltage: 1.000 V AC / 1.000 V DC

Nominal current: Cu 428 A (4x25mm²); 125 A (1x35mm²) as per IEC 60947-7-1

Al 125 A (1x35mm²)+ as per IEC 61238-1 (Class A)



* Approved with Reko SFS 4880 (manufactured by Reka Cables Ltd)

Power loss: Tested by SGS Fimko Ltd (FI) (see chart 1)

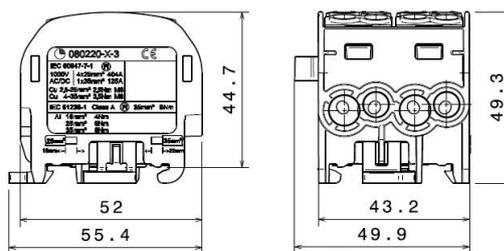
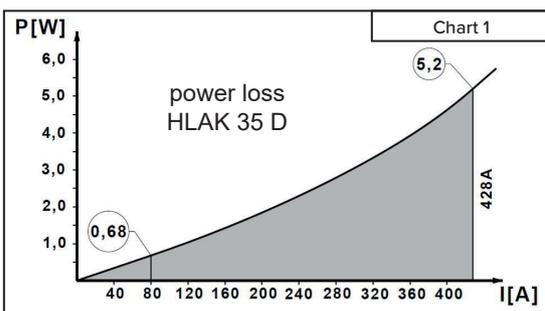
Terminal cross section:

	4 x 35 mm ² (round conductor)			4 x 25 mm ² (round conductor)		
		Cu	Al		Cu	Al
35 mm ²	3,5 Nm	-	8 Nm	-	-	-
25 mm ²	3,5 Nm	3,5 Nm	6 Nm	2,5 Nm	-	6 Nm
16 mm ²	3,5 Nm	3,5 Nm	4 Nm	2,5 Nm	2,5 Nm	4 Nm
10 mm ²	3,5 Nm	3,5 Nm	-	2,5 Nm	2,5 Nm	-
6 mm ²	3,5 Nm	3,5 Nm	-	2,5 Nm	2,5 Nm	-
4 mm ²	3,5 Nm	3,5 Nm	-	2,5 Nm	2,5 Nm	-
2,5 mm ²	-	3,5 Nm	-	2,5 Nm	2,5 Nm	-
1,5 mm ²	-	-	-	-	2,5 Nm	-
stripping length	22 mm			18 mm		
screw	M8 (+/- PZ2)			M6 (+/- PZ2)		

Materials: Terminal body: brass (CuZn39Pb2) 3-4µm Ni / 7-10µm Sn
Housing: PA 6 (Halogen-free)
Screws: steel Zn thick-film passivated

Flame resistance: Self-extinguishing

Mechanical data: Dimensions: width x height x depth (mm): 49,9 x 49,3 x 55,4



Design

Basic housing colour – light grey RAL 7035

Part no.	Design	Cover colour	PU	GTIN (EAN)
080220-0-3	L "G"	light grey RAL 7035	2	4051589022033
080220-1-3	N	light blue RAL 5012	2	4051589022132
080220-2-3	PE	yellow-green RAL 6018	2	4051589022231
080220-3-3	L "B"	clay brown RAL 8003	2	4051589022330
080220-4-3	L "S"	jet black RAL 9005	2	4051589022439
080220-5-3	R	beige red RAL 3012	2	4051589022538

HORA eTec GmbH

Lange Strasse 65, D - 32257 Bünde, Phone: +49 (0) 52 23 / 49 80 - 0

E-mail: info@hora-etec.com, Internet: www.hora-etec.com

Technical data

Description:	Main Line Branch Terminal 35 mm ² „double block“ – 1 pole (Cu)
Construction:	Model C – all-side fingersafe, modular system
Item no. :	080220-x-4

Remarks: The product is compliant with the EC ROHS directives

Standards: VDE Certification as per DIN VDE 0603-2, EN 60947-7-1



Nominal Voltage: 1.000 V AC / 1.000 V DC

Nominal current: Cu 428 A (4x25mm²); 125 A (1x35mm²) as per IEC 60947-7-1

Power loss: Tested by SGS Fimko Ltd (FI) (see chart 1)

Terminal cross section:

	4 x 35 mm ² (round conductor)		4 x 25 mm ² (round conductor)	
	Cu		Cu	
35 mm ²	3,5 Nm	-	-	-
25 mm ²	3,5 Nm	3,5 Nm	2,5 Nm	-
16 mm ²	3,5 Nm	3,5 Nm	2,5 Nm	2,5 Nm
10 mm ²	3,5 Nm	3,5 Nm	2,5 Nm	2,5 Nm
6 mm ²	3,5 Nm	3,5 Nm	2,5 Nm	2,5 Nm
4 mm ²	3,5 Nm	3,5 Nm	2,5 Nm	2,5 Nm
2,5 mm ²	-	3,5 Nm	2,5 Nm	2,5 Nm
1,5 mm ²	-	-	-	2,5 Nm
stripping length	22 mm		18 mm	
screw	M8 (+/- PZ2)		M6 (+/- PZ2)	

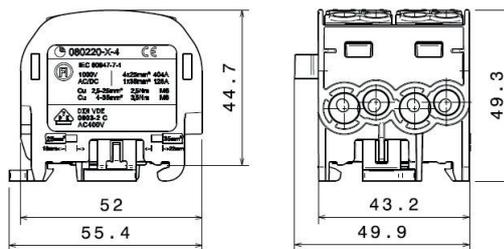
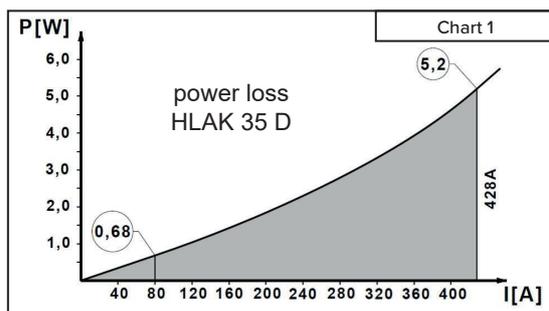
Materials: Terminal body: brass (CuZn39Pb2) bright

Housing: PA 6 (Halogen-free)

Screws: steel Zn thick-film passivated

Flame resistance: Self-extinguishing

Mechanical data: Dimensions: width x height x depth (mm): 49,9 x 49,3 x 55,4



Design

Basic housing colour – light grey RAL 7035

Part no.	Design	Cover colour	PU	GTIN (EAN)
080220-0-4	L "G"	light grey RAL 7035	2	4051589802208
080220-1-4	N	light blue RAL 5012	2	4051589802215
080220-2-4	PE	yellow-green RAL 6018	2	4051589802222
080220-3-4	L "B"	clay brown RAL 8003	2	4051589802239
080220-4-4	L "S"	jet black RAL 9005	2	4051589802246
080220-5-4	R	beige red RAL 3012	2	4051589802253

Technical data

Description:	Main Line Branch Terminal 35 mm ² – 3 pole (Al/Cu)
Construction:	Model C – all-side fingersafe, modular system
Item no. :	080230-x-3

Remarks: The product is compliant with the EC ROHS directives

Standards: IEC 60947-7-1



Nominal Voltage: 1.000 V AC / 1.000 V DC

Nominal current: Cu 202 A (2x25mm²); 125 A (1x35mm²) as per IEC 60947-7-1
Al 125 A (1x35mm²)* as per IEC 61238-1 (Class A)

* Approved with Reko SFS 4880 (manufactured by Reka Cables Ltd)

Power loss: Tested by SGS Fimko Ltd (FI) (see chart 1)

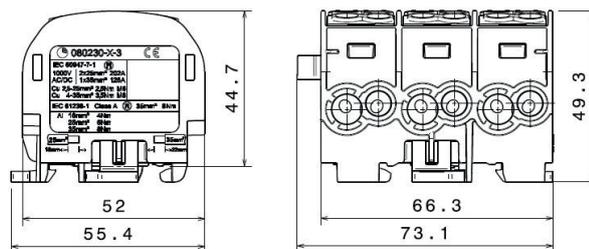
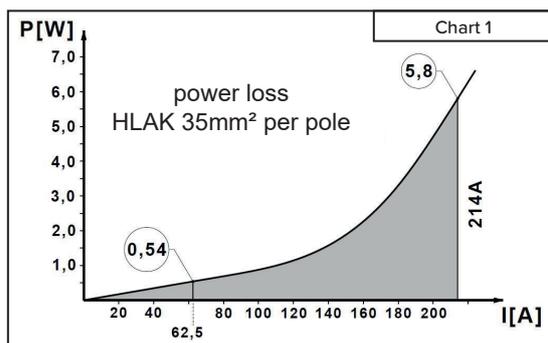
Terminal cross section:
(per pole)

	2 x 35 mm ² (Rundleiter)			2 x 25 mm ² (round conductor)		
	Cu		Al	Cu		Al
35 mm ²	3,5 Nm	-	8 Nm	-	-	-
25 mm ²	3,5 Nm	3,5 Nm	6 Nm	2,5 Nm	-	6 Nm
16 mm ²	3,5 Nm	3,5 Nm	4 Nm	2,5 Nm	2,5 Nm	4 Nm
10 mm ²	3,5 Nm	3,5 Nm	-	2,5 Nm	2,5 Nm	-
6 mm ²	3,5 Nm	3,5 Nm	-	2,5 Nm	2,5 Nm	-
4 mm ²	3,5 Nm	3,5 Nm	-	2,5 Nm	2,5 Nm	-
2,5 mm ²	-	3,5 Nm	-	2,5 Nm	2,5 Nm	-
1,5 mm ²	-	-	-	-	2,5 Nm	-
stripping length	22 mm			18 mm		
screw	M8 (+/- PZ2)			M6 (+/- PZ2)		

Materials: Terminal body: brass (CuZn39Pb2) 3-4µm Ni / 7-10µm Sn
Housing: PA 6 (Halogen-free)
Screws: steel Zn thick-film passivated

Flame resistance: Self-extinguishing

Mechanical data: Dimensions: width x height x depth (mm): 73,1 x 49,3 x 55,4



Design

Basic housing colour – light grey RAL 7035

Part no.	Design	Cover colour	PU	GTIN (EAN)
080230-0-3	3L		-	4051589023030
080230-1-3	L / N / PE		-	4051589023139
080230-2-3	PE / L / N		-	4051589023238
080230-3-3	2L / N		-	4051589023337
080230-4-3	2L / PE		-	4051589023436

HORA eTec GmbH

Lange Strasse 65, D - 32257 Bünde, Phone: +49 (0) 52 23 / 49 80 - 0

E-mail: info@hora-etec.com, Internet: www.hora-etec.com

Technical data

Description:	Main Line Branch Terminal 35 mm ² – 3 pole (Cu)
Construction:	Model C – all-side fingersafe, modular system
Item no. :	080230-x-4

Remarks: The product is compliant with the EC ROHS directives

Standards: VDE Certification as per DIN VDE 0603-2, EN 60947-7-1



Nominal Voltage: 1.000 V AC / 1.000 V DC

Nominal current: Cu 202 A (2x25mm²); 125 A (1x35mm²) as per IEC 60947-7-1

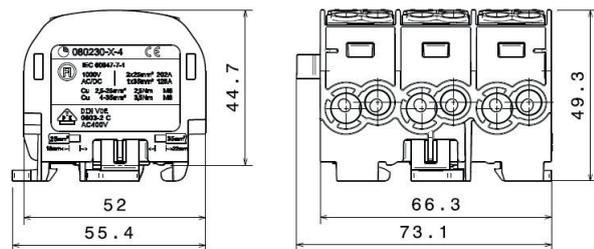
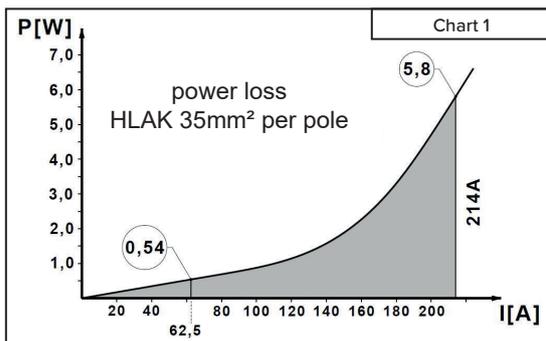
Power loss: Tested by SGS Fimko Ltd (FI) (see chart 1)

Terminal cross section: (per pole)	2 x 35 mm ² (Rundleiter)		2 x 25 mm ² (round conductor)	
	Cu		Cu	
35 mm ²	3,5 Nm	-	-	-
25 mm ²	3,5 Nm	3,5 Nm	2,5 Nm	-
16 mm ²	3,5 Nm	3,5 Nm	2,5 Nm	2,5 Nm
10 mm ²	3,5 Nm	3,5 Nm	2,5 Nm	2,5 Nm
6 mm ²	3,5 Nm	3,5 Nm	2,5 Nm	2,5 Nm
4 mm ²	3,5 Nm	3,5 Nm	2,5 Nm	2,5 Nm
2,5 mm ²	-	3,5 Nm	2,5 Nm	2,5 Nm
1,5 mm ²	-	-	-	2,5 Nm
stripping length	22 mm		18 mm	
screw	M8 (+/- PZ2)		M6 (+/- PZ2)	

Materials: Terminal body: brass (CuZn39Pb2) bright
Housing: PA 6 (Halogen-free)
Screws: steel Zn thick-film passivated

Flame resistance: Self-extinguishing

Mechanical data: Dimensions: width x height x depth (mm): 73,1 x 49,3 x 55,4



Design						
Basic housing colour – light grey RAL 7035						
Part no.	Design	Cover colour			PU	GTIN (EAN)
080230-0-4	3L				-	4051589802307
080230-1-4	L / N / PE				-	4051589802314
080230-2-4	PE / L / N				-	4051589802321
080230-3-4	2L / N				-	4051589802338
080230-4-4	2L / PE				-	4051589802345

Technical data

Description:	Main Line Branch Terminal 35 mm ² – 5 pole (Al/Cu)
Construction:	Model C – all-side fingersafe, modular system
Item no. :	080250-x-3

Remarks: The product is compliant with the EC ROHS directives

Standards: IEC 60947-7-1

Nominal Voltage: 1.000 V AC / 1.000 V DC

Nominal current: Cu 202 A (2x25mm²); 125 A (1x35mm²) as per IEC 60947-7-1
 Al 125 A (1x35mm²)* as per IEC 61238-1 (Class A)

* Approved with Reko SFS 4880 (manufactured by Reka Cables Ltd)

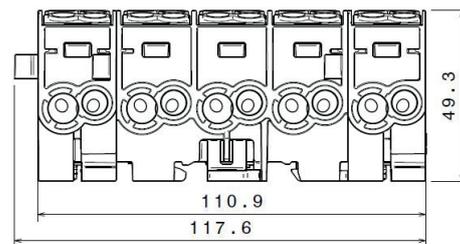
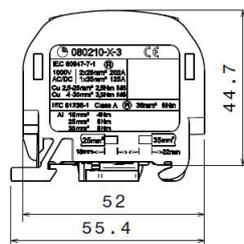
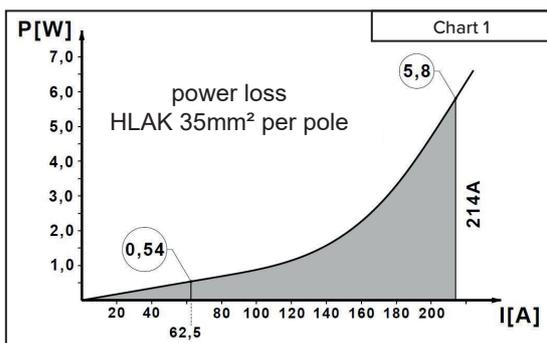
Power loss: Tested by SGS Fimko Ltd (see chart 1)

Terminal cross section: (per pole)	2 x 35 mm ² (Rundleiter)			2 x 25 mm ² (round conductor)		
	Cu		Al	Cu		Al
	35 mm ²				-	-
25 mm ²	3,5 Nm	3,5 Nm	6 Nm	2,5 Nm	-	6 Nm
16 mm ²	3,5 Nm	3,5 Nm	4 Nm	2,5 Nm	2,5 Nm	4 Nm
10 mm ²	3,5 Nm	3,5 Nm	-	2,5 Nm	2,5 Nm	-
6 mm ²	3,5 Nm	3,5 Nm	-	2,5 Nm	2,5 Nm	-
4 mm ²	3,5 Nm	3,5 Nm	-	2,5 Nm	2,5 Nm	-
2,5 mm ²	-	3,5 Nm	-	2,5 Nm	2,5 Nm	-
1,5 mm ²	-	-	-	-	2,5 Nm	-
stripping length	22 mm			18 mm		
screw	M8 (+/- PZ2)			M6 (+/- PZ2)		

Materials: Terminal body: brass (CuZn39Pb2) 3-4µm Ni / 7-10µm Sn
 Housing: PA 6 (Halogen-free)
 Screws: steel Zn thick-film passivated

Flame resistance: Self-extinguishing

Mechanical data: Dimensions: width x height x depth (mm): 117,6 x 49,3 x 55,4



Design

Basic housing colour – light grey RAL 7035

Part no.	Design	Cover colour	PU	GTIN (EAN)
080250-0-3	5L		1	4051589025034
080250-1-3	3L / N / PE		1	4051589025133
080250-2-3	N / 3L / PE		1	4051589025232
080250-3-3	PE / 3L / N		1	4051589025331
080250-4-3	3L / PE / N		1	4051589025430
080250-5-3	PE / 3L "BSG" / N		1	4051589025539

Technical data

Description:	Main Line Branch Terminal 35 mm ² – 5 pole (Cu)
Construction:	Model C – all-side fingersafe, modular system
Item no. :	080250-x-4

Remarks: The product is compliant with the EC ROHS directives

Standards: VDE Certification as per DIN VDE 0603-2, EN 60947-7-1



Nominal Voltage: 1.000 V AC / 1.000 V DC

Nominal current: Cu 202 A (2x25mm²); 125 A (1x35mm²) as per IEC 60947-7-1

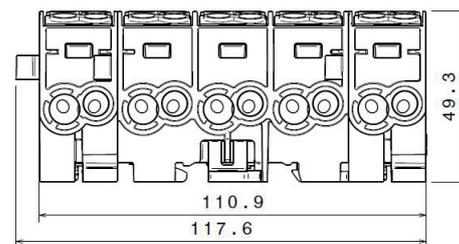
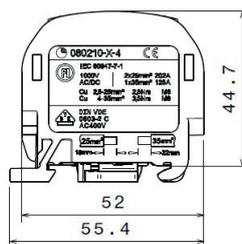
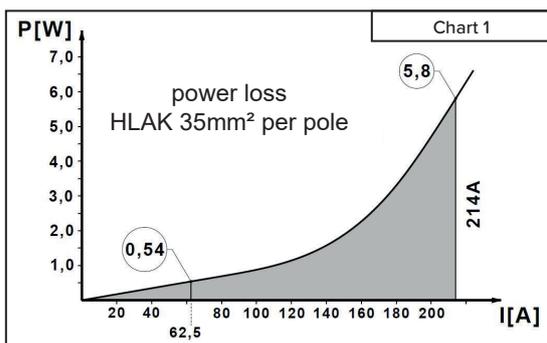
Power loss: Tested by SGS Fimko Ltd (FI) (see chart 1)

Terminal cross section: (per pole)	2 x 35 mm ² (Rundleiter)		2 x 25 mm ² (round conductor)	
	Cu		Cu	
35 mm ²	3,5 Nm	-	-	-
25 mm ²	3,5 Nm	3,5 Nm	2,5 Nm	-
16 mm ²	3,5 Nm	3,5 Nm	2,5 Nm	2,5 Nm
10 mm ²	3,5 Nm	3,5 Nm	2,5 Nm	2,5 Nm
6 mm ²	3,5 Nm	3,5 Nm	2,5 Nm	2,5 Nm
4 mm ²	3,5 Nm	3,5 Nm	2,5 Nm	2,5 Nm
2,5 mm ²	-	3,5 Nm	2,5 Nm	2,5 Nm
1,5 mm ²	-	-	-	2,5 Nm
stripping length	22 mm		18 mm	
screw	M8 (+/- PZ2)		M6 (+/- PZ2)	

Materials: Terminal body: brass (CuZn39Pb2) bright
Housing: PA 6 (Halogen-free)
Screws: steel Zn thick-film passivated

Flame resistance: Self-extinguishing

Mechanical data: Dimensions: width x height x depth (mm): 117,6 x 49,3 x 55,4



Design

Basic housing colour – light grey RAL 7035

Part no.	Design	Cover colour	PU	GTIN (EAN)
080250-0-4	5L		1	4051589802505
080250-1-4	3L / N / PE		1	4051589802512
080250-2-4	N / 3L / PE		1	4051589802529
080250-3-4	PE / 3L / N		1	4051589802536
080250-4-4	3L / PE / N		1	4051589802543
080250-5-4	PE / 3L "BSG" / N		1	4051589802550

Technical data

Description:	Main Line Branch Terminal 70 mm ² – 1 pole (Al/Cu)
Construction:	Model C – all-side fingersafe, modular system
Item no. :	080310-x-3

Remarks: The product is compliant with the EC ROHS directives

Standards: IEC 60947-7-1



Nominal Voltage: 1.000 V AC / 1.000 V DC

Nominal current: Cu 300 A (2x50mm²); 192 A (1x70mm²) as per IEC 60947-7-1
Al 300 A (2x50mm²)* as per IEC 61238-1 (Class A)

* Approved with Reko SFS 4880 (manufactured by Reka Cables Ltd)

Power loss: Tested by SGS Fimko Ltd (FI) (see chart 1)

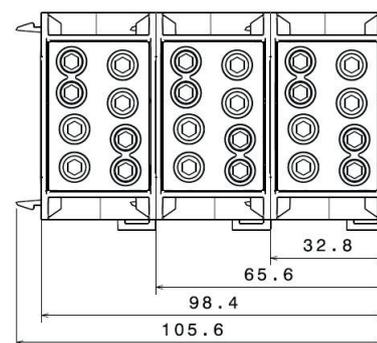
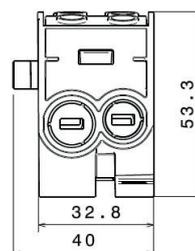
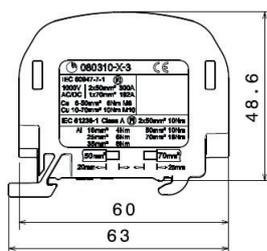
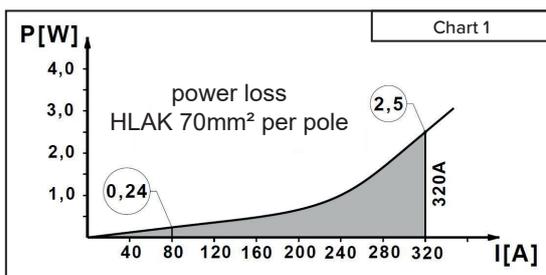
Terminal cross section:

	2 x 70 mm ² (round conductor)			2 x 50 mm ² (round conductor)		
	Cu		Al	Cu		Al
70 mm ²	10 Nm	-	18 Nm	-	-	-
50 mm ²	10 Nm	10 Nm	10 Nm	6 Nm	-	10 Nm
35 mm ²	10 Nm	10 Nm	8 Nm	6 Nm	6 Nm	8 Nm
25 mm ²	10 Nm	10 Nm	6 Nm	6 Nm	6 Nm	6 Nm
16 mm ²	10 Nm	10 Nm	4 Nm	6 Nm	6 Nm	4 Nm
10 mm ²	10 Nm	10 Nm	-	6 Nm	6 Nm	-
6 mm ²	-	10 Nm	-	6 Nm	6 Nm	-
4 mm ²	-	-	-	-	6 Nm	-
stripping length	25 mm			20 mm		
screw	M10 (SW 4 mm)			M8 (SW 4 mm)		

Materials: Terminal body: brass (CuZn39Pb2) 3-4µm Ni / 7-10µm Sn
Housing: PA 6 (Halogen-free)
Screws: steel Zn thick-film passivated

Flame resistance: Self-extinguishing

Mechanical data: Dimensions: width x height x depth (mm): 40 x 53,3 x 63



Design

Basic housing colour – light grey RAL 7035

Part no.	Design	Cover colour	PU	GTIN (EAN)
080310-0-3	L "G"	light grey RAL 7035	3	4051589031035
080310-1-3	N	light blue RAL 5012	3	4051589031134
080310-2-3	PE	yellow-green RAL 6018	3	4051589031233
080310-3-3	L "B"	clay brown RAL 8003	3	4051589031332
080310-4-3	L "S"	jet black RAL 9005	3	4051589031431
080310-5-3	R	beige red RAL 3012	3	4051589031530

Technical data

Description:	Main Line Branch Terminal 70 mm ² – 1 pole (Cu)
Construction:	Model C – all-side fingersafe, modular system
Item no. :	080310-x-4

Remarks: The product is compliant with the EC ROHS directives

Standards: VDE Certification as per DIN VDE 0603-2, EN 60947-7-1



Nominal Voltage: 1.000 V AC / 1.000 V DC

Nominal current: Cu 300 A (2x50mm²); 192 A (1x70mm²) as per IEC 60947-7-1

Power loss: Tested by SGS Fimko Ltd (FI) (see chart 1)

Terminal cross section:

	2 x 70 mm ² (round conductor)		2 x 50 mm ² (round conductor)	
	Cu		Cu	
70 mm ²	10 Nm	-	-	-
50 mm ²	10 Nm	10 Nm	6 Nm	-
35 mm ²	10 Nm	10 Nm	6 Nm	6 Nm
25 mm ²	10 Nm	10 Nm	6 Nm	6 Nm
16 mm ²	10 Nm	10 Nm	6 Nm	6 Nm
10 mm ²	10 Nm	10 Nm	6 Nm	6 Nm
6 mm ²	-	10 Nm	6 Nm	6 Nm
4 mm ²	-	-	-	6 Nm
stripping length	25 mm		20 mm	
screw	M10 (SW 4 mm)		M8 (SW 4 mm)	

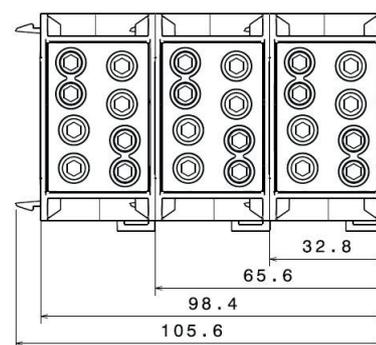
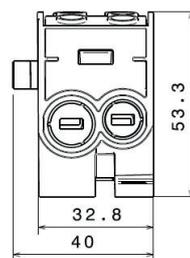
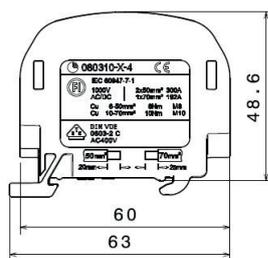
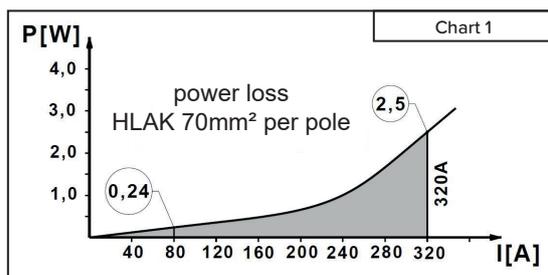
Materials: Terminal body: brass (CuZn39Pb2) bright

Housing: PA 6 (Halogen-free)

Screws: steel Zn thick-film passivated

Flame resistance: Self-extinguishing

Mechanical data: Dimensions: width x height x depth (mm): 40 x 53,3 x 63



Design

Basic housing colour – light grey RAL 7035

Part no.	Design	Cover colour	PU	GTIN (EAN)
080310-0-4	L "G"	light grey RAL 7035	3	4051589803106
080310-1-4	N	light blue RAL 5012	3	4051589803113
080310-2-4	PE	yellow-green RAL 6018	3	4051589803120
080310-3-4	L "B"	clay brown RAL 8003	3	4051589803137
080310-4-4	L "S"	jet black RAL 9005	3	4051589803144
080310-5-4	R	beige red RAL 3012	3	4051589803151