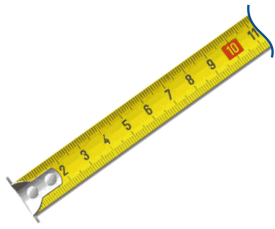


Safety



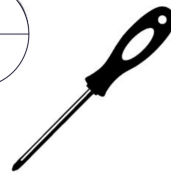
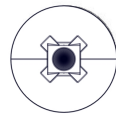
Tools



mm



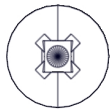
PH-2



SR-1



#10



SR-1



PZ-2

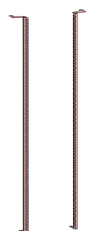
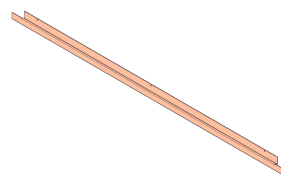
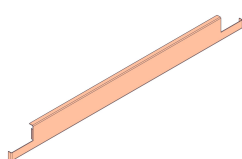
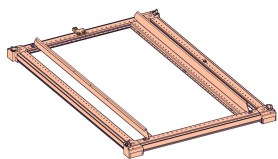
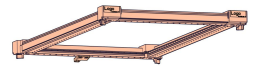
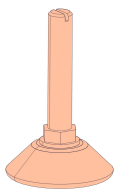


#13

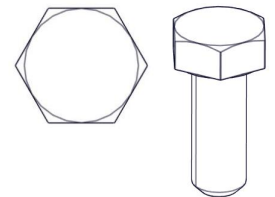
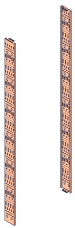
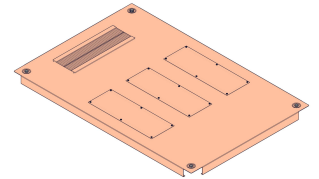
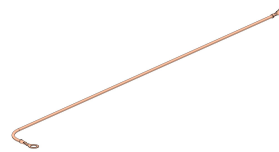
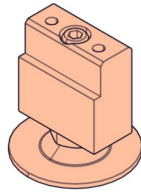
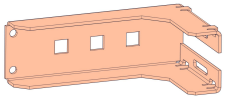
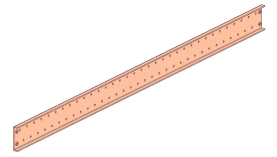
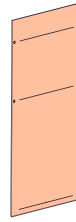
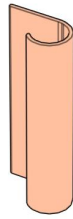
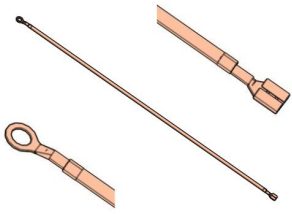


#17

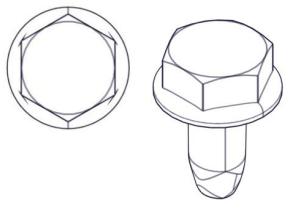
Components



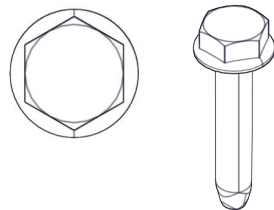
Components



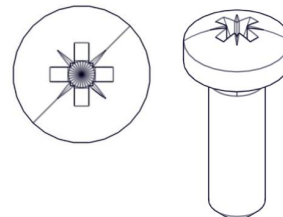
M10 x 16 (#17)



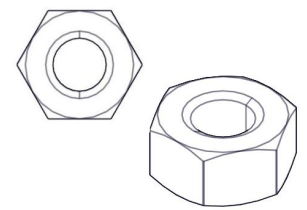
M6 x 12 (#10)



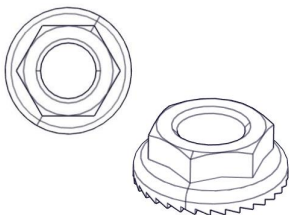
M6 x 30 (#10)



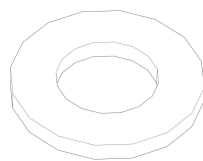
M5 x 12 (PZ-2)



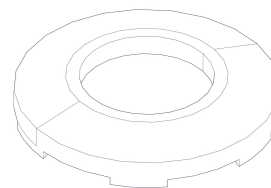
M10 (#17)



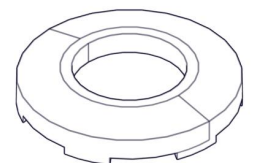
M5 (#8)



M10

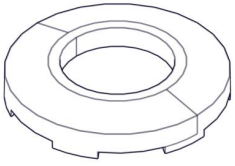


M10

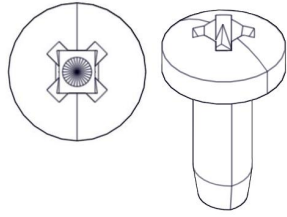


M5

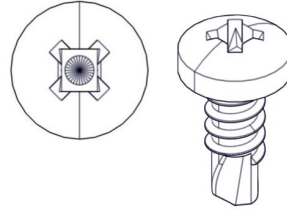
Components



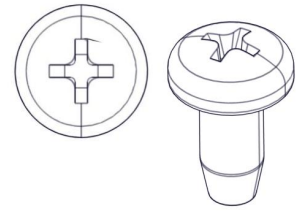
M6



M4 x 10 (SR-1)

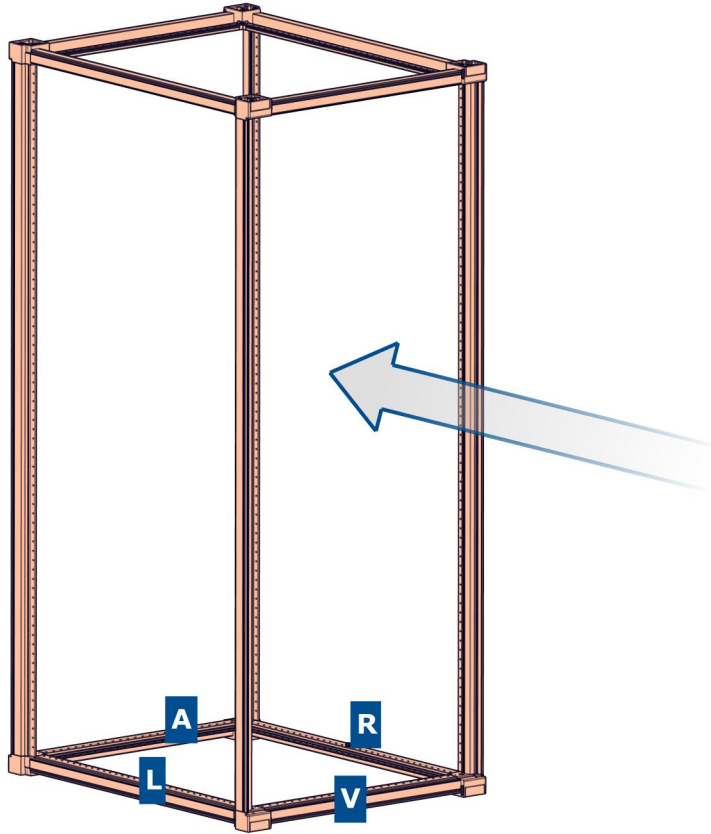


ST4.2 x 13 (SR-1)



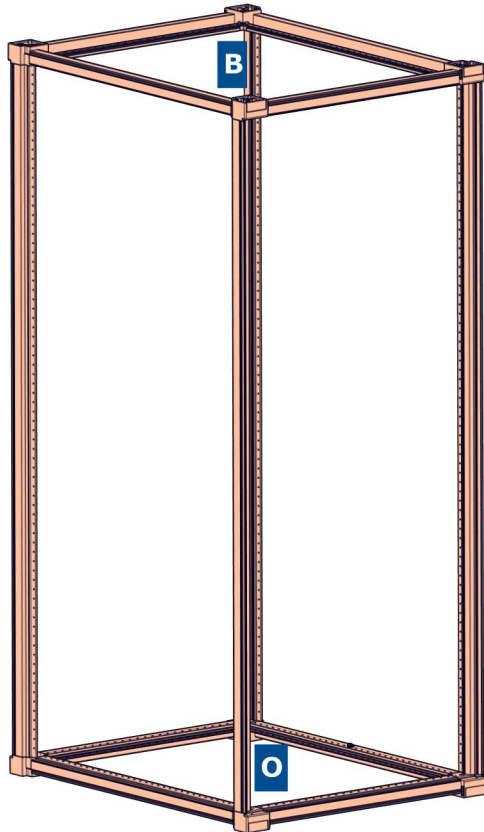
ST4 8 x 10 (PH-2)

1.1



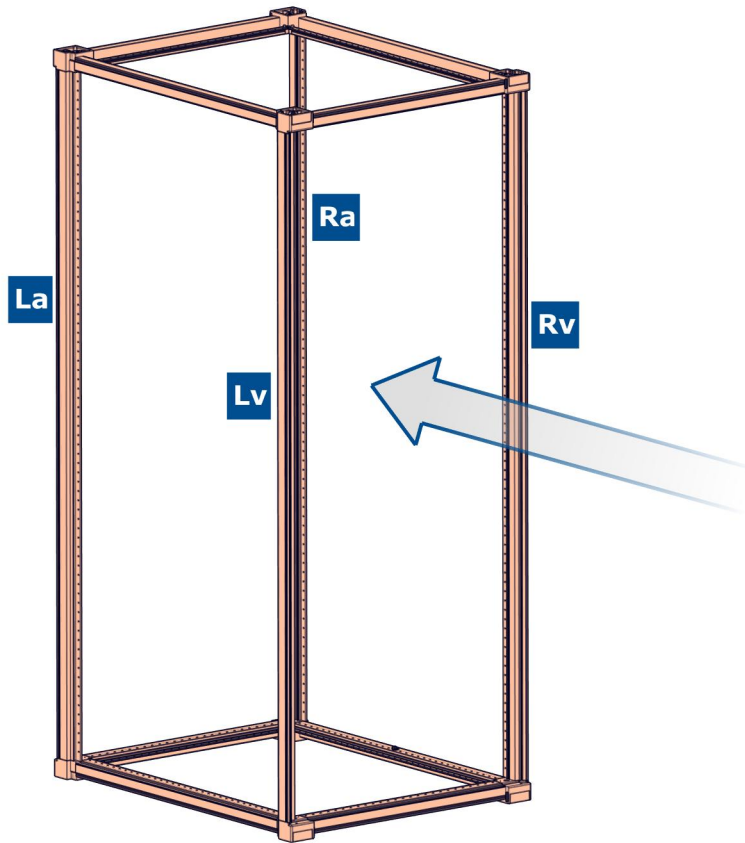
P-00169-3/000447-1

1.2



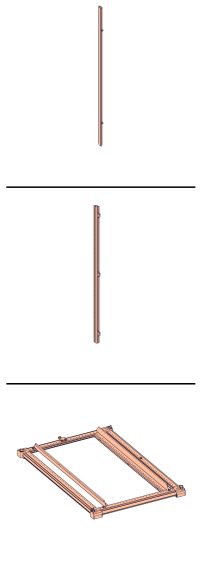
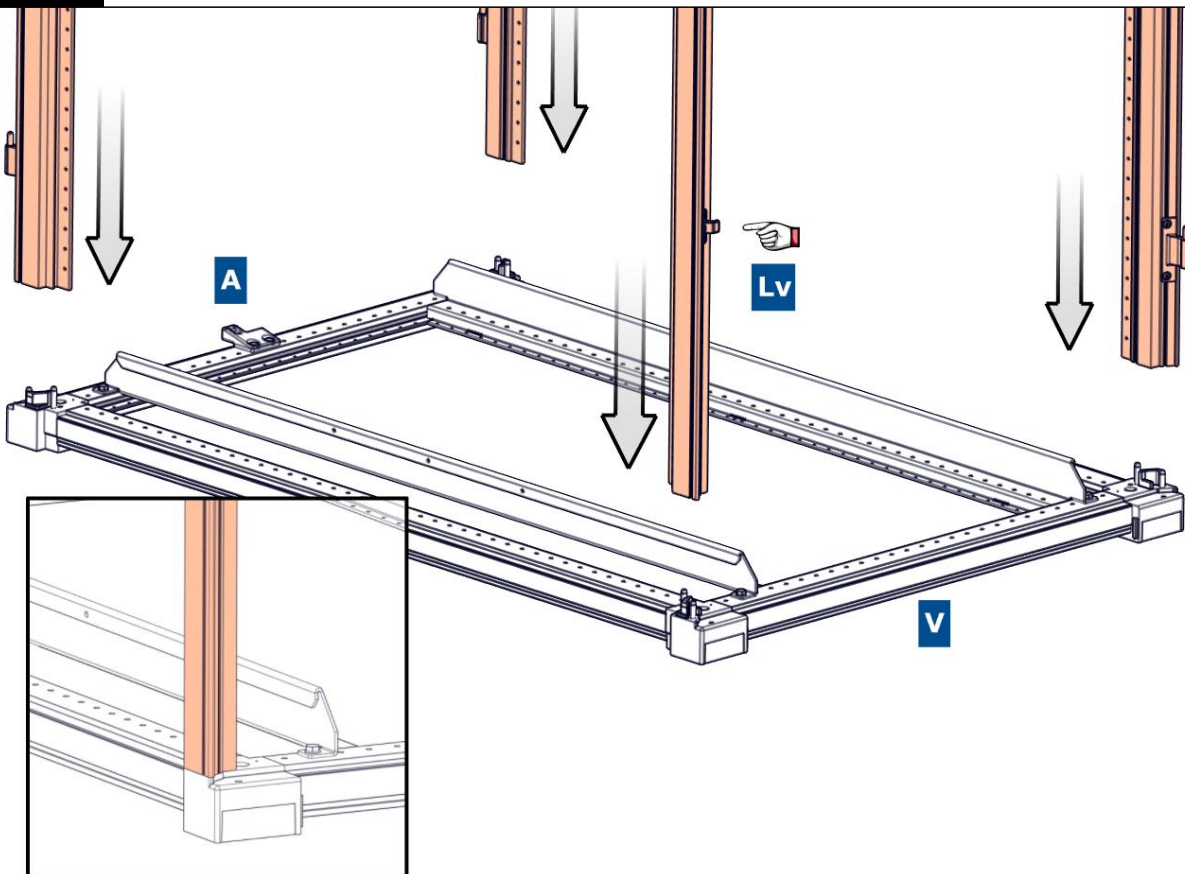
P-00169-3/000447-1

1.3



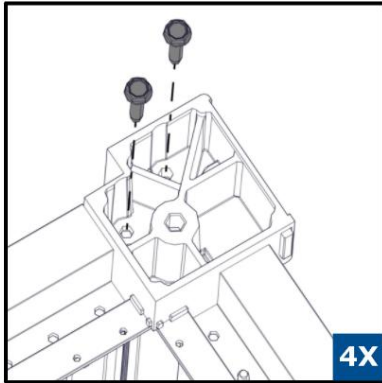
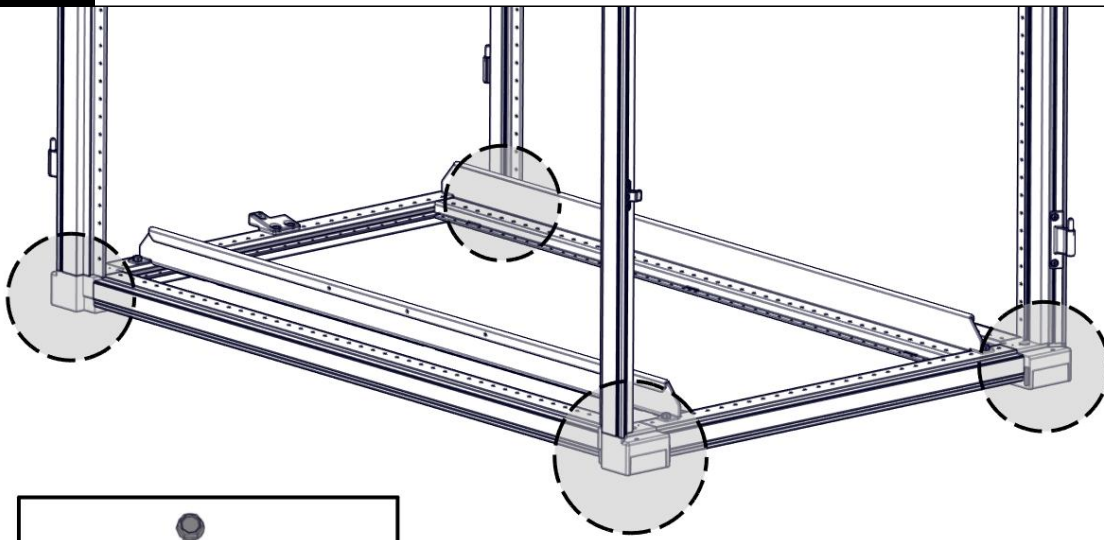
P-00169-3/000447-1

2.1

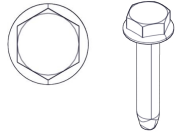


P-00169-3/000701-1

2.2



4X Torque setting is 12-13 Nm



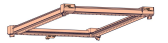
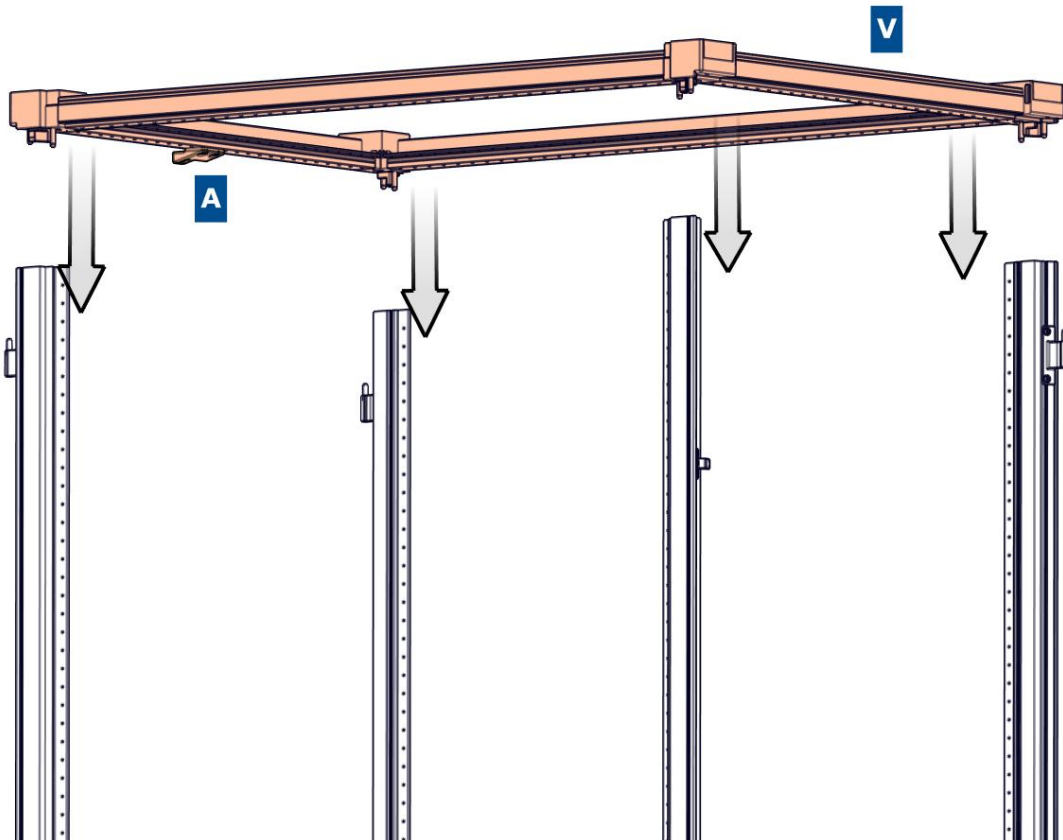
M6 x 30 (#10)



#10

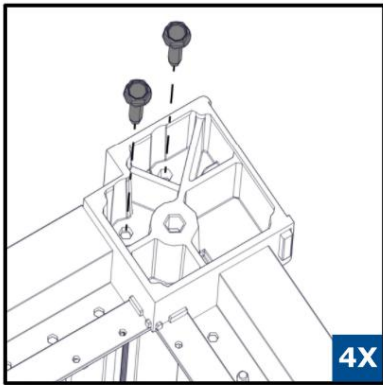
P-00169-3/000701-1

2.3

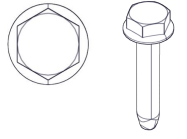


P-00169-3/000701-1

2.4



Torque setting is 12-13 Nm



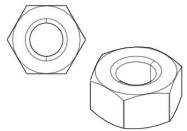
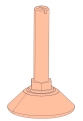
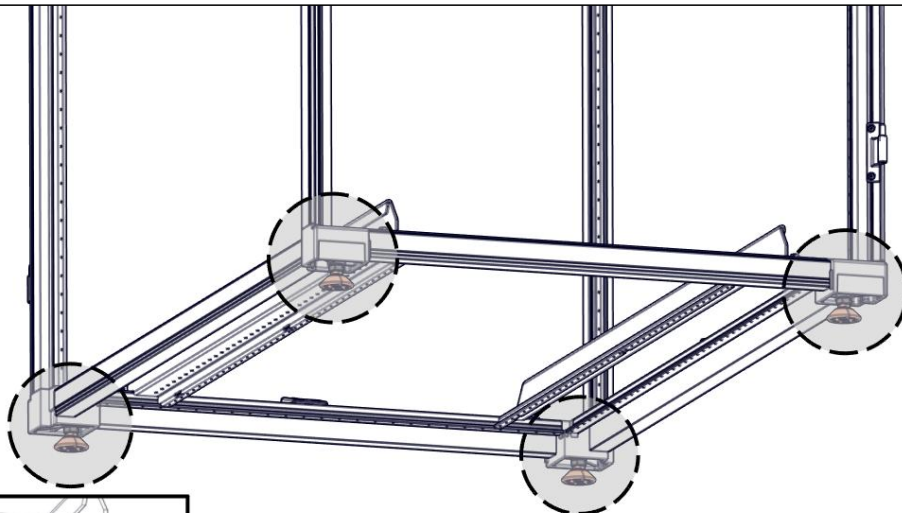
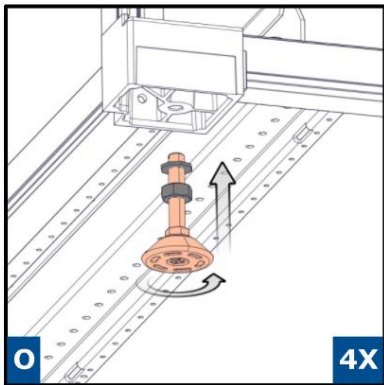
M6 x 30 (#10)



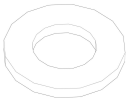
#10

P-00169-3/000701-1

2.5



M10 (#17)



M10



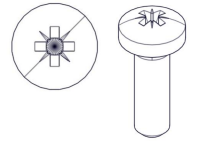
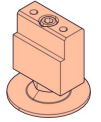
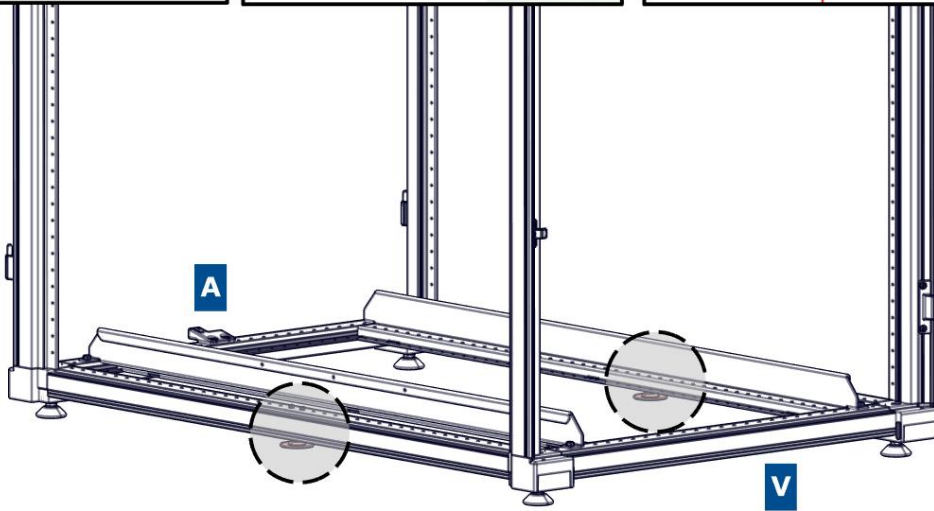
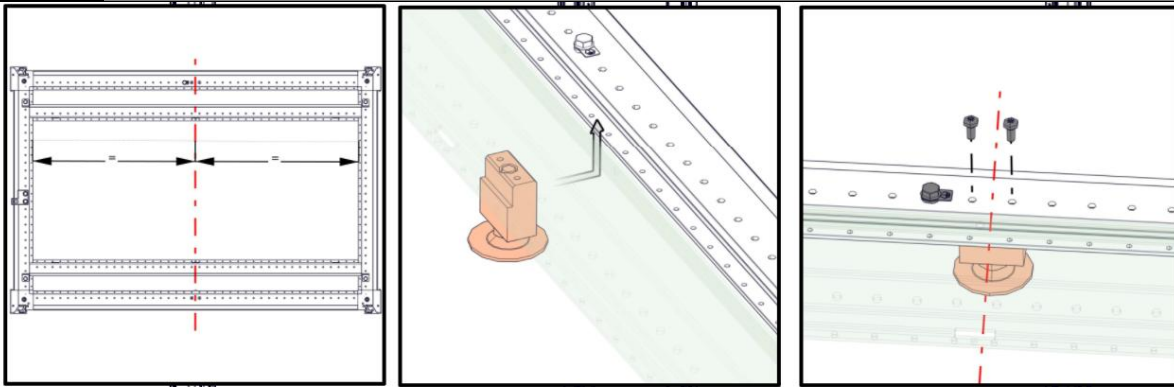
PH-2



#17

P-00169-3/000701-1

2.6



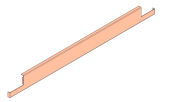
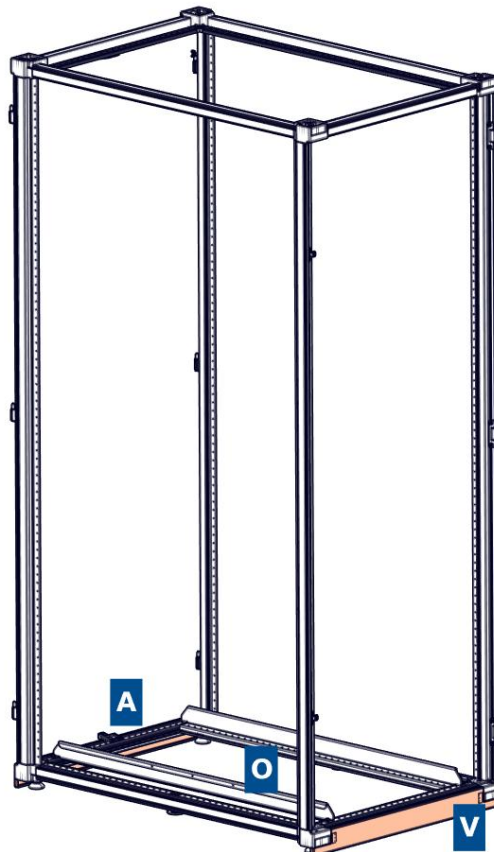
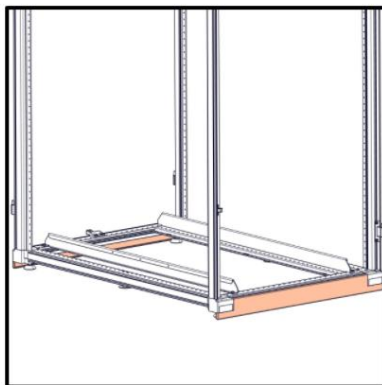
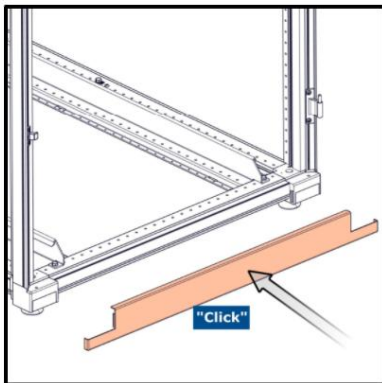
M5 x 12 (PZ-2)



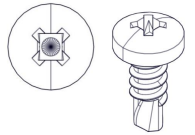
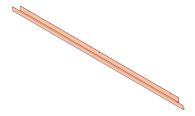
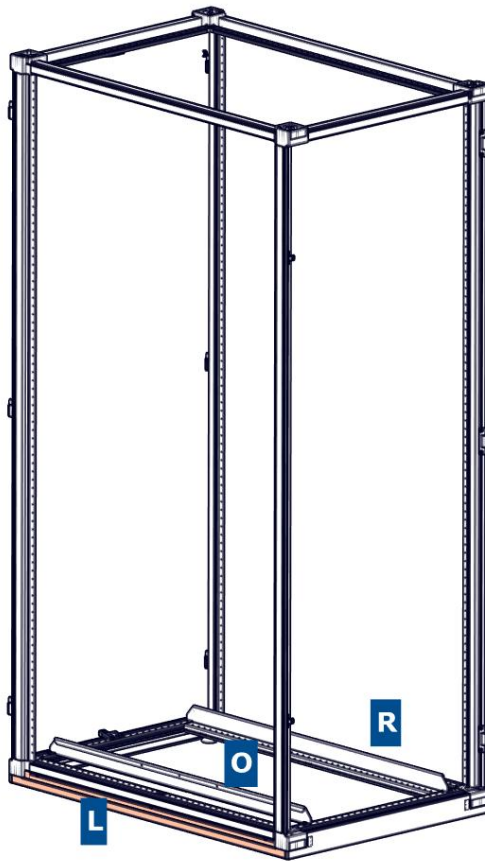
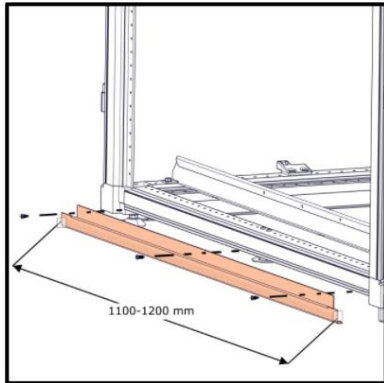
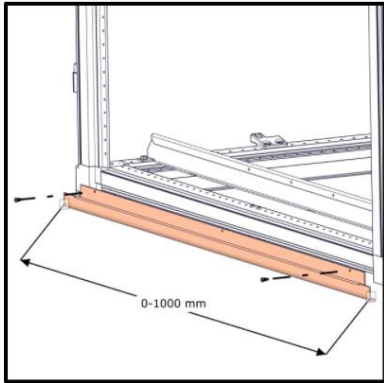
PZ-2

P-00169-3/000701-1

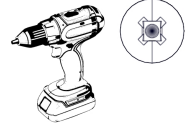
2.7



P-00169-3/000701-1



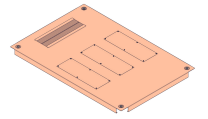
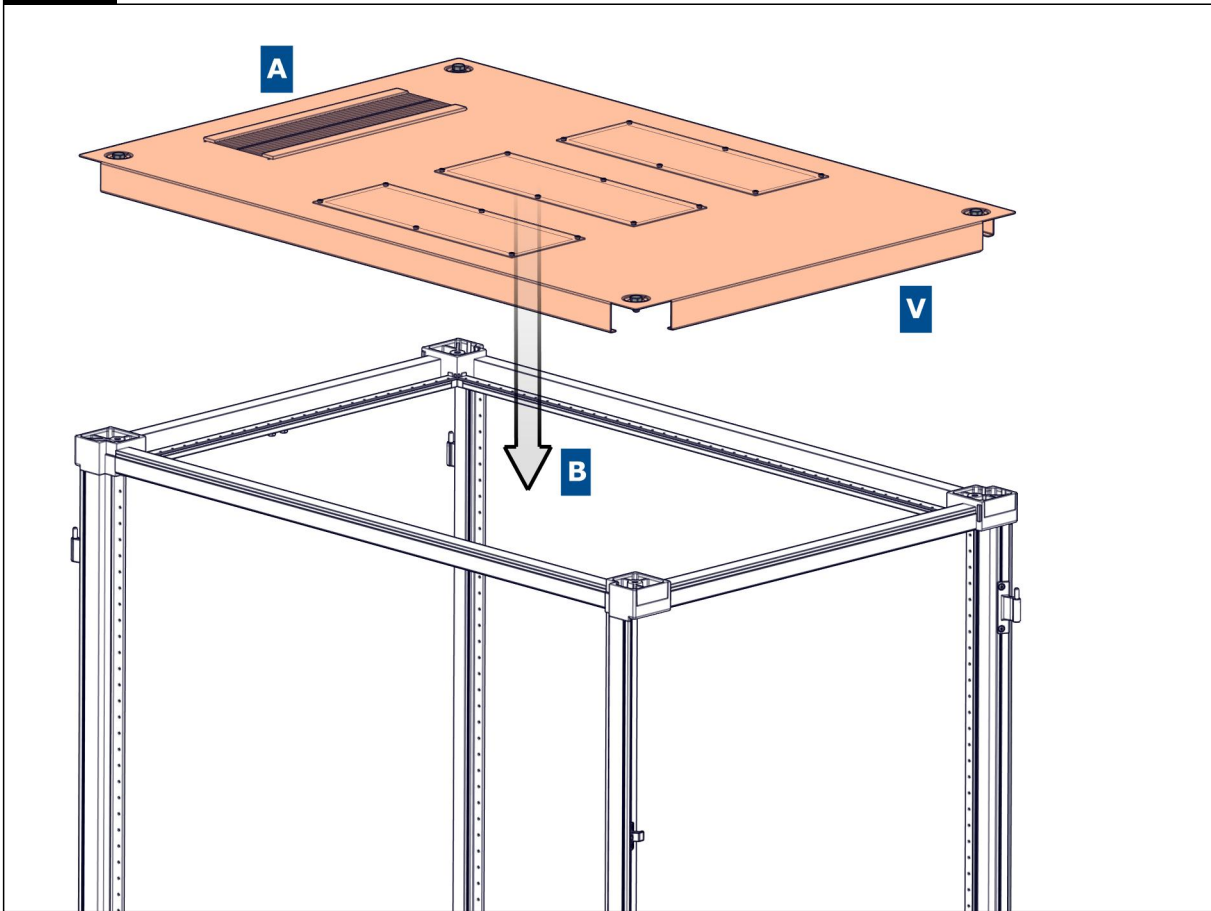
ST4.2 x 13 (SR-1)



SR-1

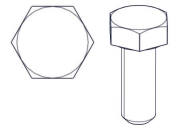
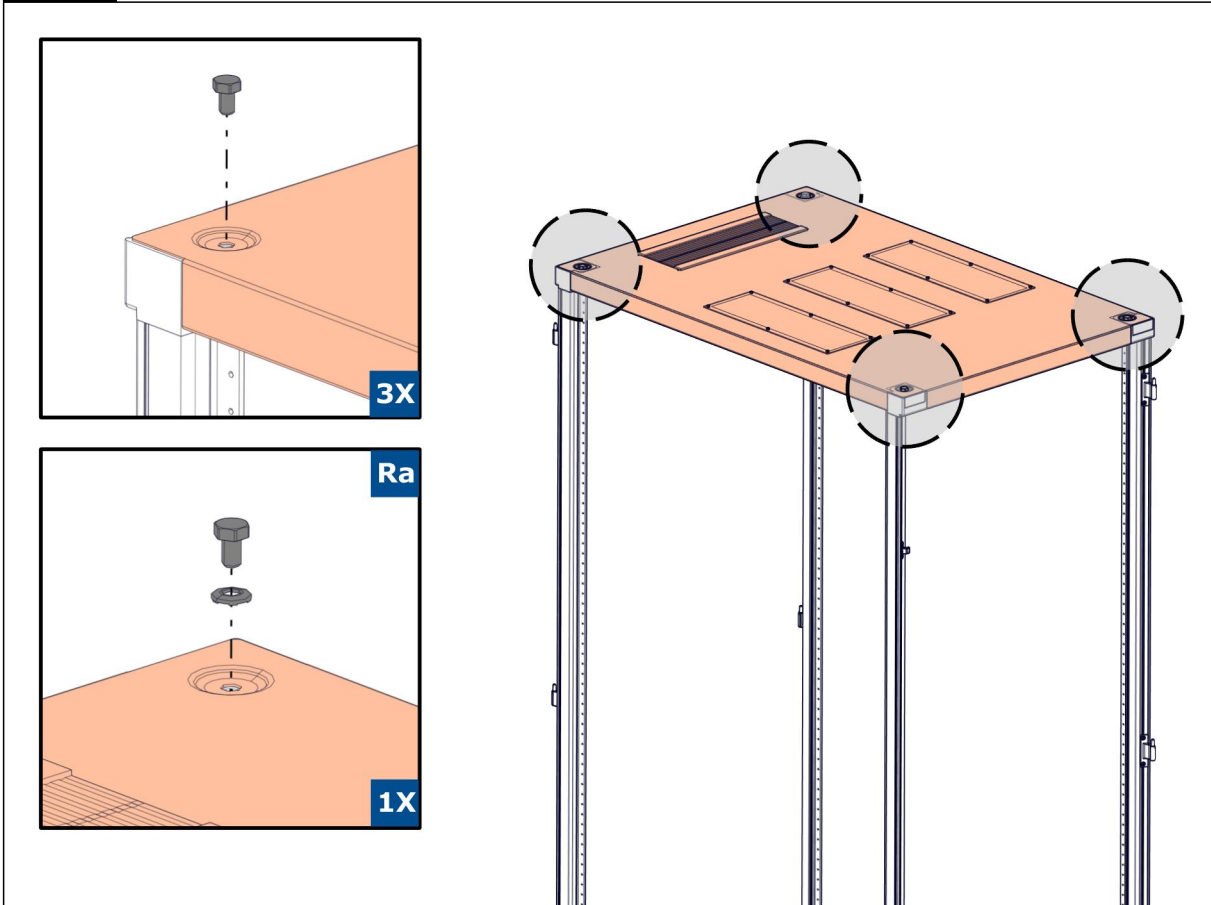
P-00169-3/000701-1

3.1



P-00169-3/000702-0

3.2



M10 x 16 (#17)



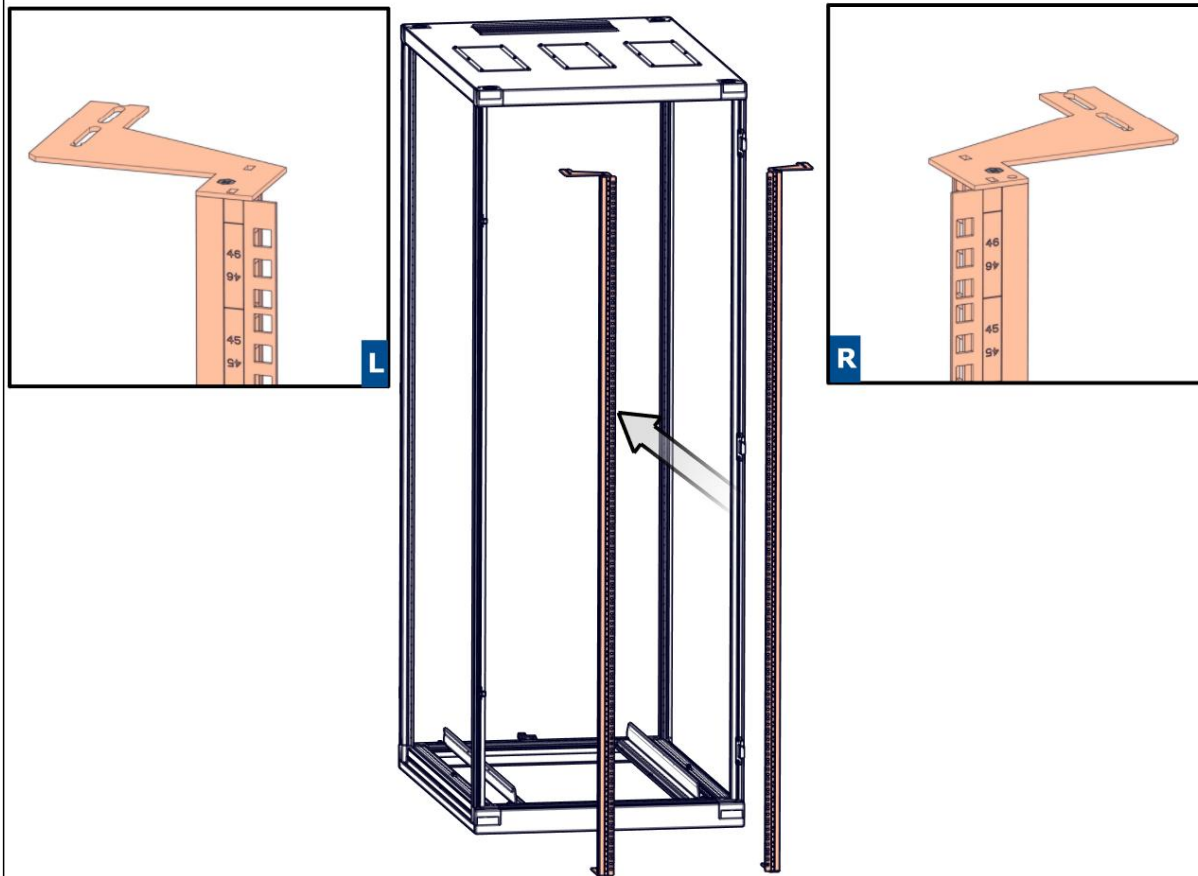
M10



#17

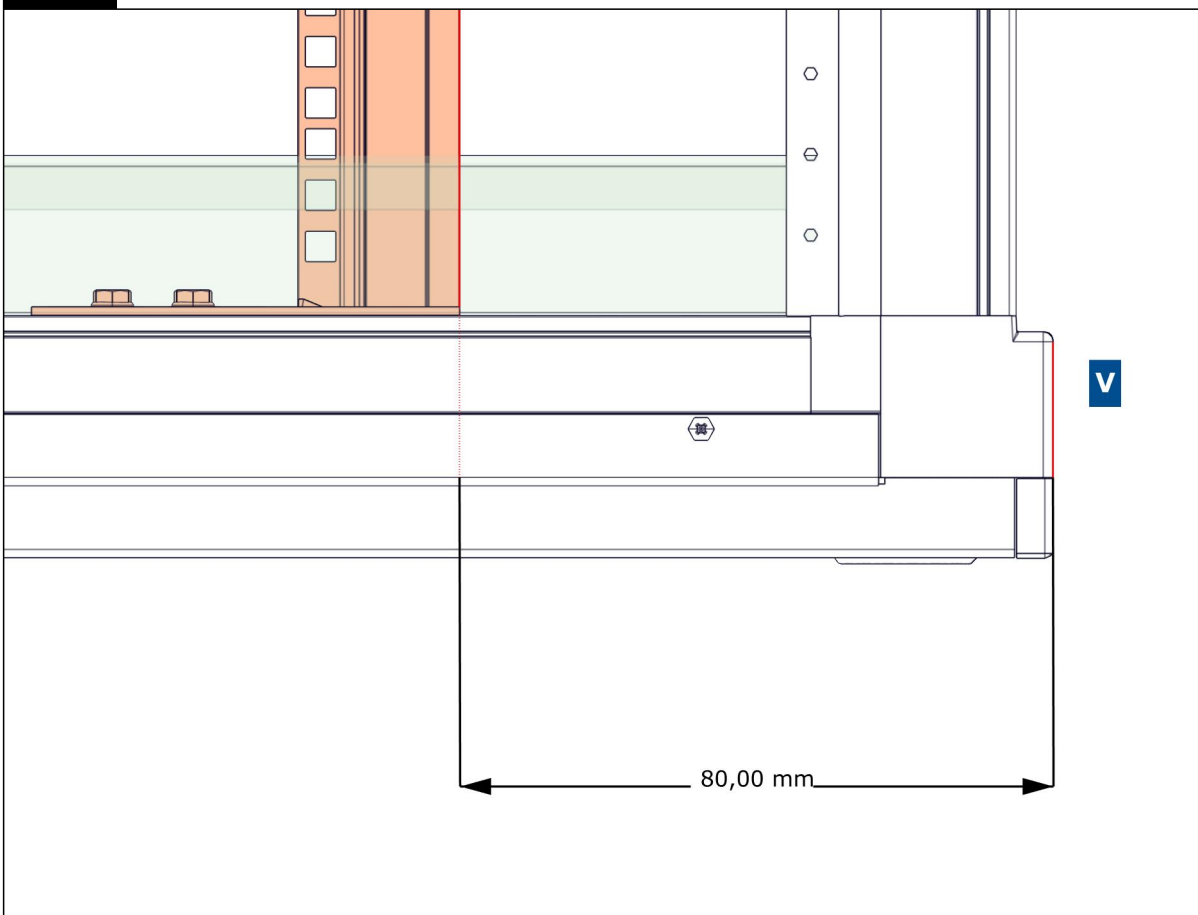
P-00169-3/000702-0

4.1



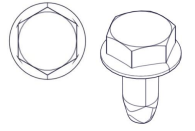
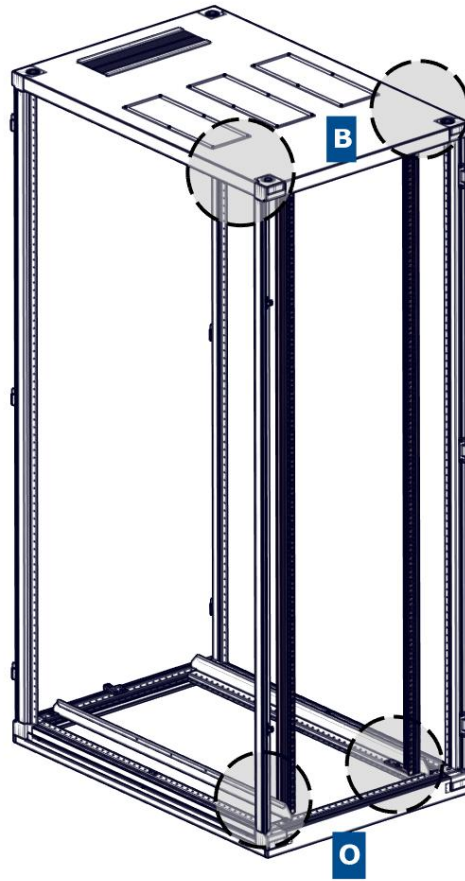
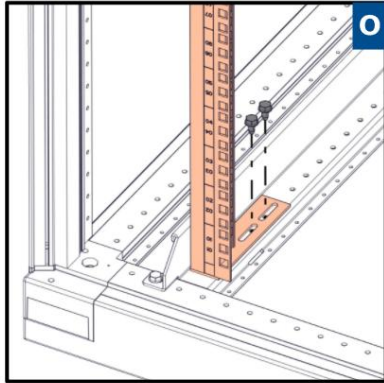
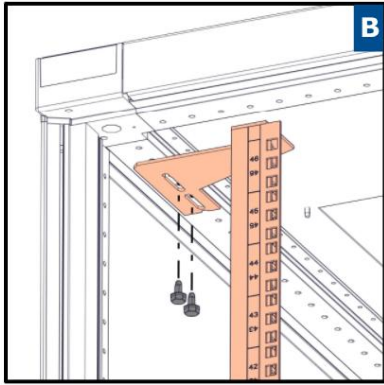
P-00169-3/000703-2

4.2



P-00169-3/000703-2

4.3



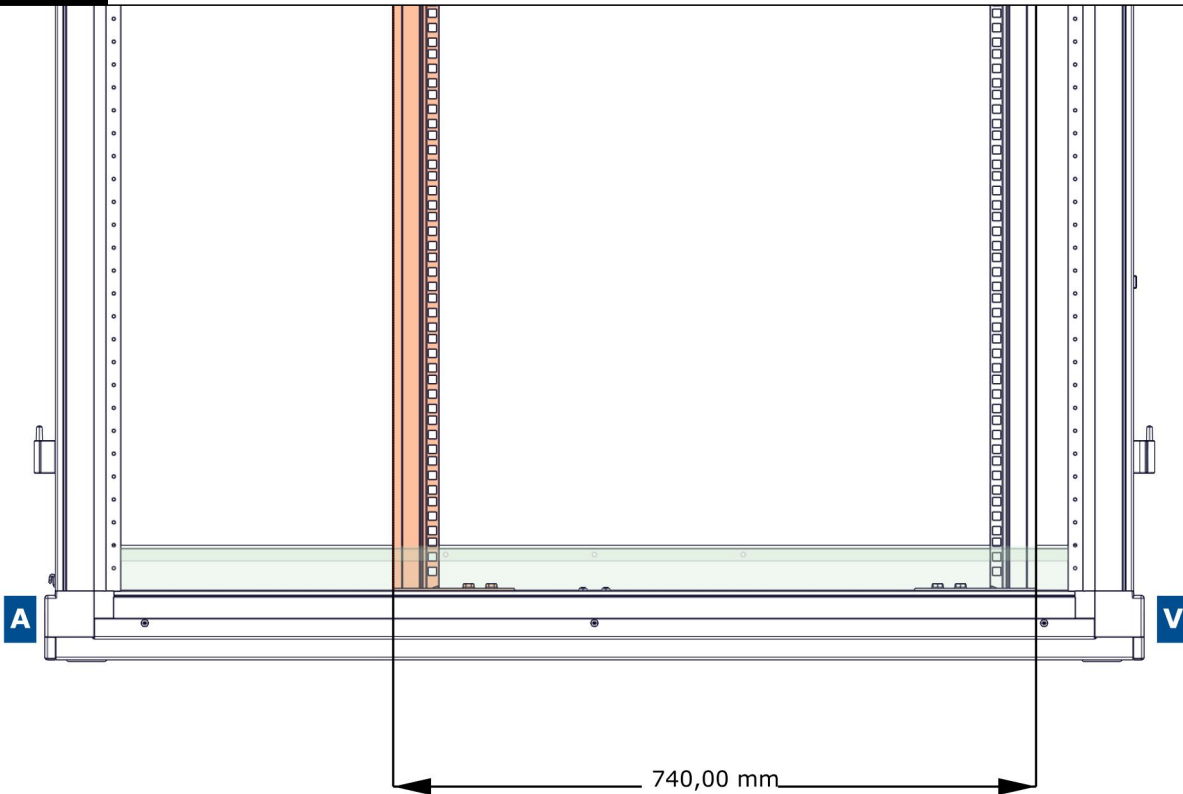
M6 x 12 (#10)



#10

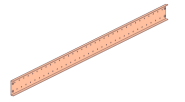
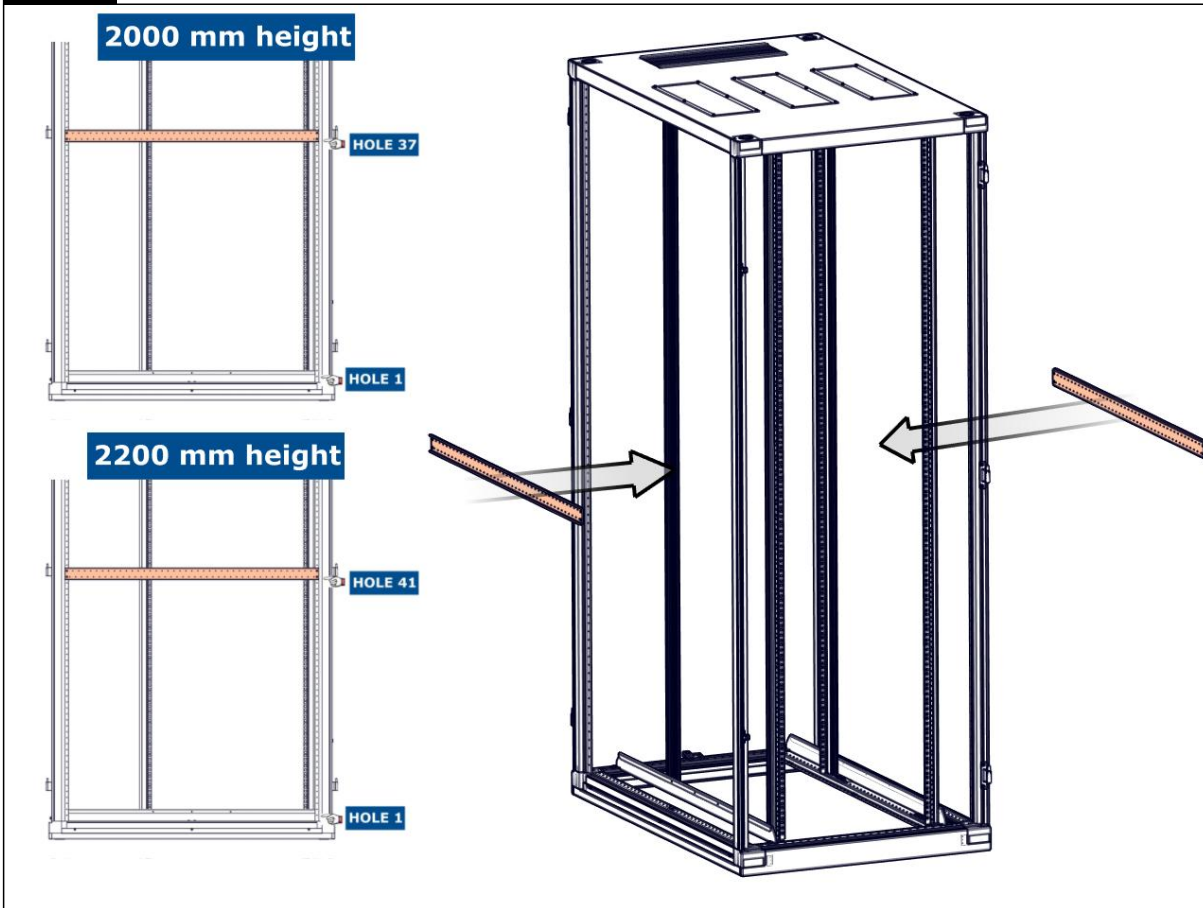
P-00169-3/000703-2

4.4

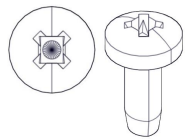
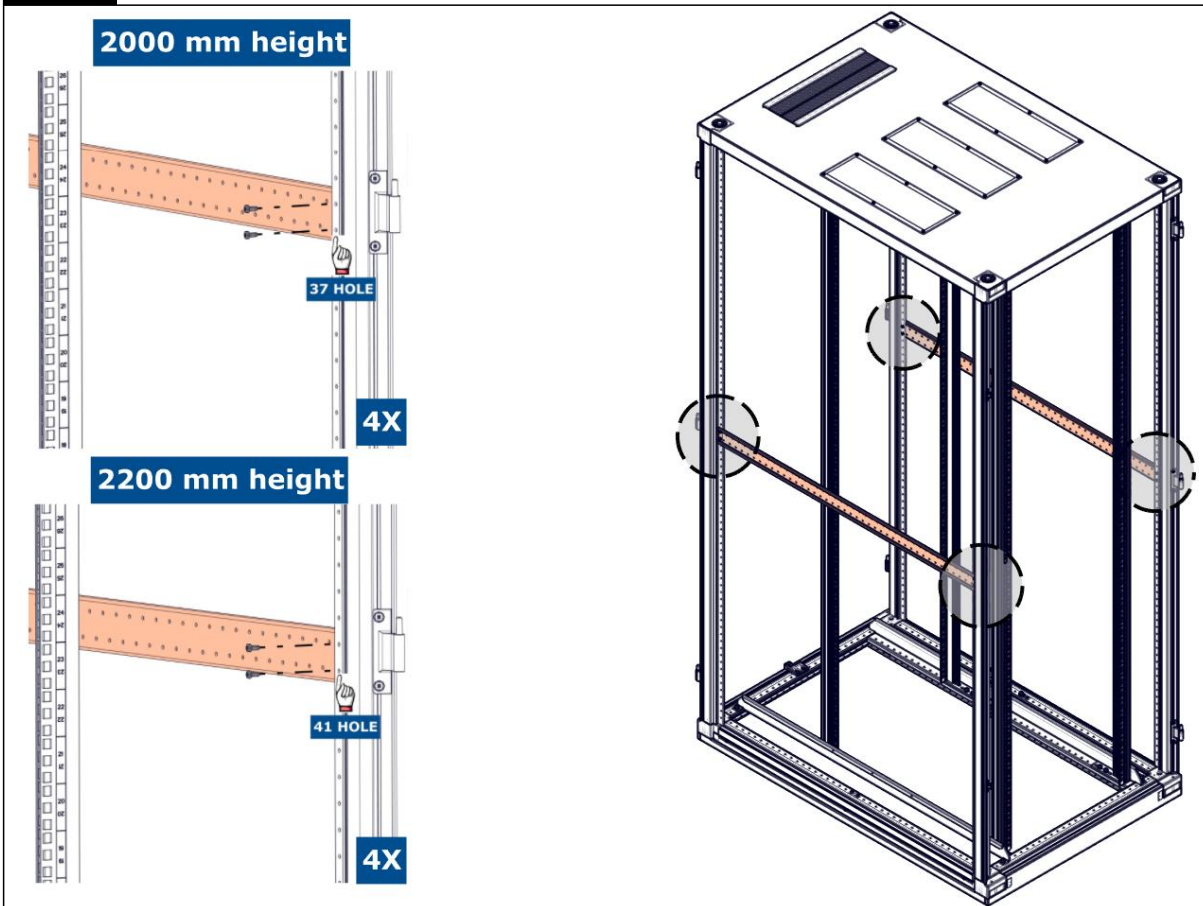


P-00169-3/000703-2

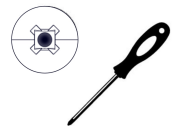
4.5



4.6

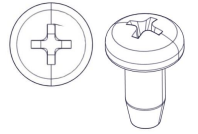
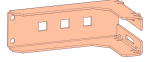
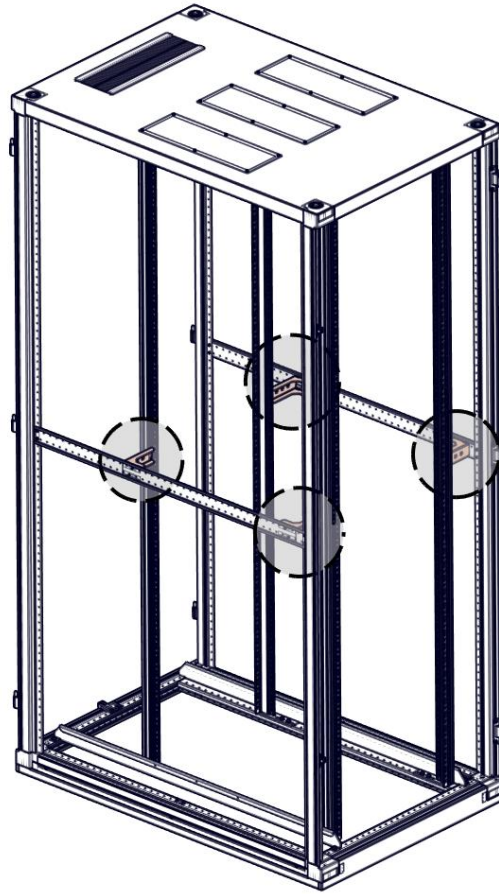
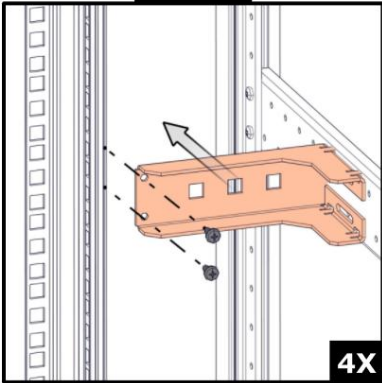
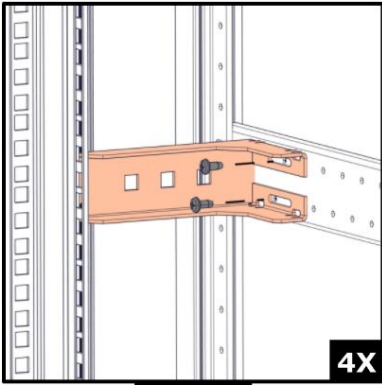


M4 x 10 (SR-1)

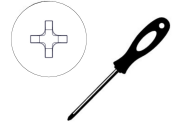


SR-1

4.7



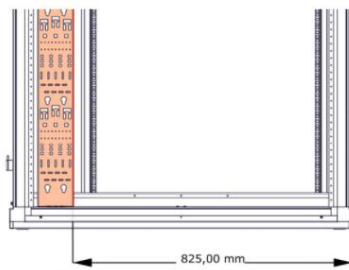
ST4 8 x 10 (PH-2)



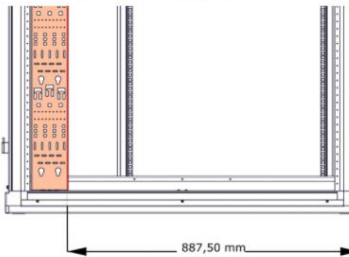
PH-2

P-00169-3/000703-2

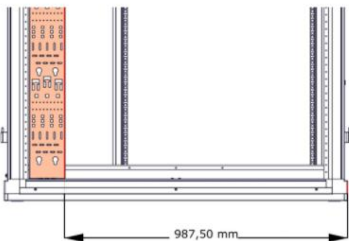
4.8



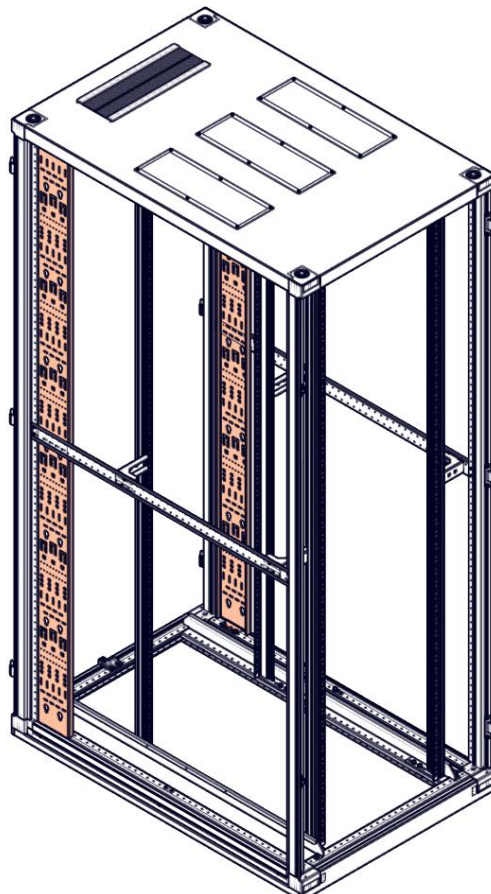
1000 mm depth



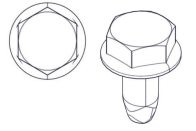
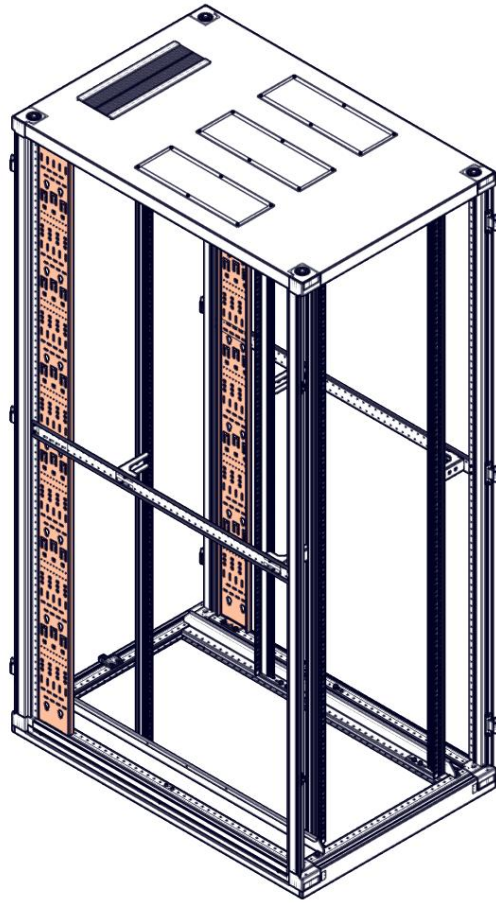
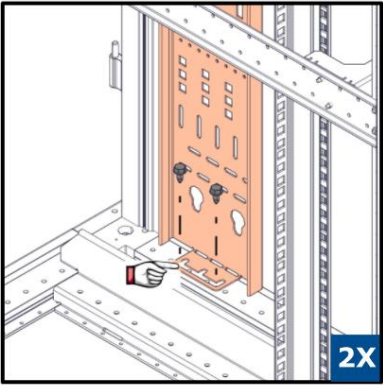
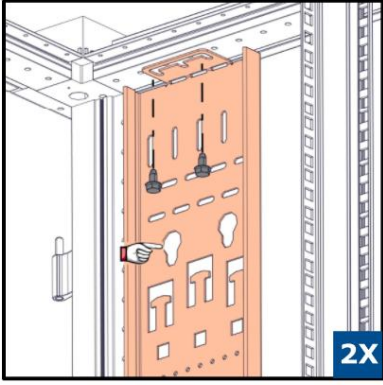
1100 mm depth



1200 mm depth



P-00169-3/000703-2



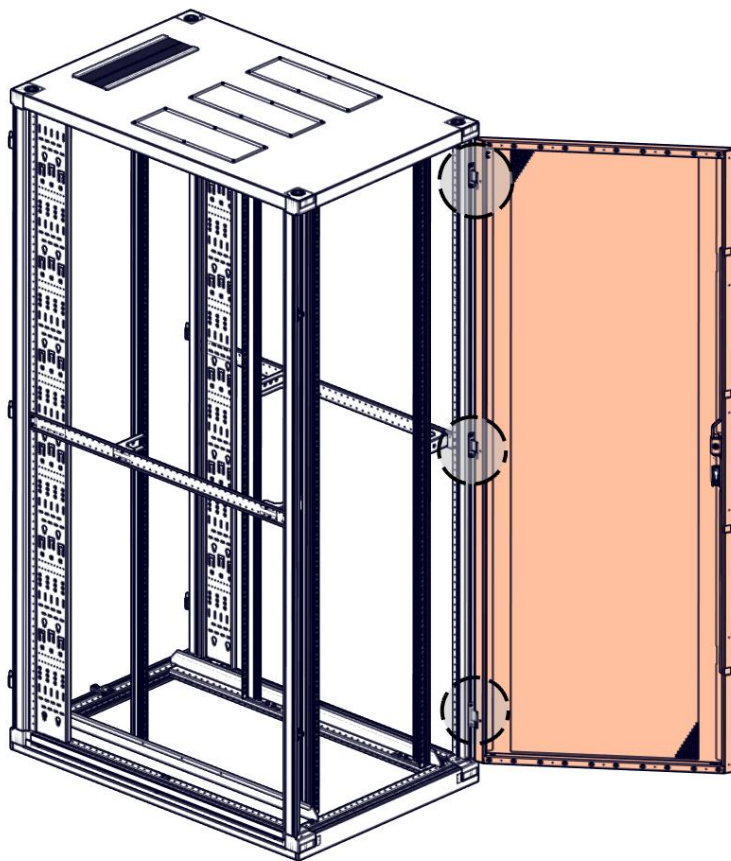
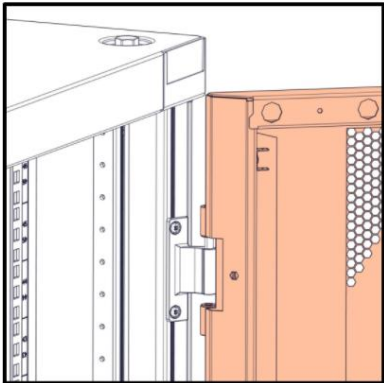
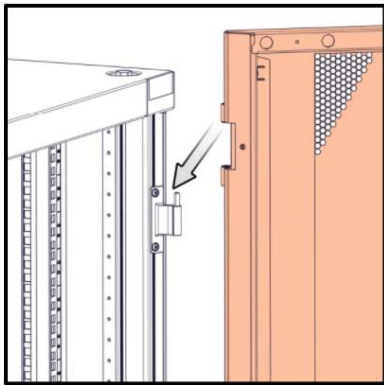
M6 x 12 (#10)



#10

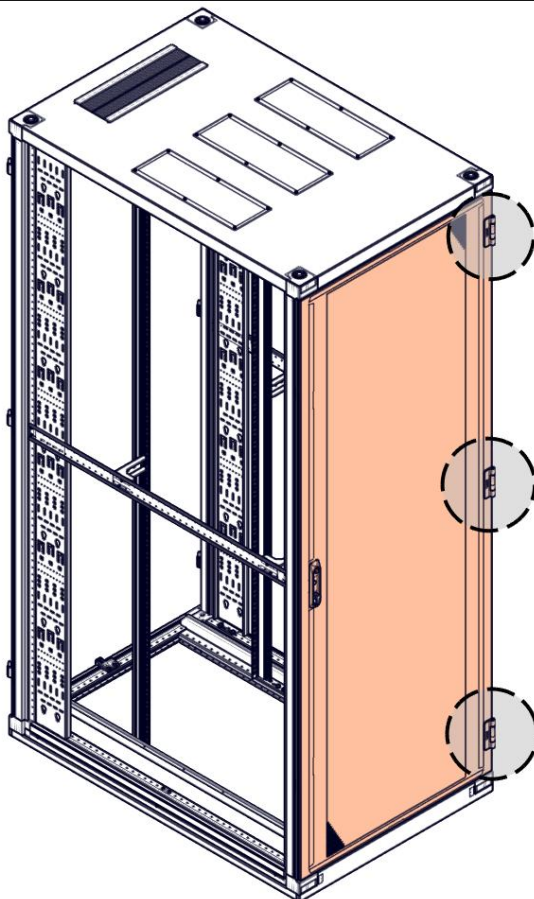
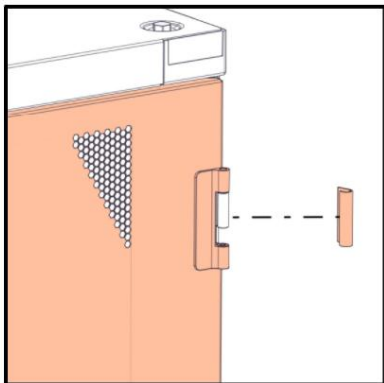
P-00169-3/000703-2

5.1



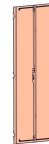
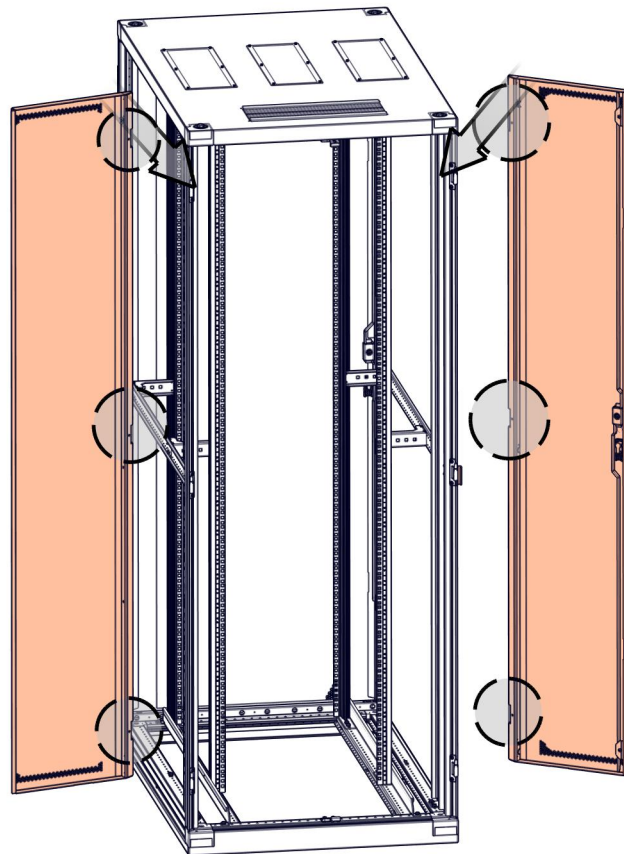
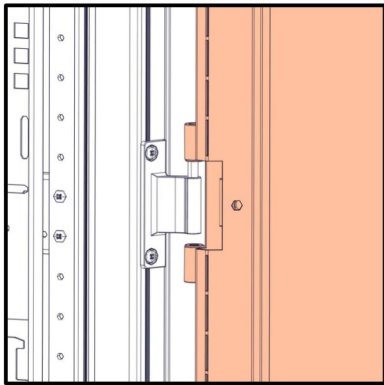
P-00169-3/000704-1

5.2



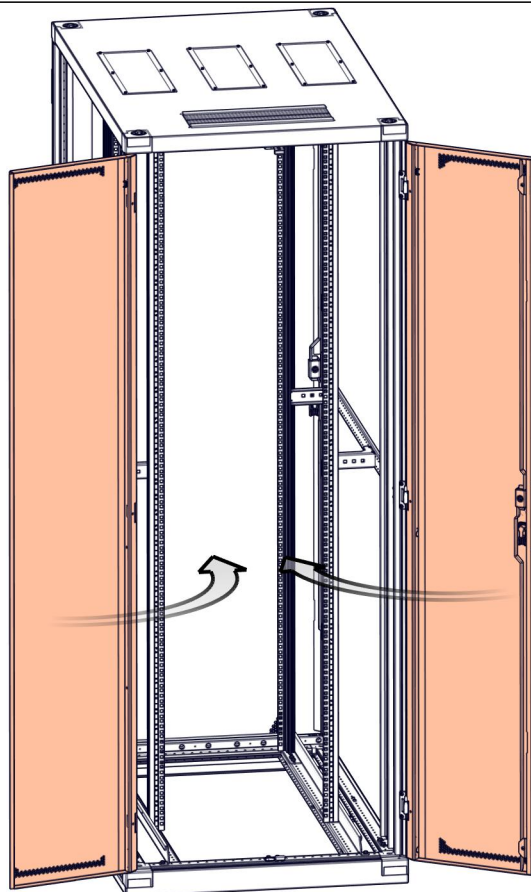
P-00169-3/000704-1

6.1



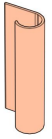
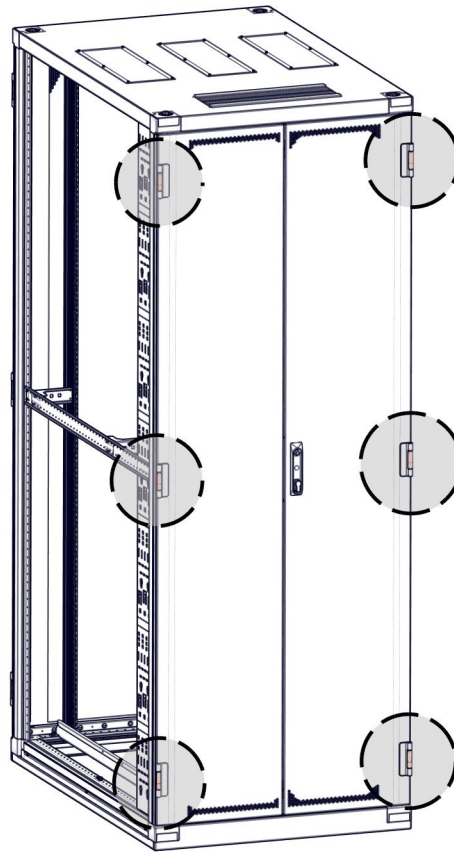
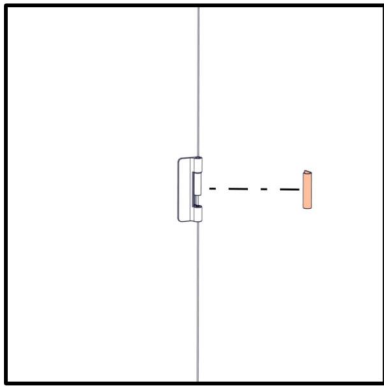
P-00169-3/000705-0

6.2



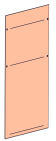
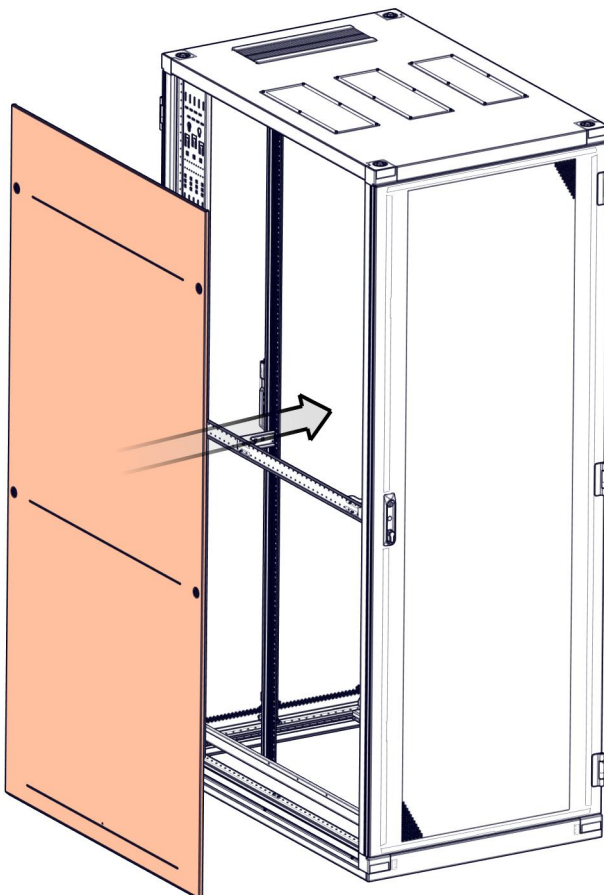
P-00169-3/000705-0

6.3



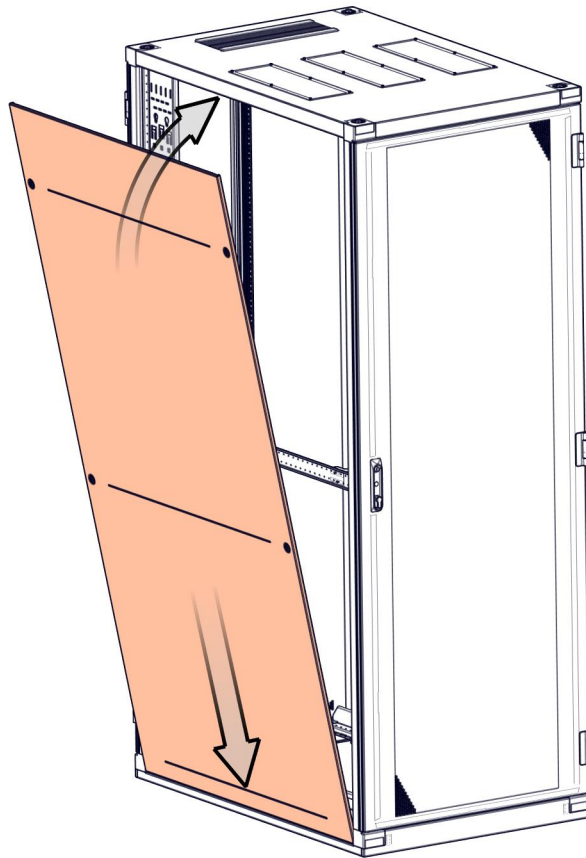
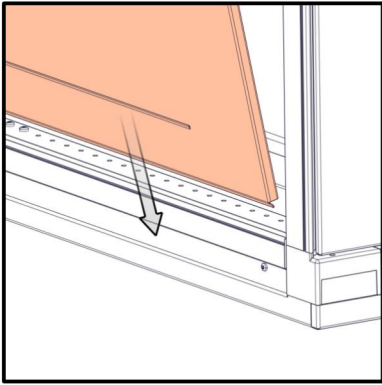
P-00169-3/000705-0

7.1



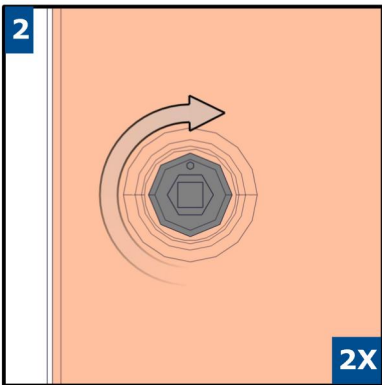
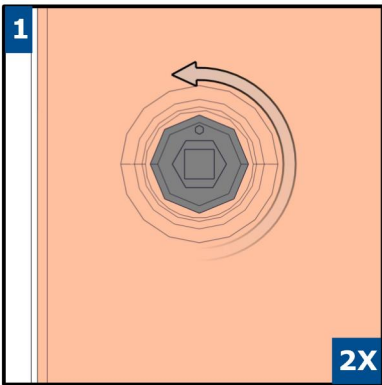
P-00169-3/000706-0

7.2

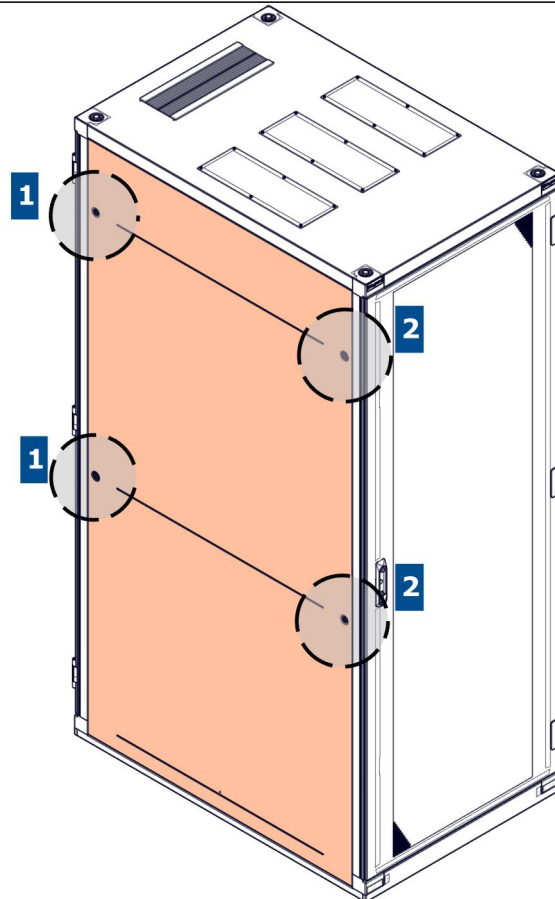


P-00169-3/000706-0

7.3



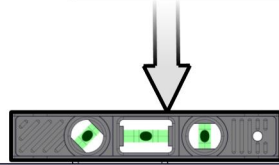
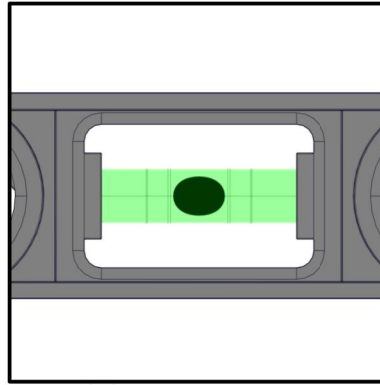
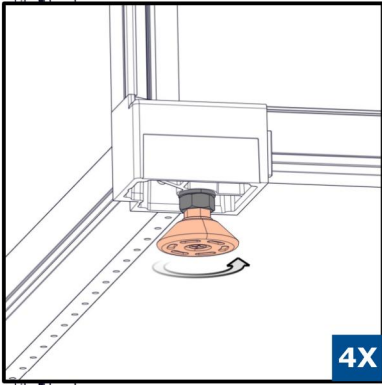
Clamp lock square 6 mm



P-00169-3/000706-0

8.1

Optional



mm



#17



#13

P-00169-3/000707-0

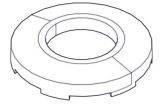
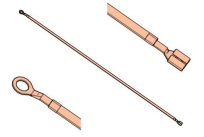
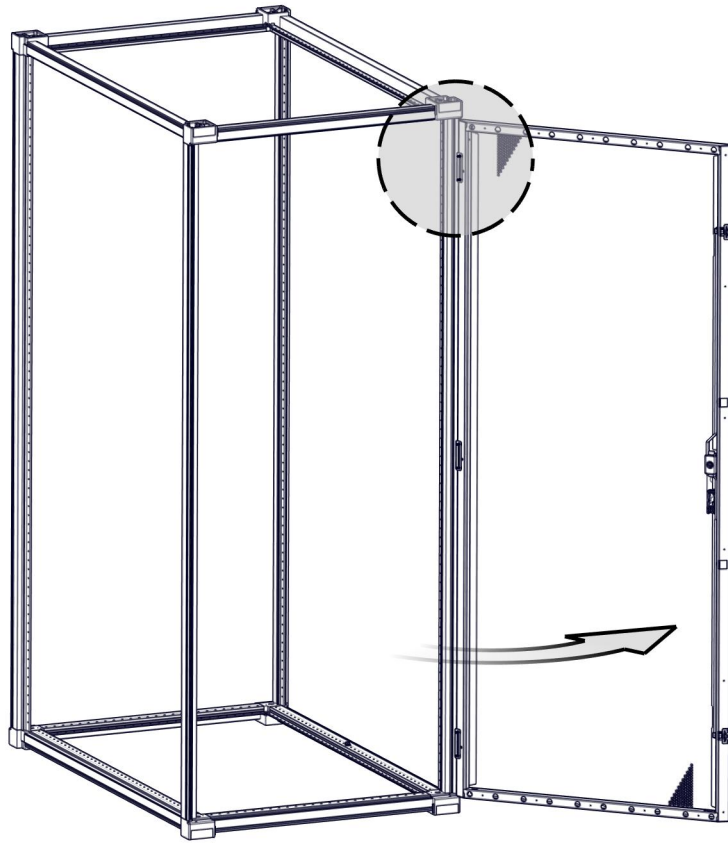
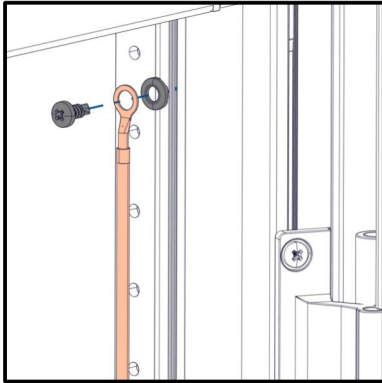
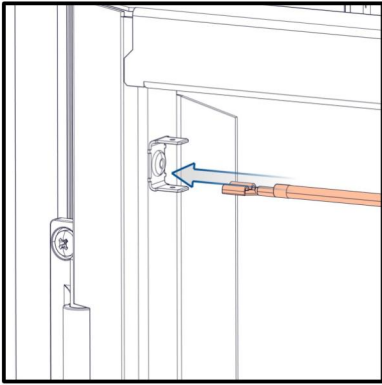
9.1

Earthing position for both double and single doors

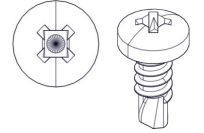


P-00169-3/000708-0

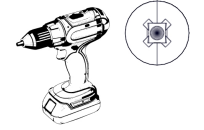
9.2



M5



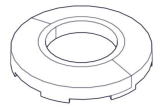
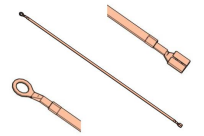
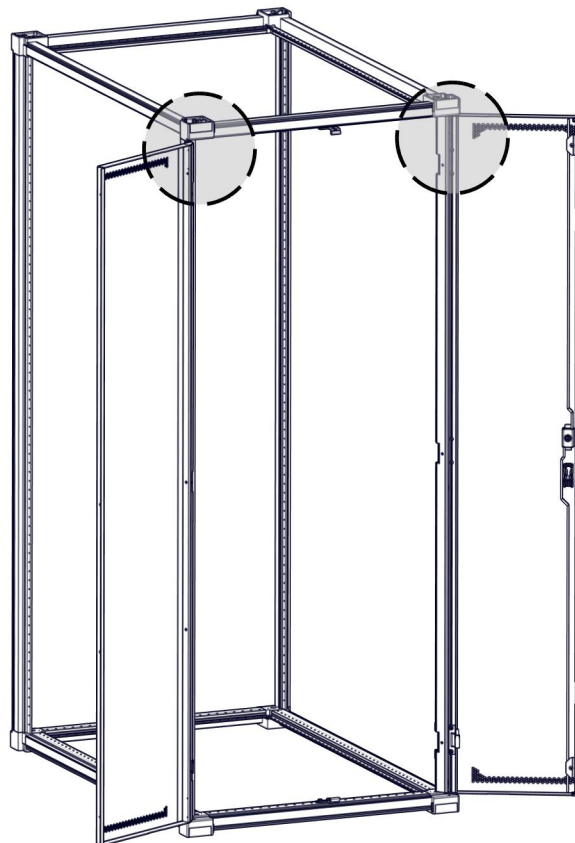
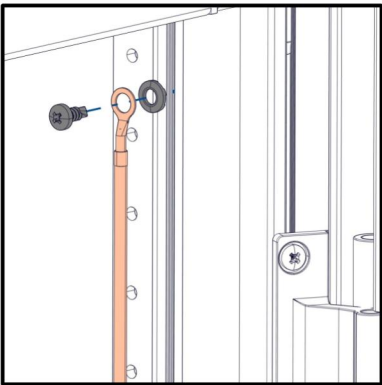
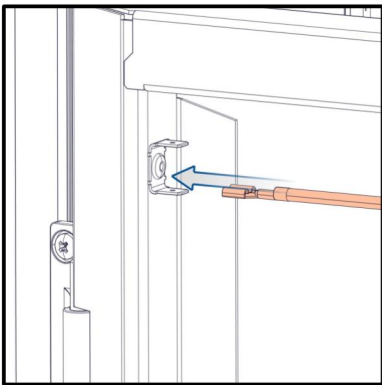
ST4.2 x 13 (SR-1)



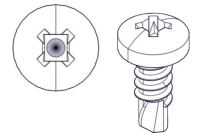
SR-1

P-00169-3/000708-0

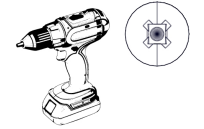
9.3



M5



ST4.2 x 13 (SR-1)



SR-1

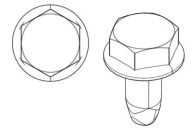
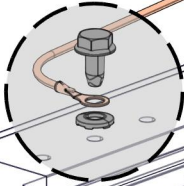
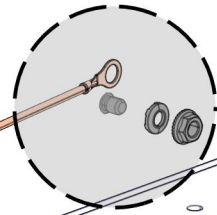
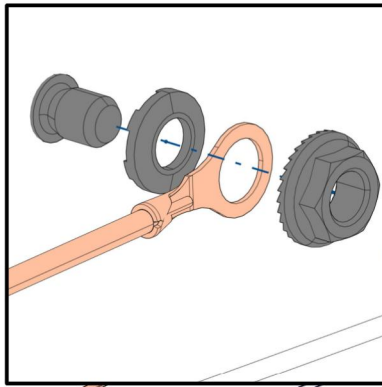
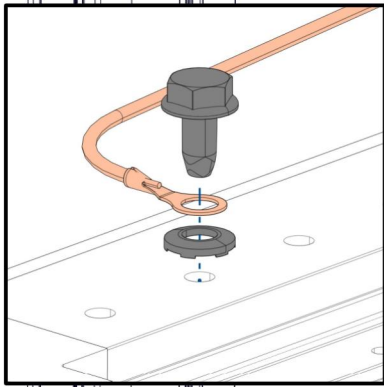
P-00169-3/000708-0



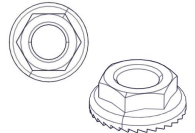
1000 mm depth: 4 hole from rear

1100-1200 mm depth: 6 hole from rear

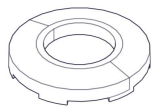
9.5



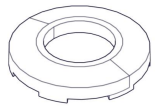
M6 x 12 (#10)



M5 (#8)



M5



M6



#10

P-00168-3/000708-0

Notes



Head office
and International Department
87045 Limoges Cedex - France
Tel: + 33 (0) 5 55 06 87 87
Fax: + 33 (0) 5 55 06 74 55