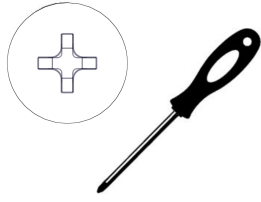


## Tools

---



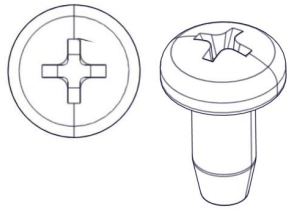
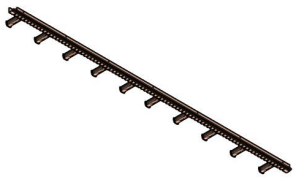
mm



PH-2

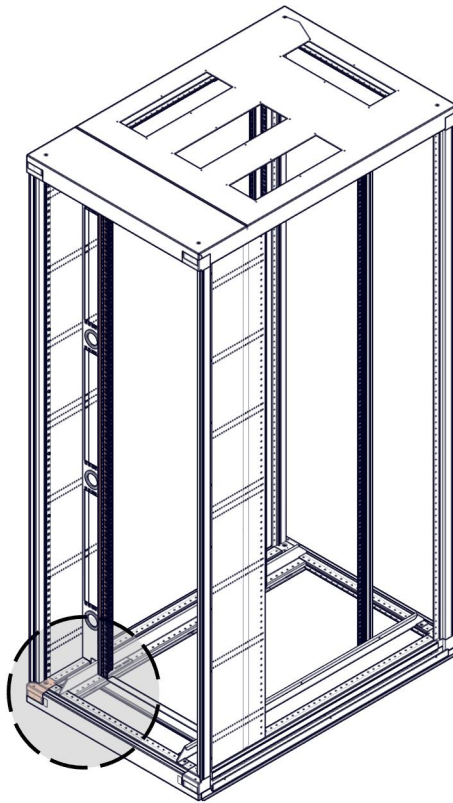
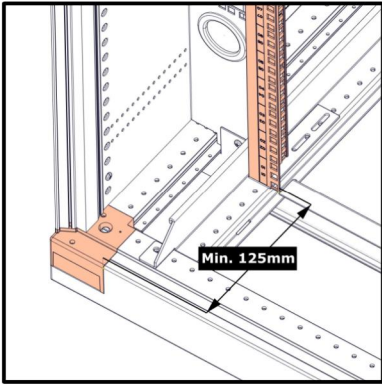
## Components

---



ST4 8 x 10 (PH-2)

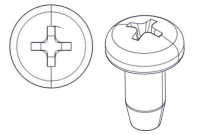
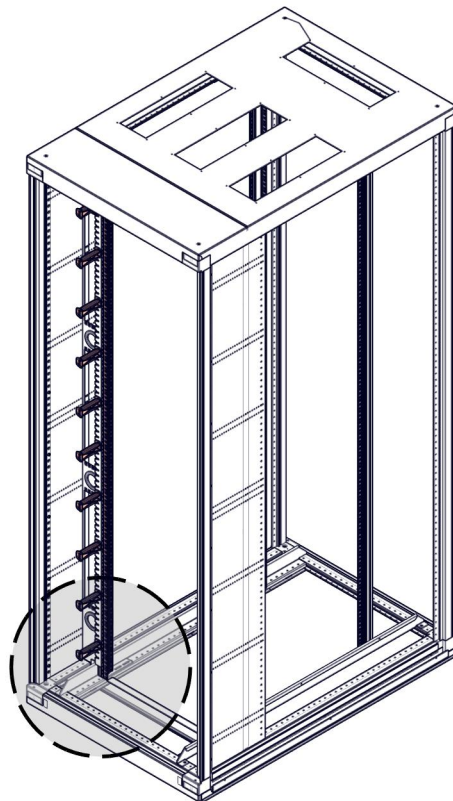
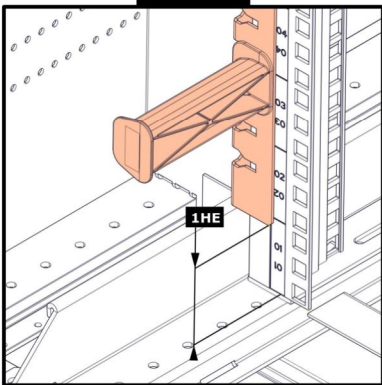
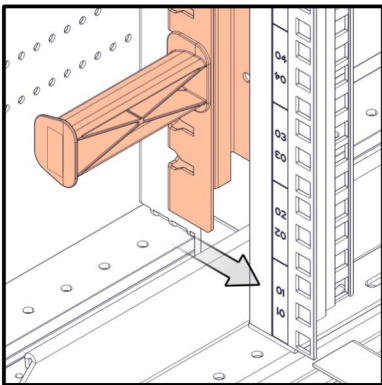
1.1



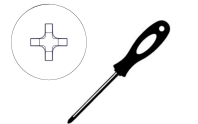
mm

P-00052-2/000197-2

1.2



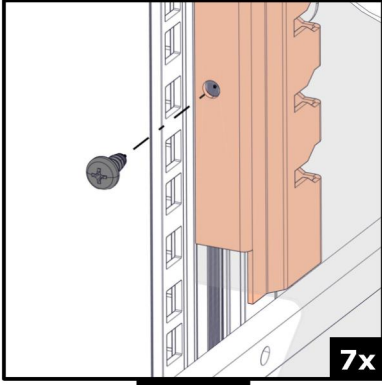
ST4 8 x 10 (PH-2)



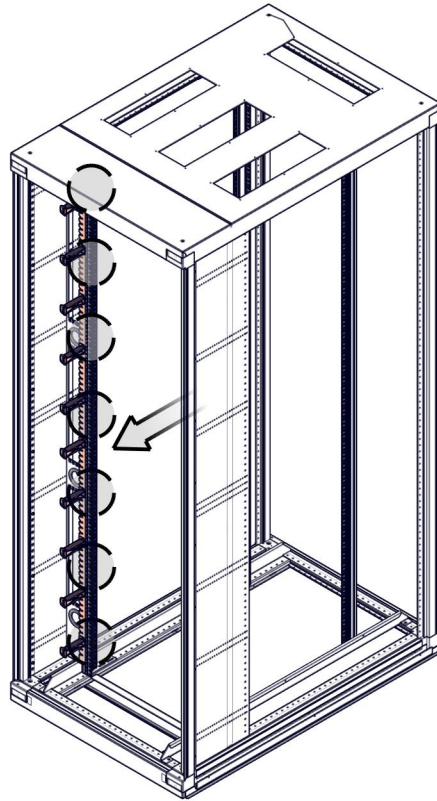
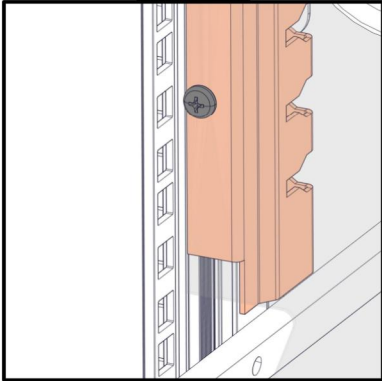
PH-2

P-00052-2/000197-2

1.3

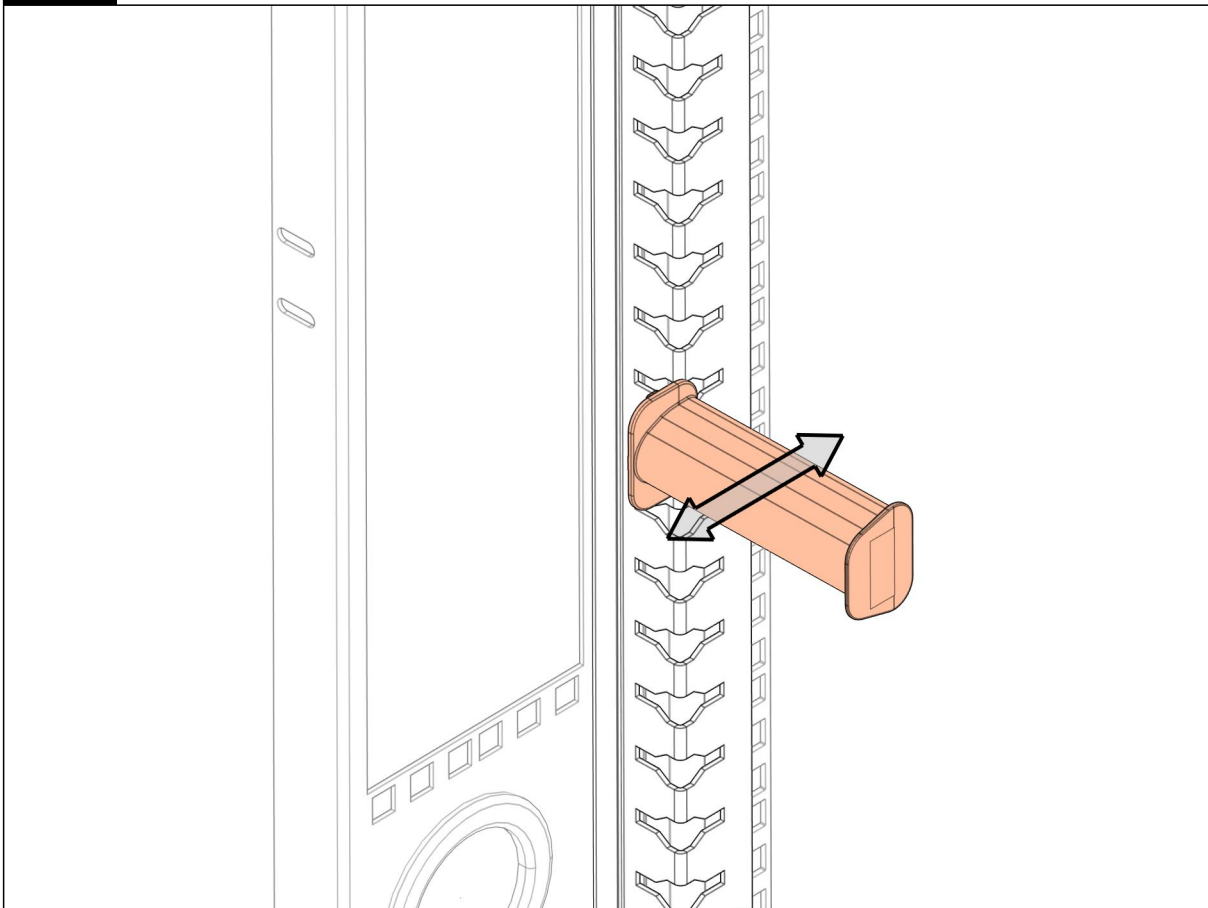


7x



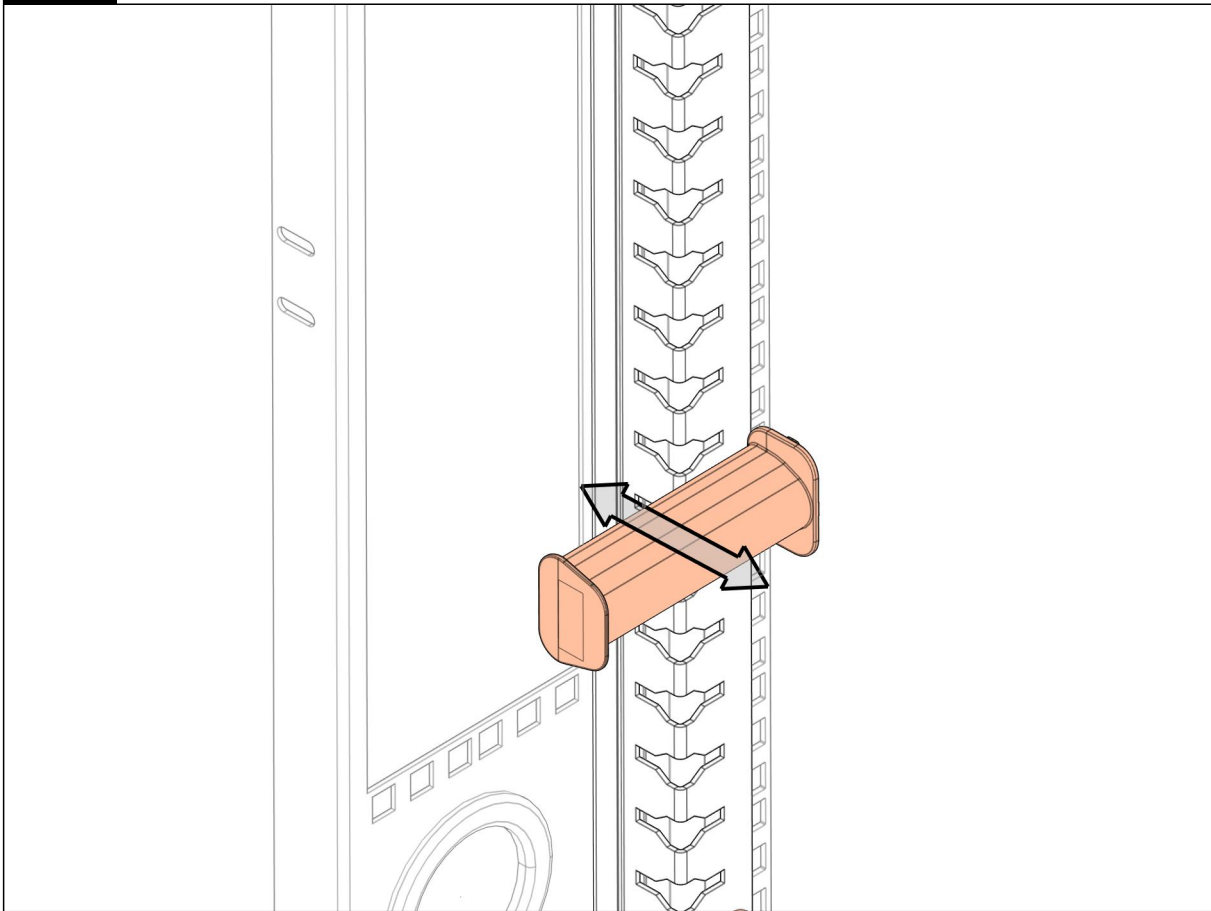
P-00052-2/000197-2

2.1



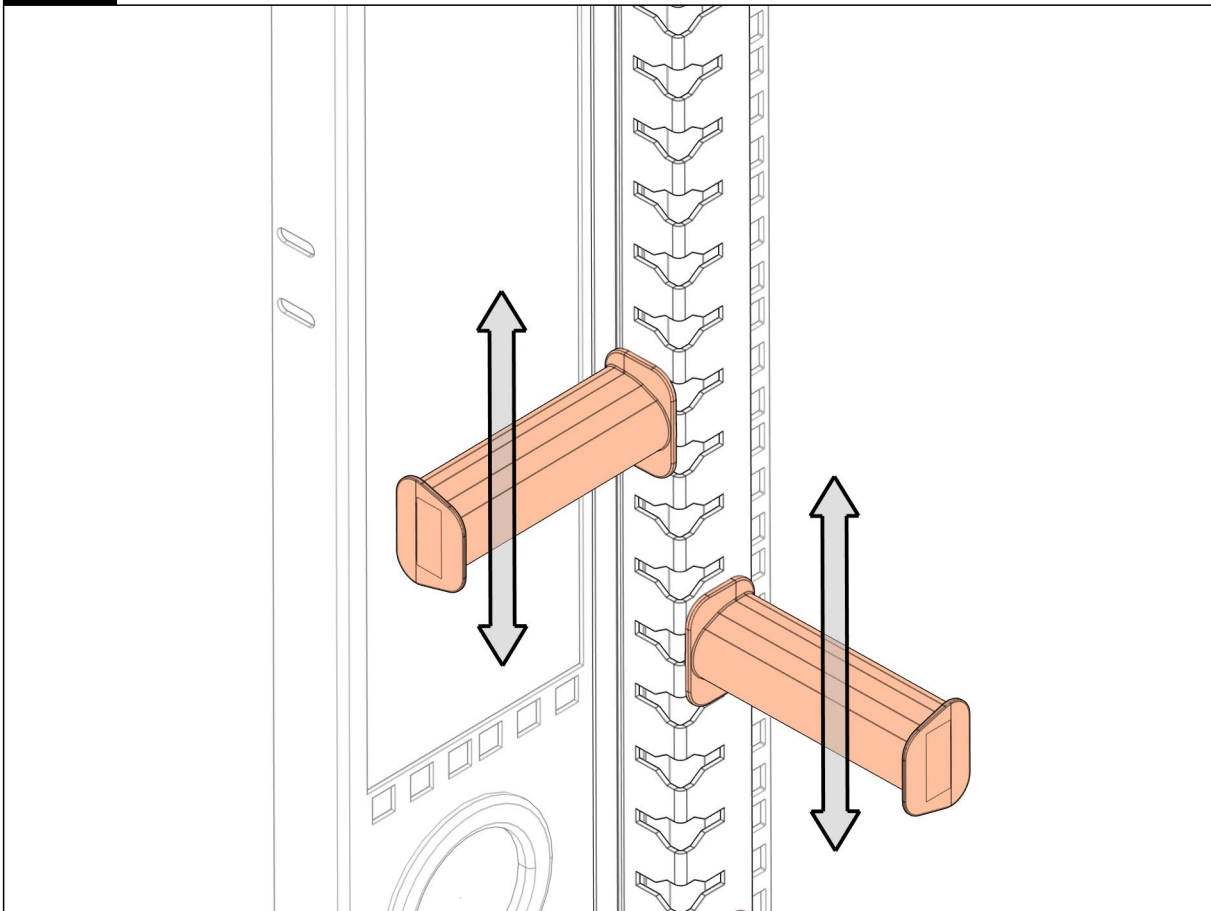
P-00052-2/000207-1

2.2



P-00052-2/000207-1

2.3



P-00052-2/000207-1

## Notes





**Head office**  
and International Department  
87045 Limoges Cedex - France  
Tel: + 33 (0) 5 55 06 87 87  
Fax: + 33 (0) 5 55 06 74 55