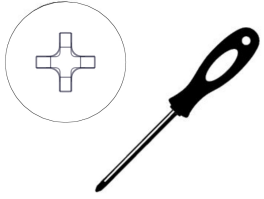


## Tools

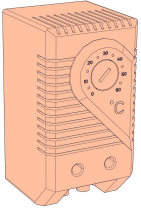
---



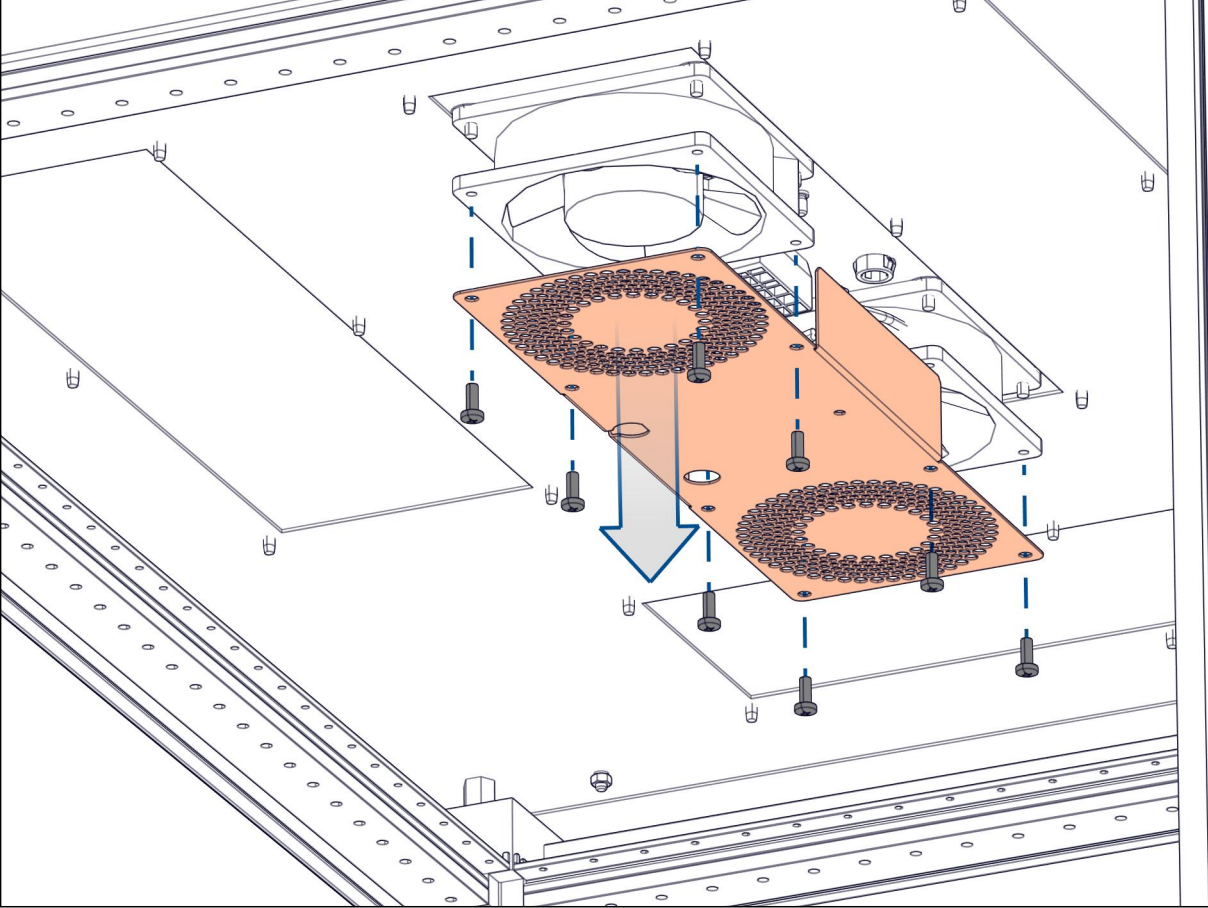
PH-2

## Components

---



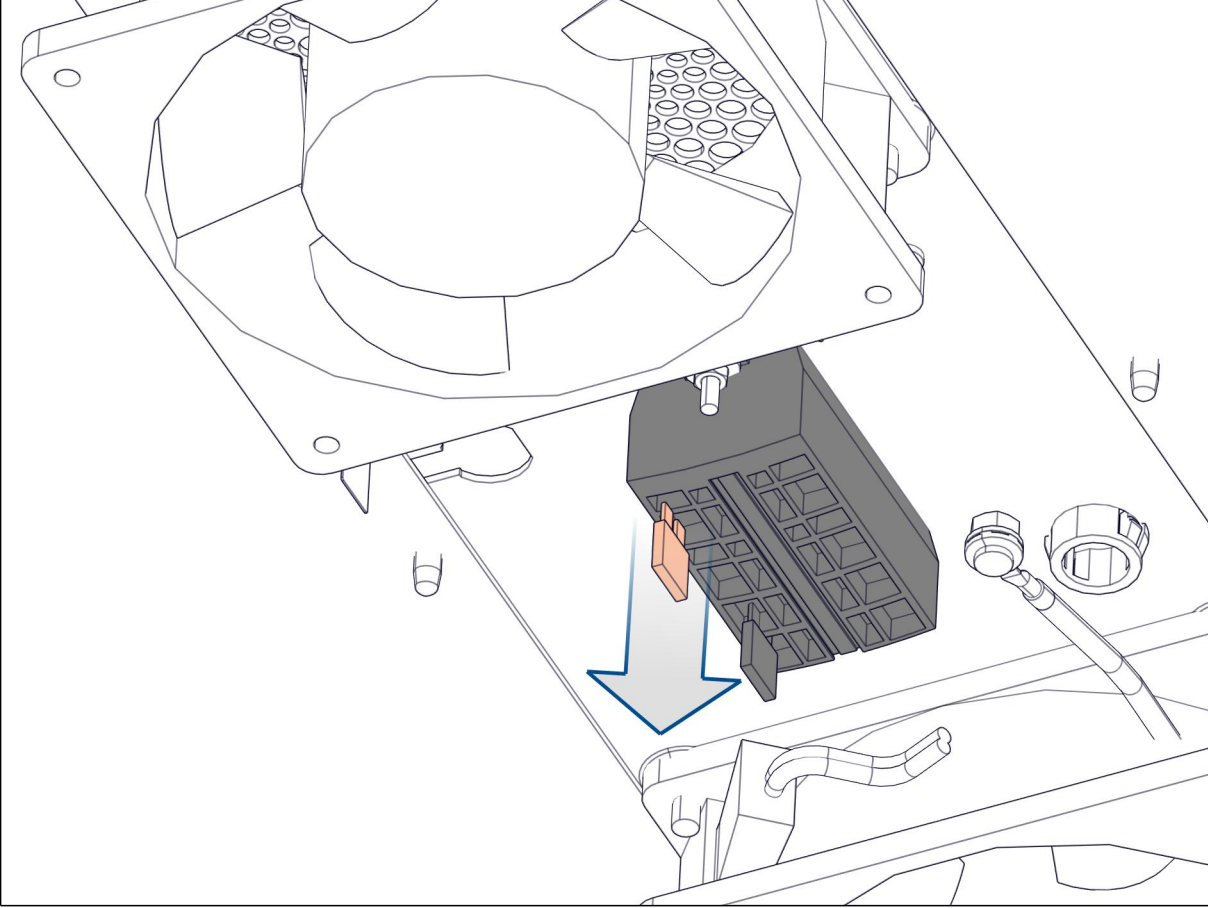
1



PH-2

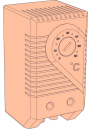
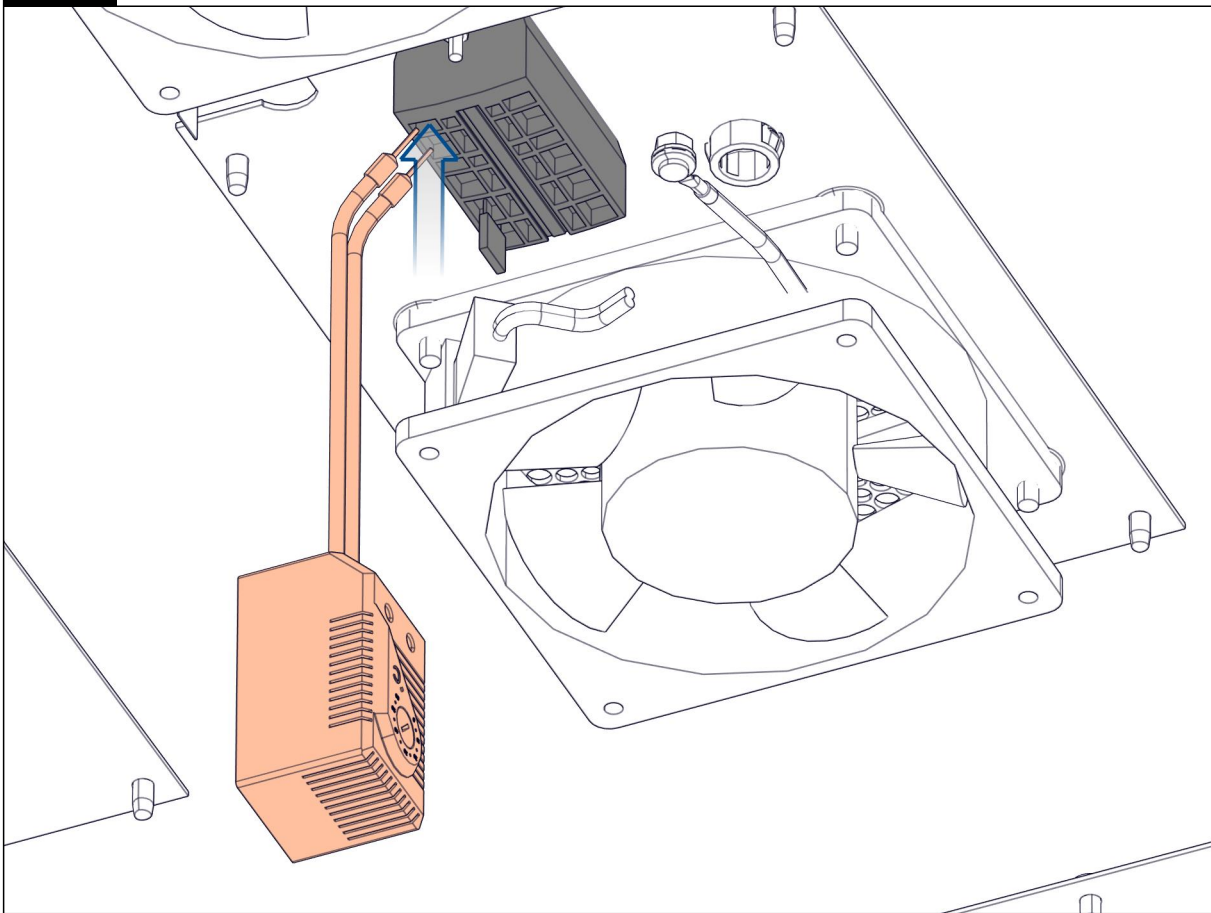
P-00135-1/000516-1

2



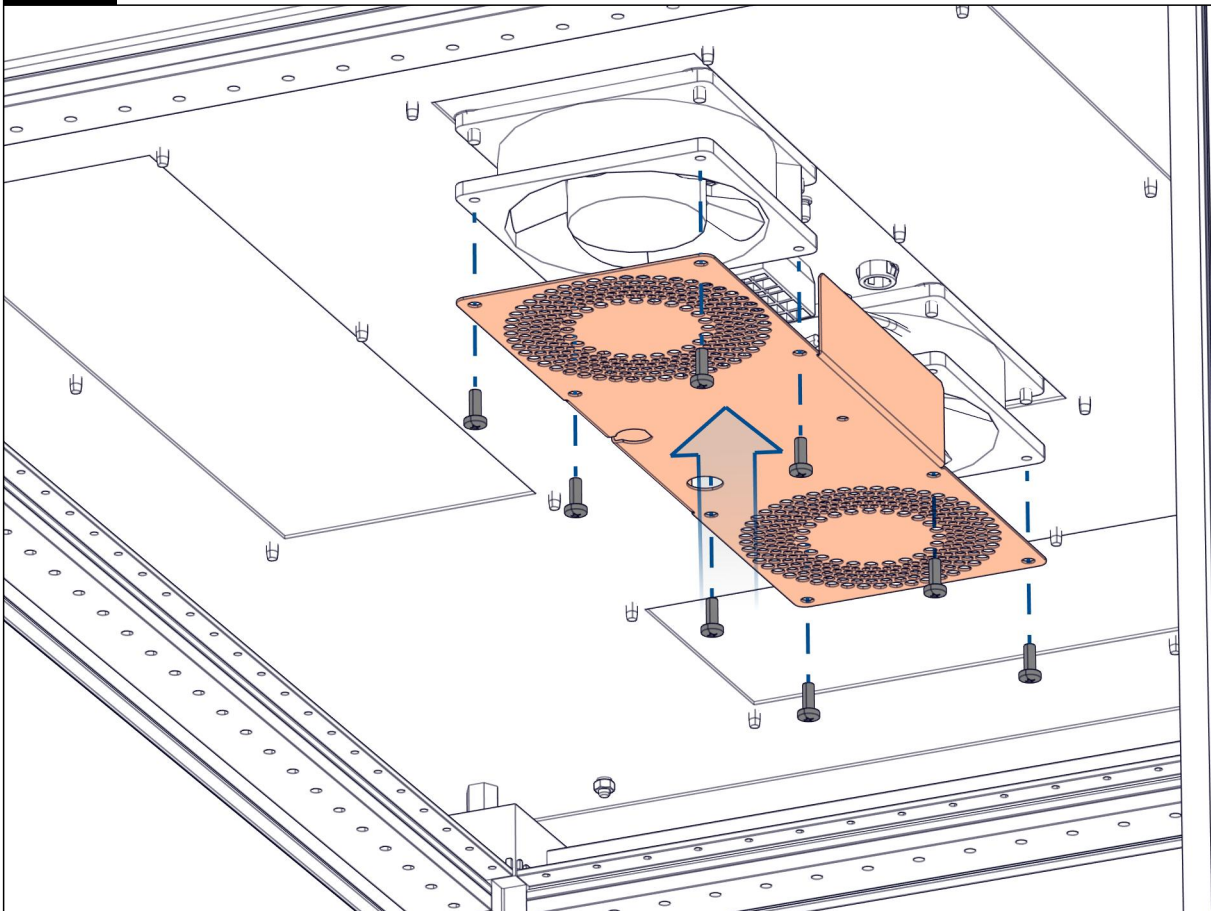
P-00135-1/000516-1

3



P-00135-1/000516-1

4



P-00135-1/000516-1



**Head office**  
and International Department  
87045 Limoges Cedex - France  
Tel: + 33 (0) 5 55 06 87 87  
Fax: + 33 (0) 5 55 06 74 55