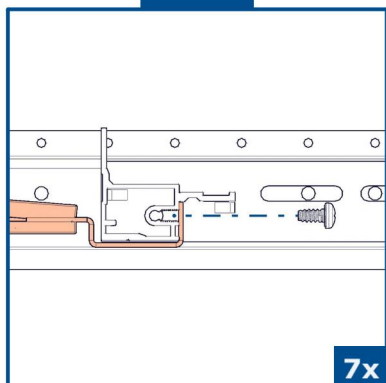
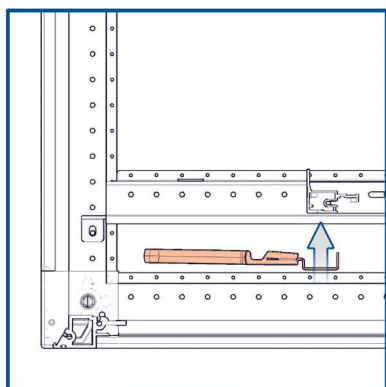


1

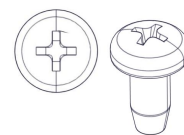
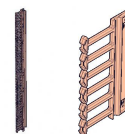
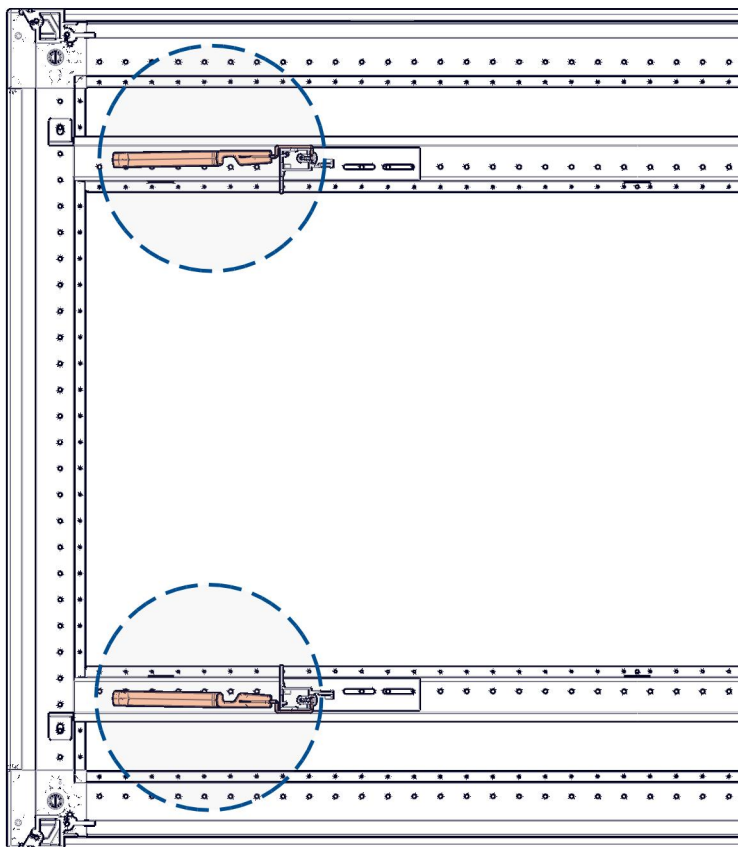


P-00060-0/000232-0

2



7x



ST4 8 x 10 (PH-2)



PH-2

HC000232-0-LL_1-EN

P-020200/0-09000-P