

Presence detectors - talis II P 360-24-1i

Item 18.06.0024.1



PRODUCT DESCRIPTION

The talis II P 360-24-1i is a PIR presence detector suitable for surface mounting, flush mounting or installation in a suspended ceiling. Its sensor detects the smallest of movements (e.g. at a workspace) within a diameter of 24 metres and through 360°. Like all the PIR devices, it features an integrated light sensor. The sensor constantly monitors lux levels and switches the electric consumer off when ambient brightness is sufficient, irrespective of any switch-off delay set. This ensures that the light is only on when you really need it. An extra quality-of-life feature is the remote control, which makes adjusting the presence detector really simple. This presence detector offers a high energy efficiency through regular light balancing and offline function when there is sufficient daylight.

APPLICATIONS

- ▶ Building Entrances and Corridors
- ▶ Classroom
- ▶ Conference Room
- ▶ Garage
- ▶ Hotel Rooms
- ▶ Indoor/Outdoor Lighting
- ▶ Light Control
- ▶ Offices
- ▶ Outdoor Applications
- ▶ Stairwells
- ▶ Storage Rooms
- ▶ Toilets
- ▶ Work and Meeting Spaces

TECHNICAL DATA

General

Model Number	18.06.0024.1
Description	talis II P 360-24-1i
EAN Code	4010940046101
Scope of application	Inside/Outside

Control Specifications

Light level	approx. 10 Lux - infinite Lux; Lux Memory
-------------	-------------------------------------------

Mechanical Specifications

Mounting Options	Flush Mounting; Surface Mounting (with accessories only); Ceiling (with accessories only)
------------------	-------------------------------------------------------------------------------------------

Dimensions

Product Height (mm)	105
Product Width (mm)	105
Product Depth (mm)	66.5

Material Specifications

Color	White (similar to RAL 9016)
Product Weight (kg)	0.136

Communication Method

IR interface	Remote operation
--------------	------------------

Electrical Specifications

Supply Voltage	AC 230 V \pm 10% 50-60 Hz
Load incandescent bulb	max. 2200 W
Load halogen lamp	max. 2200 W (AC); max. 1000 W (LV) conventional
Load compact fluorescent lamp	max. 140 μ F (non-compensated)
Load LED lamp	max. 600 W
Load energy-saving bulbs	max. 600 W (incl. CFL and PL lamp)
Power consumption (Standby)	<1 VA
Parallel switching	Max. 10 sensors

Display and Format

Angle of detection	360°
Range small movements	Ø 4 m
Range walking towards	Ø 6 m
Range walking across	Ø 24 m
Installation height	2,5 m
Time setting (1CH)	approx. 30 sec. - 30 min.

Operating Specifications

Operating mode	Learning Function; Test Mode
----------------	------------------------------

Environmental Specifications

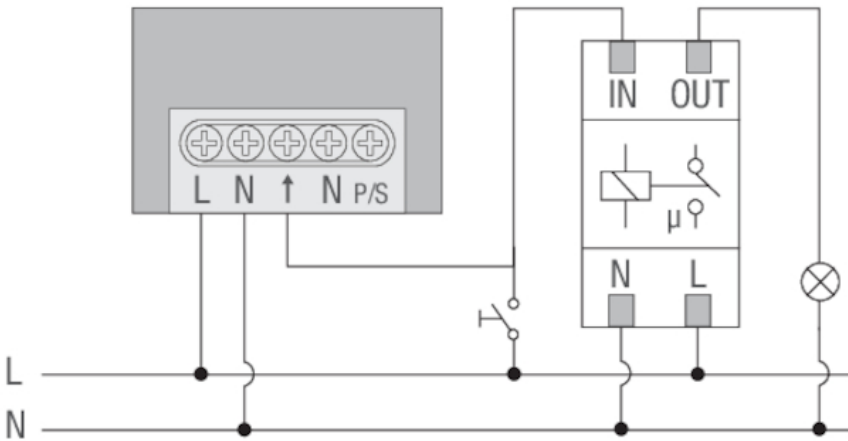
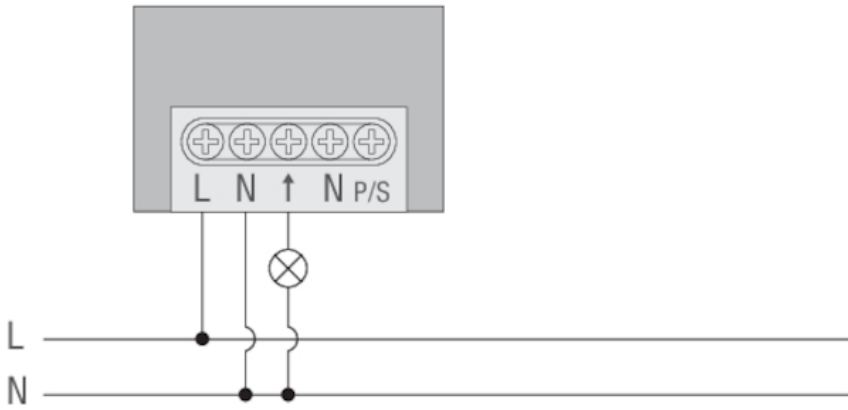
Temperature (operation)	-20°C..45°C
-------------------------	-------------

Standards and Certifications

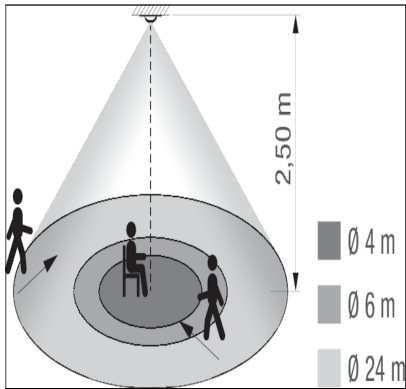
Approval mark	CE
Protection class	II, According to Corresponding Mounting
Protection type	IP20, IP54 with Sealing
Standards and Guidelines	EN 55015; EN 60669-1; EN 61000-3-3; EN 61547; 2006/95/CE (LVD); EN 60660-2-1; 2004/108/CE (EMV); EN 61000-3-2

ANNEX

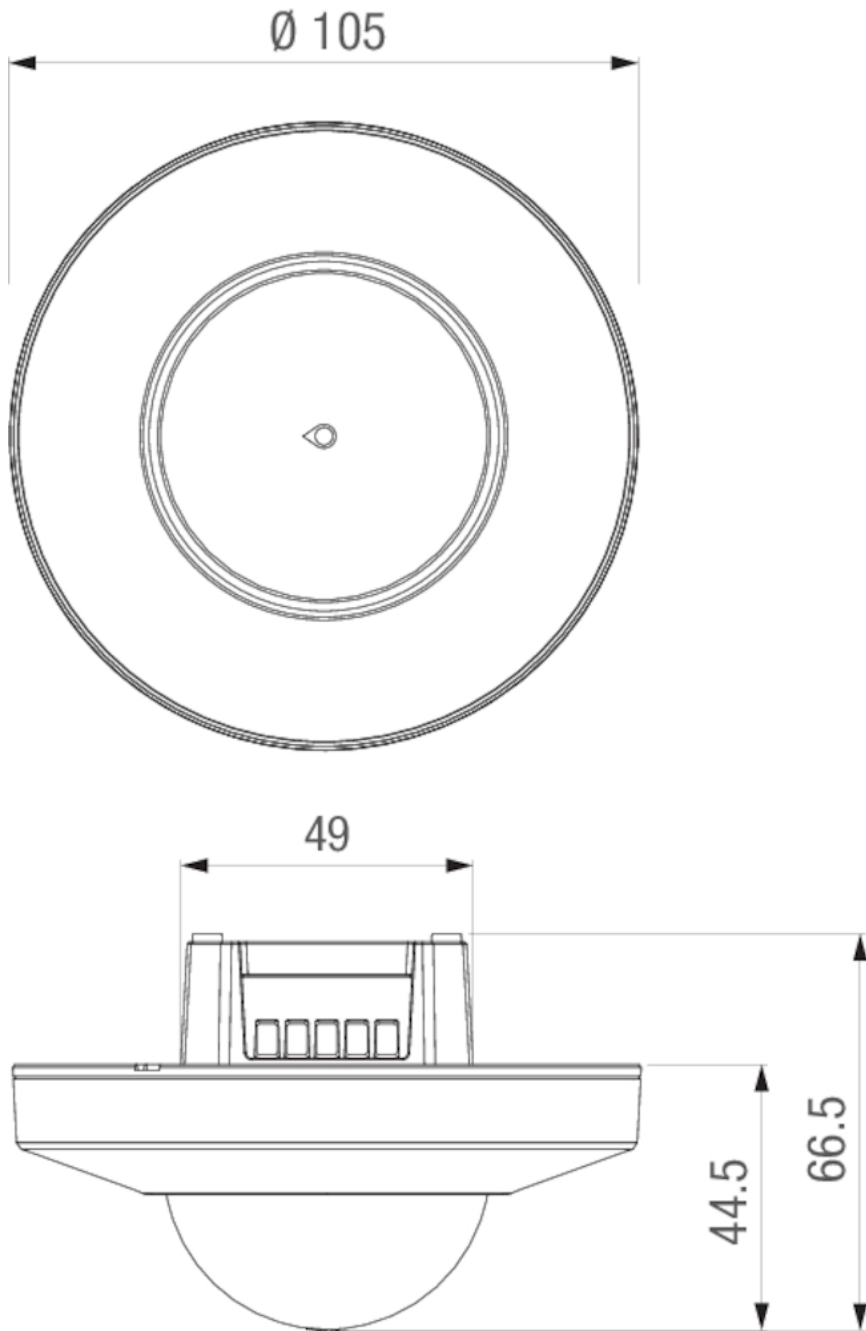
CIRCUIT DIAGRAMS



RANGE DIAGRAMS



DIMENSIONAL DRAWINGS



ACCESSORIES



07.10.0006.1
talis II RC IR10



07.10.0005.1
talis II FC BOX 20



07.10.0004.1
talis II SM BOX 20