

## Presence detectors - talis II P 360-10-2 HF

Item 18.06.0023.1



### PRODUCT DESCRIPTION

This presence detector can be said to see through walls. It features high-frequency technology at 5.8 GHz and utilises the Doppler radar effect. Thanks to its high sensitivity, it can detect even minute hand movements. Also, unlike the PIR presence detectors, it does not suffer from blind spots in its surveillance area: both radially and tangentially, and irrespective of the axis of motion, its range is huge. Its capacity to see through glass, brick or wood allows for concealed installation. If there are certain areas you wish to exclude from detection, the detector can be set up accordingly. The high-frequency presence detector is unaffected by temperature and operate reliably even in unfavourable climates. The dual-channel version lets you connect an additional consumer besides a light. This presence detector offers a high energy efficiency through regular light balancing and offline function when there is sufficient daylight.

### APPLICATIONS

- ▶ Air Conditioning
- ▶ Building Entrances and Corridors
- ▶ Classroom
- ▶ Copy Room
- ▶ Garage
- ▶ Heating
- ▶ Hotel Rooms
- ▶ HVAC Control Circuits
- ▶ Indoor Lighting
- ▶ Light Control and Ventilation
- ▶ Residential
- ▶ Stairwells
- ▶ Storage Rooms
- ▶ Toilets
- ▶ Ventilation
- ▶ Work and Meeting Spaces

### TECHNICAL DATA

#### General

Model Number	18.06.0023.1
Description	talis II P 360-10-2 HF
Brand	Grässlin
EAN Code	4010940046040
Scope of application	Inside/Outside

#### Control Specifications

Light level	approx. 10 Lux - infinite Lux; Lux Memory
-------------	---

#### Mechanical Specifications

Mounting Options	Surface Mounting (with accessories only); False Ceiling
------------------	---

#### Dimensions

Product Height (mm)	80
Product Width (mm)	80
Product Depth (mm)	70

#### Material Specifications

Color	White (similar to RAL 9016)
Product Weight (kg)	0.148

### Electrical Specifications

Supply Voltage	AC 230 V $\pm$ 10% 50-60 Hz
Load incandescent bulb	max. 2000 W
Load halogen lamp	1000 W (AC); max. 900 W (LV) electronic
Load compact fluorescent lamp	max. 100 $\mu$ F (non-compensated)
Load LED lamp	max. 400 W
Load energy-saving bulbs	400 W; incl. CFL and PL lamp
Power consumption (Standby)	<1 VA
Parallel switching	Max 6 Sensors

### Display and Format

Angle of detection	360°
Range small movements	$\emptyset$ 4 m
Range walking towards	$\emptyset$ 10 m
Range walking across	$\emptyset$ 10 m
Installation height	2,5 m
Time setting (1CH)	approx. 5 sec. - 30 min
Time setting (2CH)	approx. 10 sec. - 60 min.

### Operating Specifications

Operating mode	Impulse function; Test Mode; Learning Function
----------------	--

### Environmental Specifications

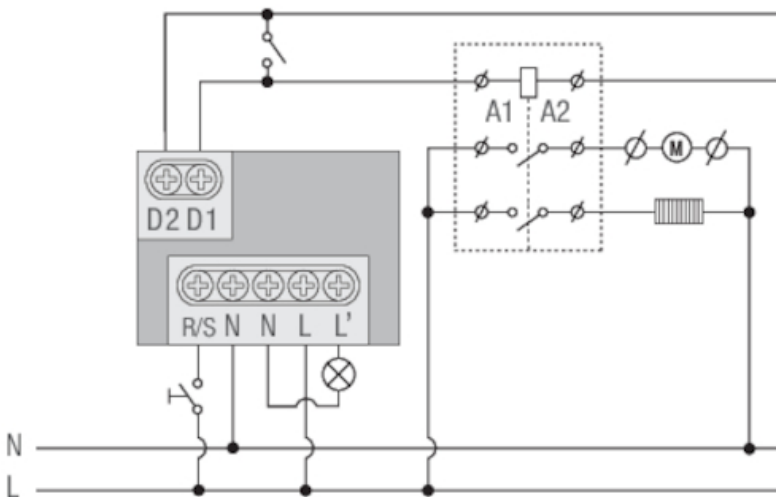
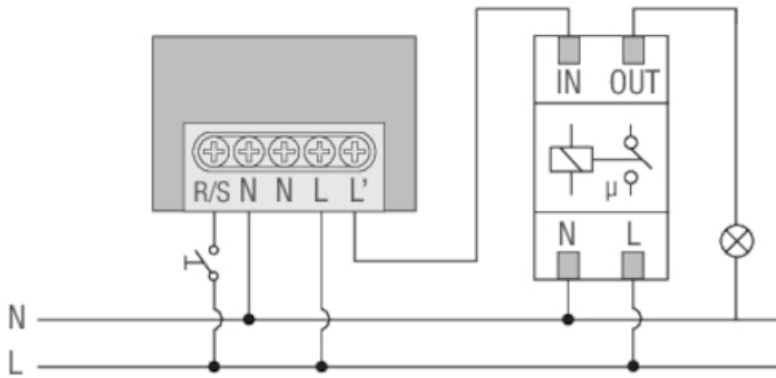
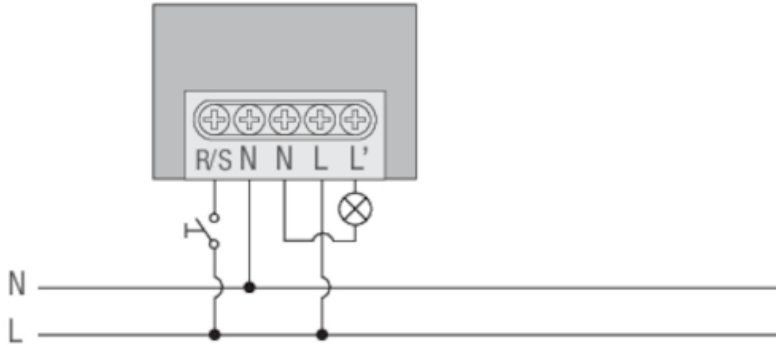
Temperature (operation)	-20°C..50°C
-------------------------	-------------

### Standards and Certifications

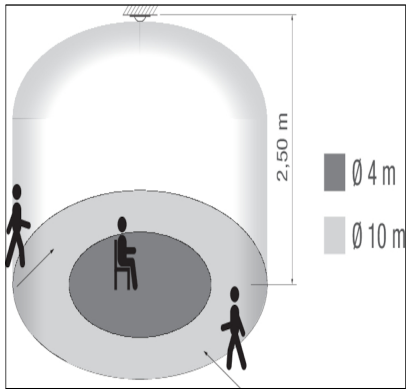
Approval mark	CE
Protection class	II, According to Corresponding Mounting
Protection type	IP54
Standards and Guidelines	EN 55015; EN 60669-1; EN 61000-3-3; EN 61547; 2006/95/CE (LVD); EN 60660-2-1; 2004/108/CE (EMV); EN 61000-3-2

## ANNEX

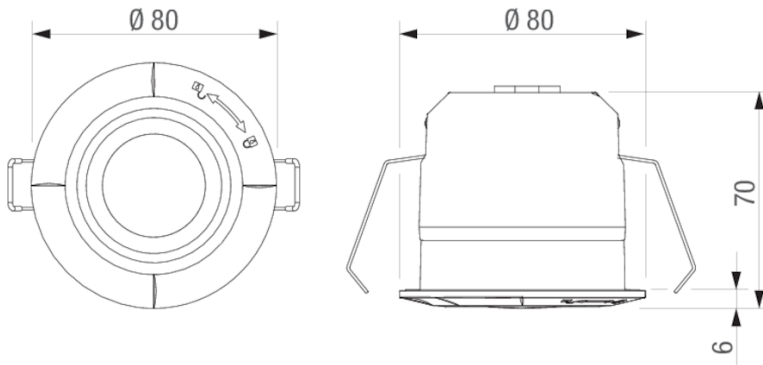
### CIRCUIT DIAGRAMS



## RANGE DIAGRAMS



**DIMENSIONAL DRAWINGS**



---

## ACCESSORIES



07.10.0003.1  
talis II SM BOX 10