

Presence detectors - talis II P 360-10-1 HF

Item 18.06.0022.1



PRODUCT DESCRIPTION

This presence detector can be said to see through walls. It features high-frequency technology at 5.8 GHz and utilises the Doppler radar effect. Thanks to its high sensitivity, it can detect even minute hand movements. Also, unlike the PIR presence detectors, it does not suffer from blind spots in its surveillance area: both radially and tangentially, and irrespective of the axis of motion, its range is huge. Its capacity to see through glass, brick or wood allows for concealed installation. If there are certain areas you wish to exclude from detection, the detector can be set up accordingly. The high-frequency presence detector is unaffected by temperature and operate reliably even in unfavourable climates. This presence detector offers a high energy efficiency through regular light balancing and offline function when there is sufficient daylight.

APPLICATIONS

- ▶ Building Entrances and Corridors
- ▶ Classroom
- ▶ Copy Room
- ▶ Garage
- ▶ Hotel Rooms
- ▶ Indoor Lighting
- ▶ Light Control
- ▶ Residential
- ▶ Stairwells
- ▶ Storage Rooms
- ▶ Toilets
- ▶ Work and Meeting Spaces

TECHNICAL DATA

General	
Model Number	18.06.0022.1
Description	talis II P 360-10-1 HF
EAN Code	4010940046033
Scope of application	Inside
Control Specifications	
Light level	approx. 10 Lux - infinite Lux; Lux Memory
Mechanical Specifications	
Mounting Options	Wall; Ceiling; Surface Mounting (with accessories only); False Ceiling
Dimensions	
Product Height (mm)	80
Product Width (mm)	80
Product Depth (mm)	70
Material Specifications	
Color	White (similar to RAL 9016)
Product Weight (kg)	0.139
Electrical Specifications	
Supply Voltage	AC 230 V \pm 10% 50-60 Hz
Load incandescent bulb	max. 2000 W

Load halogen lamp	1000 W (AC); max. 900 W (LV) electronic ; max. 600 W (LV) conventional
Load compact fluorescent lamp	max. 100 µF (non-compensated)
Load LED lamp	max. 400 W
Load energy-saving bulbs	400 W; incl. CFL and PL lamp
Power consumption (Standby)	<1 VA
Parallel switching	Max 6 Sensors

Display and Format

Angle of detection	360°
Range small movements	Ø 4 m
Range walking towards	Ø 10 m
Range walking across	Ø 10 m
Installation height	2,5 m
Time setting (1CH)	approx. 5 sec. - 30 min

Operating Specifications

Operating mode	Impulse function; Test Mode; Learning Function
----------------	--

Environmental Specifications

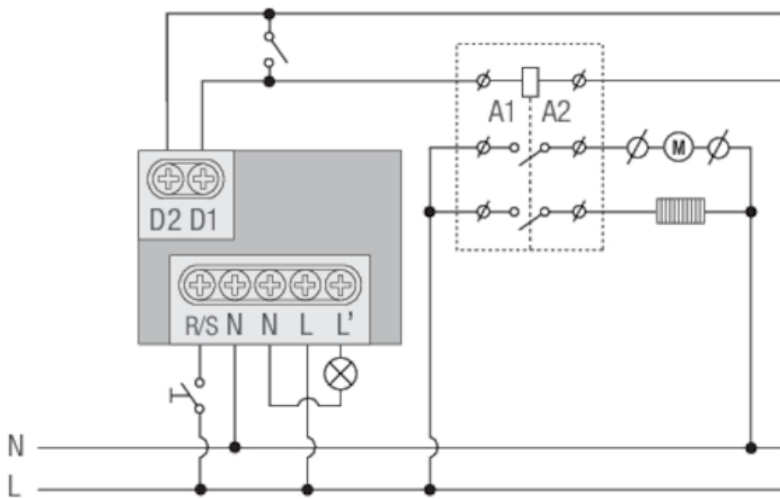
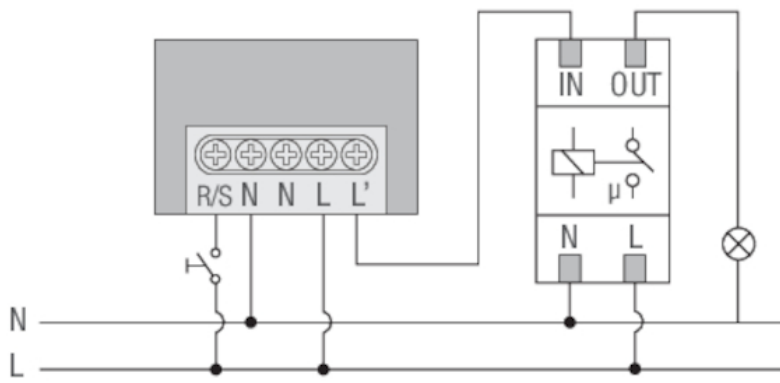
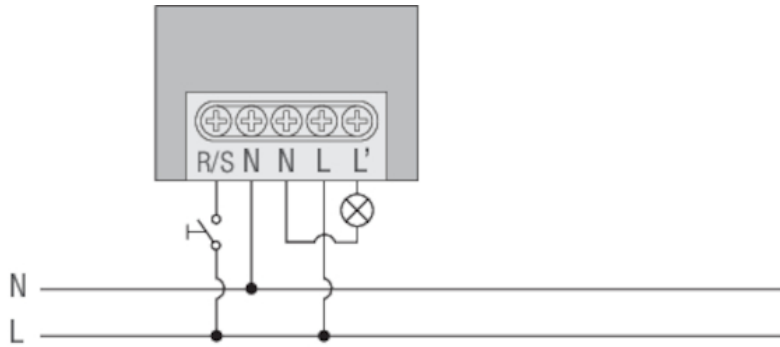
Temperature (operation)	-20°C..50°C
-------------------------	-------------

Standards and Certifications

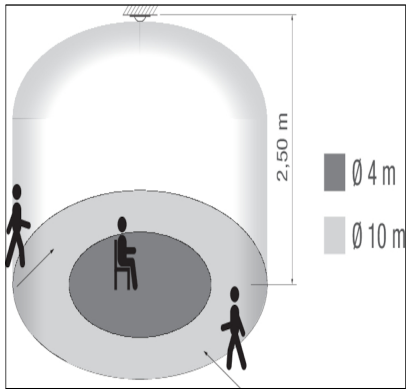
Approval mark	CE
Protection class	II, According to Corresponding Mounting
Protection type	IP54
Standards and Guidelines	EN 55015; EN 60669-1; EN 61000-3-3; EN 61547; 2006/95/CE (LVD); EN 60660-2-1; 2004/108/CE (EMV); EN 61000-3-2

ANNEX

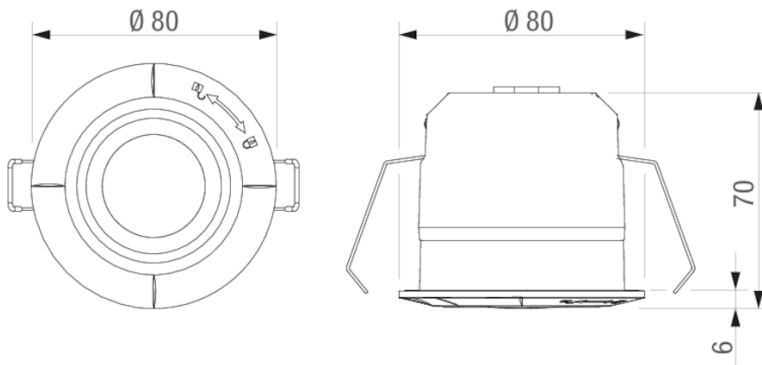
CIRCUIT DIAGRAMS



RANGE DIAGRAMS



DIMENSIONAL DRAWINGS



ACCESSORIES



07.10.0003.1
talis II SM BOX 10