

Presence detectors - talis II P 360-8-2

Item 18.06.0017.1



PRODUCT DESCRIPTION

This presence detector utilizes passive infrared technology (PIR) and is designed for flush mounting, but if desired can be converted for surface mounting with the talis II SM box 10 accessory. This way, it can be integrated discreetly, regardless of their surroundings' design. Setup is performed after installation using the rotary knobs on the side of the presence detector, which are then concealed behind a cover. That dual-channel variant P 360-8-2 lets you connect a second consumer via its second channel, for example an air-conditioning unit or heater. This presence detector offers a high energy efficiency through regular light balancing and offline function when there is sufficient daylight.

APPLICATIONS

- ▶ Air Conditioning
- ▶ Building Entrances and Corridors
- ▶ Classrooms
- ▶ Copy Room
- ▶ Garage
- ▶ Heating
- ▶ Hotel Rooms
- ▶ HVAC Control Circuits
- ▶ Indoor/Outdoor Lighting
- ▶ Light Control and Ventilation
- ▶ Offices
- ▶ Outdoor Applications
- ▶ Residential
- ▶ Stairwells
- ▶ Storage Rooms
- ▶ Toilets
- ▶ Work and Meeting Spaces

TECHNICAL DATA

General

Model Number	18.06.0017.1
Description	talis II P 360-8-2
EAN Code	4010940045982
Scope of application	Inside/Outside

Control Specifications

Light level	approx. 10 Lux - infinite Lux; Lux Memory
-------------	---

Mechanical Specifications

Mounting Options	Ceiling; Surface Mounting (with accessories only); False Ceiling
------------------	--

Dimensions

Product Height (mm)	80
Product Width (mm)	80
Product Depth (mm)	85

Material Specifications

Color	White (similar to RAL 9016)
Product Weight (kg)	0.156

Electrical Specifications

Supply Voltage	AC 230 V \pm 10% 50-60 Hz
Load incandescent bulb	max. 2000 W
Load halogen lamp	1000 W (AC); 1000 VA / 900 W (LV Electronic); 1000 VA / 600 W (LV Conventional)
Load compact fluorescent lamp	max. 100 μ F (non-compensated)
Load LED lamp	max. 400 W
Load energy-saving bulbs	400 W; 600 VA; incl. CFL and PL lamp
Power consumption (Standby)	<1 VA
Parallel switching	Max 6 Sensors

Display and Format

Angle of detection	360°
Range small movements	Ø 3 m
Range walking towards	Ø 4 m
Range walking across	Ø 8 m
Installation height	2,5 m
Time setting (1CH)	approx. 5 sec. - 30 min
Time setting (2CH)	approx. 10 sec. - 60 min.

Operating Specifications

Operating mode	Impulse function; Test Mode; Learning Function
----------------	--

Environmental Specifications

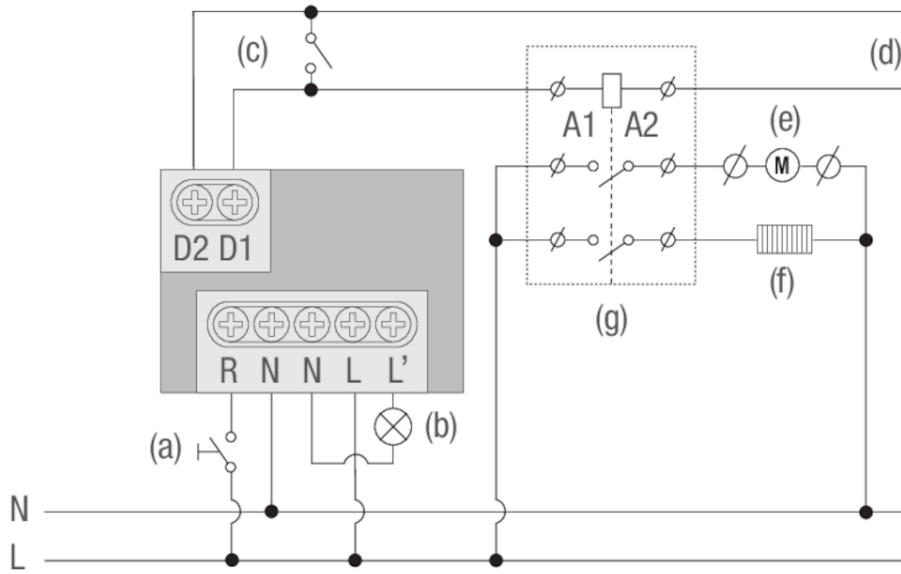
Temperature (operation)	0°C..45°C
-------------------------	-----------

Standards and Certifications

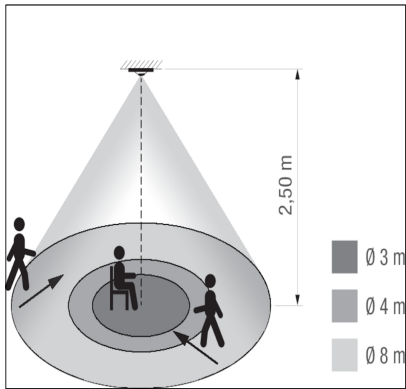
Approval mark	CE
Protection class	II, According to Corresponding Mounting
Protection type	IP44
Standards and Guidelines	EN 55015; EN 60669-1; EN 61000-3-3; EN 61547; 2006/95/CE (LVD); EN 60660-2-1; 2004/108/CE (EMV); EN 61000-3-2

ANNEX

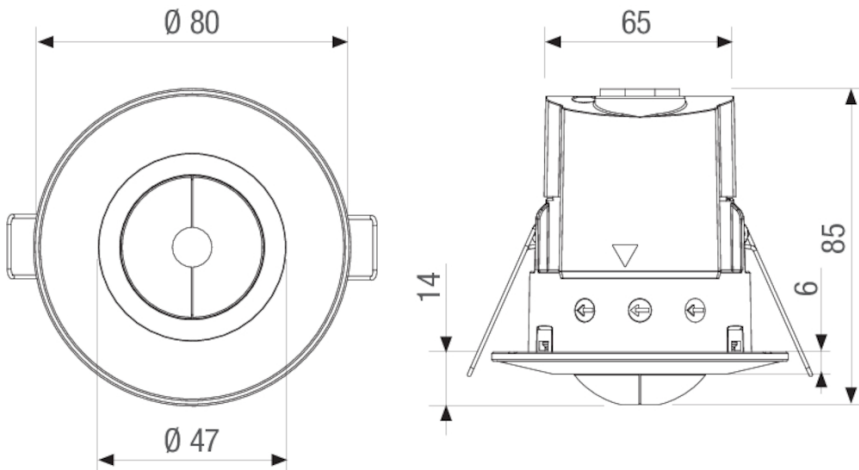
CIRCUIT DIAGRAMS



RANGE DIAGRAMS



DIMENSIONAL DRAWINGS



ACCESSORIES



07.10.0003.1
talis II SM BOX 10