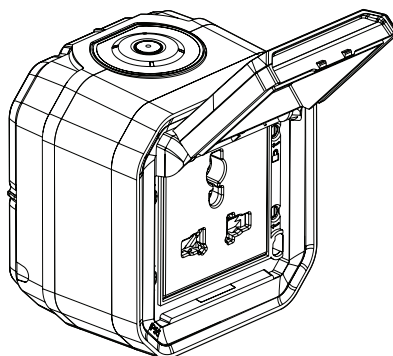


# Plexo™

## 2P+E Multistandard socket


Cat. No(s): 0 697 48L



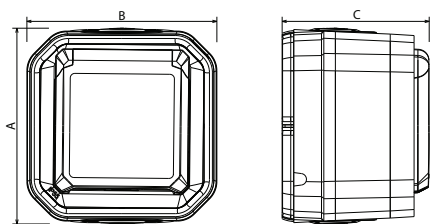
### 1. USE

Waterproof equipment system intended for residential and professional technical locations (garages, cellars, car parks, workshops and industrial kitchens, etc.) as well as outdoor environments (terraces, gardens, campsites, etc.).  
Multistandard socket.

### 2. RANGE

		References: Designations
Surface-mounting complete		Multistandard socket

### 3. OVERALL DIMENSIONS (mm)



	A	B	C
0 697 48L	84.5	82	63.55

### 4. CONNECTION

Type of terminals: screw  
Terminal capacity: 4 x 2.5 mm<sup>2</sup> - 3 x 4 mm<sup>2</sup> - 2 x 6 mm<sup>2</sup>  
Stripping length: 12 mm

### 5. TECHNICAL CHARACTERISTICS

#### ■ 5.1 Protection index

Protection against solid bodies and liquids: IP 55  
Protection against impact: IK 08

#### ■ 5.2 Material characteristics

Box, entry gland: PP + SEBS  
Support : PC + SEBS  
Mechanism: PC  
UV-resistant  
Halogen-free  
Resistance to salt spray: 7 days (168 h)  
Self-extinguishing:  
850°C/30 s for insulating components holding live parts in place.  
650°C/30 s for other insulating components.

#### ■ 5.3 Electrical characteristics

Voltage: 250 V~  
Courant: 2.5-5-6-10-13-16 A  
Voltage: 127 V~  
Courant: 15 A  
Frequency: 50/60 Hz

#### ■ 5.4 Climate characteristics

Usage temperature: - 10° à + 40° C  
Storage temperature: - 25° C à + 60° C

### 6. CLEANING

Surface cleaning with a cloth.  
Do not use: acetone, tar remover, trichloroethylene.  
Maintenance with the following products: Hexane (EN 60669-1), Methylated spirit, Soapy water, Diluted ammonia, Bleach diluted to 10%, Window-cleaning products, Pre-saturated wipes.

**Caution:** A preliminary test should be carried out if other specific cleaning products are to be used.

### 7. STANDARDS AND APPROVALS

Compliance with standards of installation and manufacturing.  
Refer to e. catalogue.