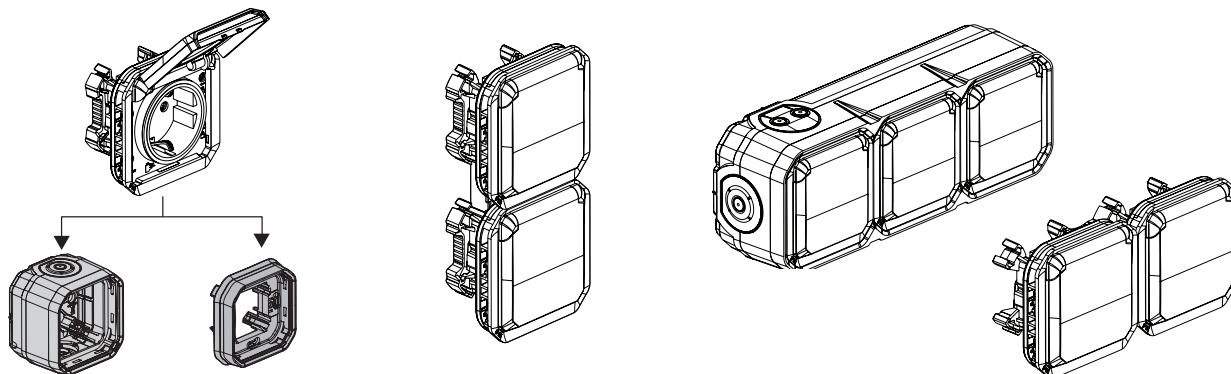


Plexo™
2P+E Schuko socket outlets - Pre-wired

Cat. No(s): 0 695 76L/77L/78L
 0 696 75L
 0 697 42L/43L/44L/72L
 0 698 79L



1. USE

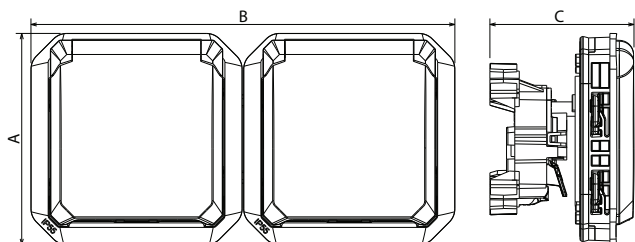
Weatherproof wiring accessory system for residential and professional plant rooms (garages, cellars, car parks, industrial workshops and kitchens) as well as outdoor environments (terraces, gardens, camp sites, etc).
 Prewired socket outlets with shutters.

2. RANGE

		References
Configurable		0 695 76L 0 696 75L 0 698 79L
		0 695 77L
		0 695 78L
Surface-mounting complete		0 697 42L 0 697 72L
		0 697 44L
		0 697 43L

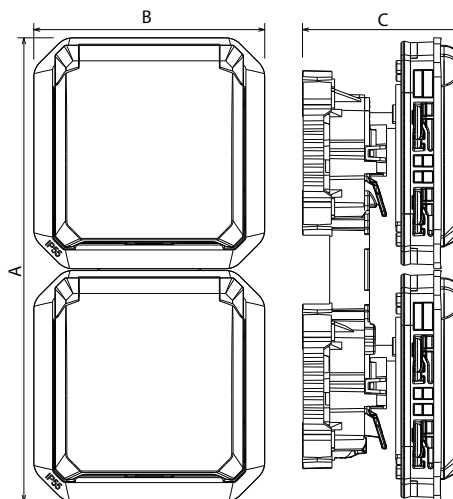
3. OVERALL DIMENSIONS (mm)

■ Configurable horizontal



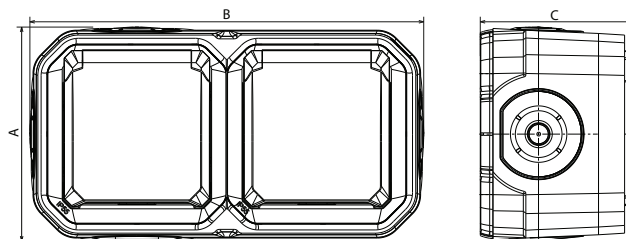
3. OVERALL DIMENSIONS (mm) (continued)

■ Configurable vertical



	A	B	C
2 x 2P+T socket horizontal	70.5	141.5	48.1
2 x 2P+T socket vertical	141.5	70.5	48.1
3 x 2P+T socket horizontal	70.5	212.5	48.1

■ Surface-mounting



	A	B	C
2 x 2P+T socket horizontal	84.5	155.55	61.55
2 x 2P+T socket vertical	155.5	84.5	61.55
3 x 2P+T socket horizontal	84.5	212.5	61.55

4. CONNECTION

Type of terminals: automatic
Terminal capacity: 1.5 mm² - 2.5 mm² (1 or 2 conductors)
Stripping length: 12 mm

5. TECHNICAL CHARACTERISTICS

■ 5.1 Protection index

Protection contre les corps solides et liquides : IP 55
Protection contre les chocs : IK 08

■ 5.2 Material characteristics

Box, support: PP reinforced
Front plate, rocker: ABS
Entry gland, cover plate: PP + SEBS
Mechanism: PC

UV-resistant
Halogen-free

Resistance to salt spray: 7 days (168 h)

Self-extinguishing:

850°C/30 s for insulating components holding live parts in place.
650°C/30 s for other insulating components.

■ 5.3 Electrical characteristics

Voltage: 250 V~
Current: 16 A
Frequency: 50 Hz

■ 5.4 Climate characteristics

Usage temperature: - 10° à + 40° C
Storage temperature: - 25° C à + 60° C

6. CLEANING

Surface cleaning with a cloth.

Do not use: acetone, tar remover, trichloroethylene.

Maintenance with the following products: Hexane (EN 60669-1),
Methylated spirit, Soapy water, Diluted ammonia, Bleach diluted to 10%,
Window-cleaning products, Pre-saturated wipes.

Caution: A preliminary test should be carried out if other specific
cleaning products are to be used.

7. STANDARDS AND APPROVALS

Compliance with standards of installation and manufacturing.
Refer to e.catalogue.