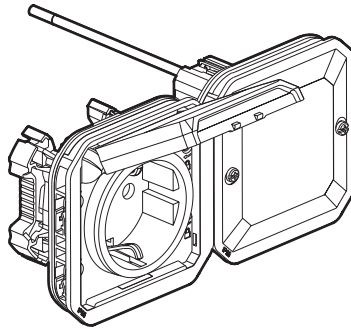


Plexo™ with Netatmo

Weatherproof connected 2P+E power outlet - German standard

Cat. No(s): 0 698 77L/87L/97L



1. USE

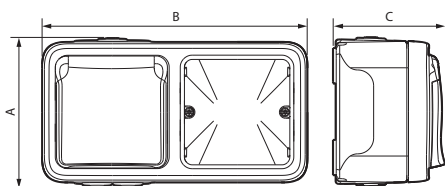
Connected power outlet which can be controlled by a wireless light switch and/or via a smartphone and/or via a voice assistant. This product consists of a connected accessory for which you first need to purchase and install the connected "...with Netatmo" starter pack. With its IP55 weatherproofing, this product can be used to plug in an electrical appliance in places where damp and dust can be an issue (garage, cellar, workshop, kitchen, etc) as well as outdoors (terrace, etc). Built-in protection against electrical overloads, for increased safety. To be equipped with a 2-gang surface-mounting box or plate support for surface-mounted or flush-mounted installation. Fixes directly on the wall.

2. RANGE

IP55 connected 2P+E power outlet - German standard
 Equipped with an LED indicator with locator function which can be activated in the Home + Control app and a RESET button (concealed) used to return to factory settings.

Grey	White	Anthracite
0 698 77L	0 698 87L	0 698 97L

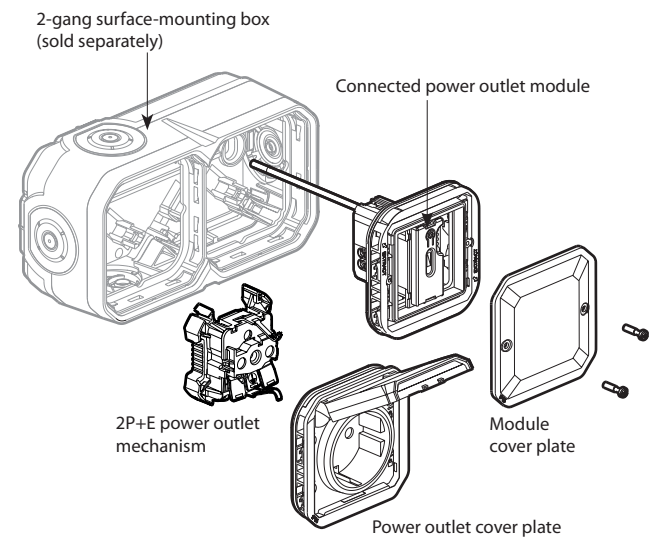
3. DIMENSIONS (mm)



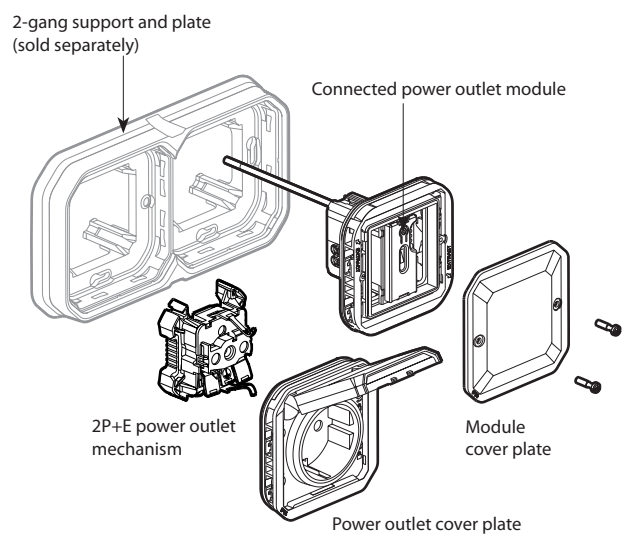
A	B	C
70.5	141.5	50.5

4. COMPOSITION

4.1 Surface-mounting



4.2 Flush-mounting



Plexo™ with Netatmo

Weatherproof connected 2P+E power outlet - German standard

Cat. No(s): 0 698 77L/87L/97L

5. CONNECTION

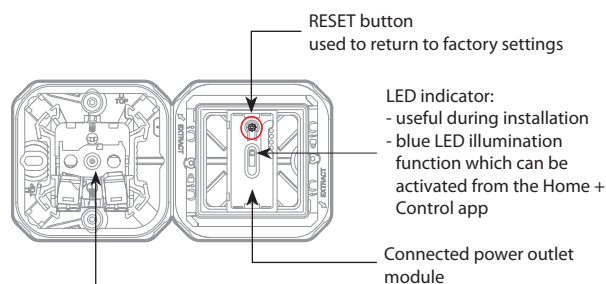
• 2P+E power outlet:

Terminal type: automatic
Number of terminals: 3 inputs, 3 outputs
Terminal capacity: 2 x 2.5 mm²
Stripping length: 11 mm

• Module:

Terminal type: screw
Terminal capacity: 2 x 2.5 mm²
Stripping length: 7 mm

6. OPERATION



16 A connected power outlet
Extra built-in protection in the event of overloads of more than 16 A.

7. TECHNICAL CHARACTERISTICS

■ 7.1 Mechanical characteristics

Protection against impacts: IK 08
Protection against solid bodies and/or liquids: IP 55

■ 7.2 Material characteristics

Connected power outlet module:

Module cover plate: PC
Blanking plate: ABS
Adaptor: PP + SEBS

2P+E power outlet:

Power outlet cover plate: PP + SEBS
Cover: ABS

Surface-mounting box:

Frame: ABS
Plate and membrane glands: PP + SEBS

Flush-mounting support-plate

Support: PP + fibreglass + SEBS
Ring: ABS

Halogen-free
UV resistant

Self-extinguishing:
850°C/30 s for insulating components holding live parts in place
650°C/30 s for the other insulating components

■ 7.3 Electrical characteristics

Voltage: 110/230 V~
Current: 16 A
Power: 3680 W max.
Standby consumption: 0.1 mA
Frequency bands: 2.4 GHz to 2.4835 GHz
Power level: < 100 mW
Range: 200 m of unobstructed space between 2 wired products
10 m between products indoors.

■ 7.4 Climate characteristics

Storage temperature: 0°C to +45°C
Usage temperature: +5°C to +45°C

8. CARE

Clean the surface with a cloth.
Do not use acetone, tar-removing cleaning agents or trichloroethylene.
Resistant to the following products: Hexane, methylated spirit, soapy water, diluted ammonia, bleach diluted to 10%, window-cleaning products, pre-impregnated wipes.

Caution: Always test before using other special cleaning products.

The product must not be painted.

9. STANDARDS AND APPROVALS

Compliant with installation and manufacturing standards.
See e-catalogue.

LEGRAND declares that the radio-electric equipment type (0 698 77L/87L/97L) complies with directive 2014/53/EU.

The full text of the EU declaration of conformity is available on the following website: www.legrandoc.com