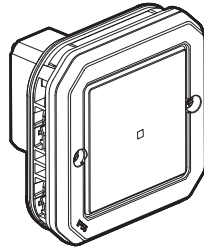


Plexo™ with Netatmo
Weatherproof connected 150 W LED switch with neutral with dimmer option

Cat. No(s): 0 698 76L/96L



1. USE

150 W LED connected switch with neutral with dimmer option, configured by default as ON/OFF (dimmer mode can be activated from the Home + Control app).

Can be used in conjunction with one or more wireless light switches and/or one or more mechanical push-buttons.

For local or remote control of your lighting.

With its IP55 weatherproofing, this product can be used to control a light or electrical appliance in places where damp and dust can be an issue (garage, cellar, workshop, kitchen, etc) as well as outdoors (terrace, etc).

To be fitted with a surface-mounting box or plate support for surface-mounted or flush-mounted installation.

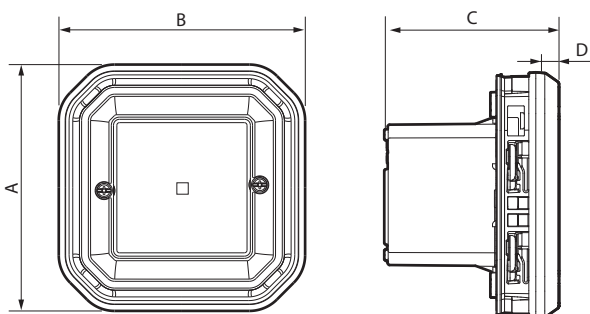
Easy to install in place of a standard switch.

2. RANGE

Product for use in conjunction with the "with Netatmo" starter pack. Equipped with an LED indicator (configuration) and a RESET button (concealed) used to return to factory settings

Grey	Anthracite
0 698 76L	0 698 96L

3. DIMENSIONS (mm)

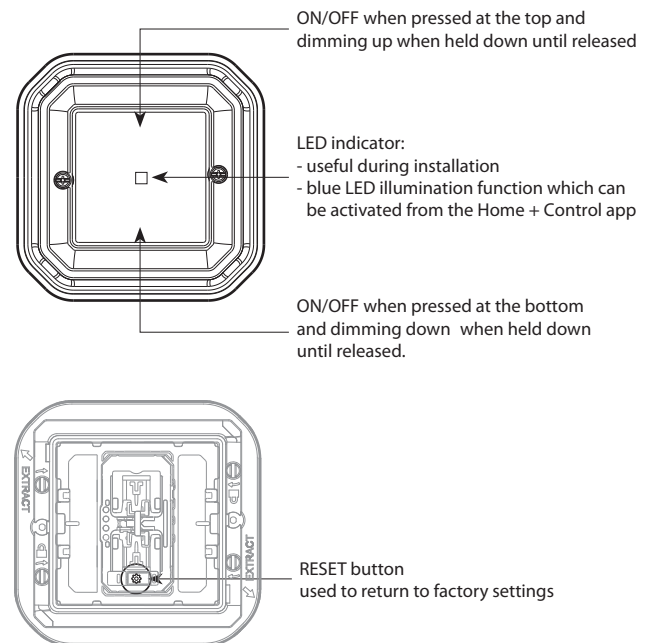


A	B	C	D
85.5	85.5	50	5

4. CONNECTION

Terminal type: screw
 Terminal capacity: 2 x 1.5 mm² - 1 x 2.5 mm²
 Stripping length: 7 mm
 Flat screwdriver: 3 mm

5. OPERATION



Plexo™ with Netatmo

Weatherproof connected 150 W LED switch with neutral with dimmer option

5. TECHNICAL CHARACTERISTICS

■ 5.1 Mechanical characteristics

Protection against impacts: IK 08

Protection against solid bodies and/or liquids: IP 55

■ 5.2 Material characteristics

Base: ABS

Plate: ABS

Cover plate: PP + SEBS

Rocker plate: Painted ABS

Transparent membrane: SEBS

Halogen-free

UV resistant

Self-extinguishing:

850°C/30 s for insulating components holding live parts in place

650°C/30 s for the other insulating components

■ 5.3 Electrical characteristics

Voltage: 110-240 V~

Power: 150 W

Frequency: 50/60 Hz

Standby consumption: 0.7 W

The connected switch (with dimmer option) works with conventional or dimmer bulbs, including LED bulbs. Dimmable LEDs must be used to ensure optimal installation operation in dimming mode.

Zigbee technology: 2.4 GHz to 2.4835 GHz

Power level: < 100 mW

Range: 200 m in unobstructed space

10 m between products indoors

■ 5.4 Climate characteristics

Usage temperature: +5°C to +45°C

Storage temperature: 0°C to +45°C

6. CARE

Clean the surface with a cloth.

Do not use acetone, tar-removing cleaning agents or trichloroethylene.

Resistant to the following products: Hexane, methylated spirit, soapy water, diluted ammonia, bleach diluted to 10%, window-cleaning products, pre-impregnated wipes.

Caution: Always test before using other special cleaning products.

The product must not be painted.

7. STANDARDS AND APPROVALS

Compliant with installation and manufacturing standards.

See e-catalogue.

LEGRAND declares that the radio-electric equipment type (0 698 76L/ 96L) complies with directive 2014/53/EU.

The full text of the EU declaration of conformity is available on the following website: www.legrandoc.com