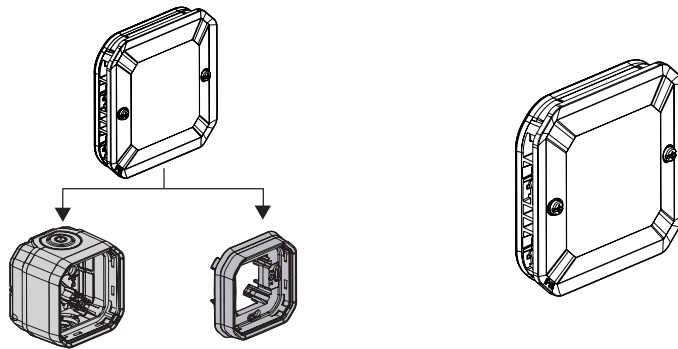


Plexo™ Blanking plate

Cat. No(s): 0 695 37L
 0 696 37L
 0 698 37L
 0 698 47L



1. USE

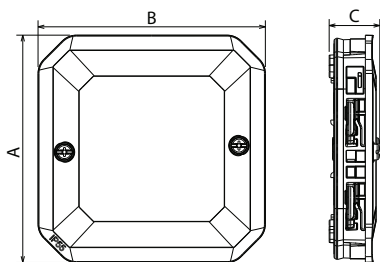
Waterproof equipment system intended for residential and professional technical locations (garages, cellars, car parks, workshops and industrial kitchens, etc.) as well as outdoor environments (terraces, gardens, campsites, etc.).

Enables a function to be put on hold on a box or plate support.

2. RANGE

		References
Configurable		0 695 37L - 0 696 37L 0 698 37L - 0 698 47L

3. OVERALL DIMENSIONS (mm)



	A	B	C	D
Configurable	70.5	70.5	15.7	-

4. TECHNICAL CHARACTERISTICS

■ 4.1 Protection index

Protection against solid bodies and liquids: IP 55

Protection against impact: IK 07

■ 4.2 Caractéristiques matières

Front plate : PP + SEBS

Shutter : ABS

UV-resistant

Halogen-free

Resistance to salt spray: 7 days (168 h)

Self-extinguishing:

650°C/30 s for other insulating components.

■ 4.3 Climate characteristics

Usage temperature: - 10° à + 40° C

Storage temperature: - 25° C à + 60° C

5. CLEANING

Surface cleaning with a cloth.

Do not use: acetone, tar remover, trichloroethylene.

Maintenance with the following products: Hexane (EN 60669-1), Methylated spirit, Soapy water, Diluted ammonia, Bleach diluted to 10%, Window-cleaning products, Pre-saturated wipes.

Caution: A preliminary test should be carried out if other specific cleaning products are to be used.

6. STANDARDS AND APPROVALS

Compliance with standards of installation and manufacturing.
 Refer to e. catalogue.