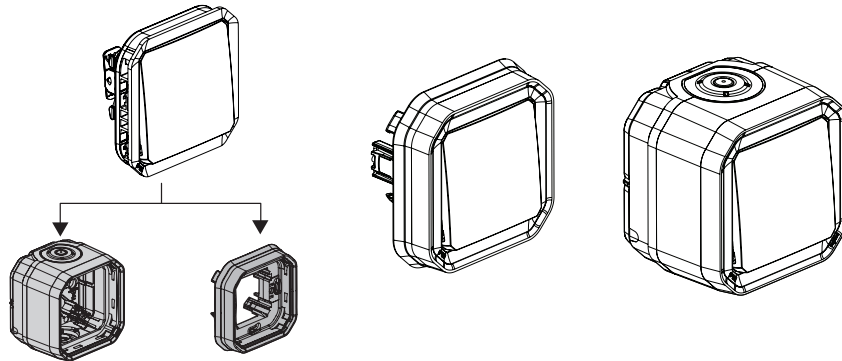


Plexo™ Push-buttons

Cat. No(s): 0 695 33L/36L/40L/41L/42L/44L
0 696 16L/30L/31L/32L/34L
0 697 20L/22L/60L/62L/82L/90L
0 698 10L/13L/14L/16L/20L/23L/24L
0 698 26L/29L/32L/41L/54L/64L



1. USE

Waterproof equipment system intended for residential and professional technical locations (garages, cellars, car parks, workshops and industrial kitchens, etc.) as well as outdoor environments (terraces, gardens, campsites, etc.).

Lighting control mechanisms with or without identification elements (indicators) or signaling elements (markings).

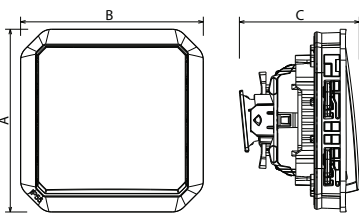
All illuminated and indicator products are delivered with their lamps mounted.

2. RANGE

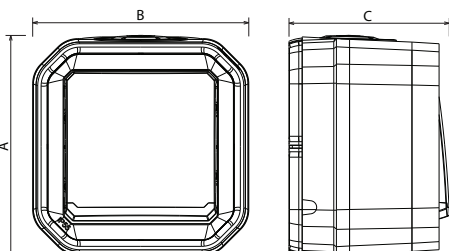
		References
Configurable		0 695 33L/36L/40L/41L/42L/44L 0 696 16L/30L/31L/32L/34L 0 698 10L/13L/14L/16L/26L/41L
Surface-mounting complete		0 697 20L/22L/60L/62L/82L/90L
Flush-mounting complete		0 698 20L/23L/24L/29L/32L/54L/64L

3. OVERALL DIMENSIONS (mm)

■ Configurable

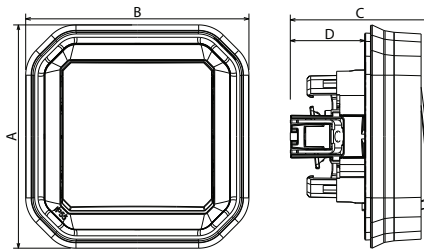


■ Surface-mounting



3. OVERALL DIMENSIONS (mm) (continued)

■ Flush-mounting



	A	B	C	D
Configurable	64	64	40	-
Surface-mounting	84	80	57	-
Flush-mounting	85.1	85.1	53.75	28.4

4. CONNECTION

Type of terminals: automatic

Terminal capacity: 1.5 mm² - 2.5 mm² (1 or 2 conductors)

Stripping length: 12 mm

5. TECHNICAL CHARACTERISTICS

■ 5.1 Protection index

Protection against solid bodies and liquids: IP 55

Protection against impact: IK 08

■ 5.2 Material characteristics

Box, support: PP reinforced

Front plate, rocker: ABS

Entry gland, cover plate: PP + SEBS

Mechanism: PC

UV-resistant

Halogen-free

Resistance to salt spray: 7 days (168 h)

Self-extinguishing:

850°C/30 s for insulating components holding live parts in place.

650°C/30 s for other insulating components.

5. TECHNICAL CHARACTERISTICS *(continued)*

■ 5.3 Electrical characteristics

Voltage: 250 V~

Current: 10 A

Frequency: 50 Hz

■ 5.4 Climate characteristics

Usage temperature: - 10° à + 40° C

Storage temperature: - 25° C à + 60° C

6. CLEANING

Surface cleaning with a cloth.

Do not use: acetone, tar remover, trichloroethylene.

Maintenance with the following products: Hexane (EN 60669-1), Methylated spirit, Soapy water, Diluted ammonia, Bleach diluted to 10%, Window-cleaning products.

Caution: A preliminary test should be carried out if other specific cleaning products are to be used.

7. STANDARDS AND APPROVALS

Compliance with standards of installation and manufacturing.

Refer to e. catalogue.