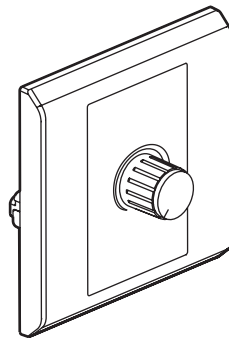


Belanko™ Ventilation control

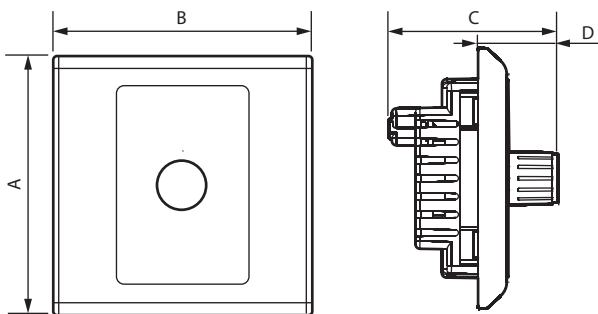
Cat. No(s): 6 170 33



1. USE

Fan control, complete delivered.
 For flush-mounting or surface mounting box.
 Supplied with 2 screws M3.5 for BS boxes.

2. OVERALL DIMENSIONS (mm)



A	B	C	D
86	86	56	26.5

3. CONNECTION

Type of terminals : with screws
 Terminal capacity: 4 x 1 mm² - 4 x 1.5 mm² - 2 x 2.5 mm² - 1 x 4 mm²
 Stripping length: 8 mm
 Screwdriver: 4 mm flat blade
 Compatible with flexible or rigid cables

4. TECHNICAL CHARACTERISTICS

■ 4.1 Mechanical characteristics

Impact tests: IK 04
 Penetration by solid bodies/liquids: IP 40

■ 4.2 Material characteristics

Thermoplastic with glossy finish (White, Ivory)
 Colour: White T084: PC
 Ivory: PC
 Dark Grey: PC painted
 Brown: PC painted

Base: PP
 Halogen free
 UV resistant

Self-extinguishing:

- + 850° C / 30 s for insulating parts holding live parts in place.
- + 650° C / 30 s for other parts made of insulating materials.

■ 4.3 Electrical characteristics

Voltage: 230 V~
 Frequency: 50 Hz

■ 4.4 Climatic characteristics

Storage temperature: - 10° C to + 70° C
 Use temperature: - 5° C to + 35° C

5. CLEANING

Clean the surface with a cloth.
 Do not use acetone, tar-removing cleaning agents or trichloroethylene.

Resistance to the following cleaning substances:

Hexane (EN 60669-1), Methylated spirit, Soapy water, Diluted ammonia, Diluted pure bleach 10%, Glass cleaning product.

Caution: An initial test is required for the use of other special maintenance products.

6. STANDARDS AND APPROVALS

BS EN 60669-1