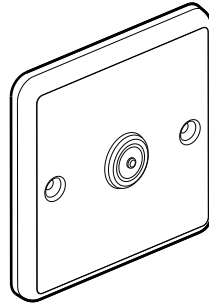


## Synergy™ Cord outlets - Authentic

Cat. No(s): 8 330 52 - 8 332 52 - 8 334 52



### 1. USE

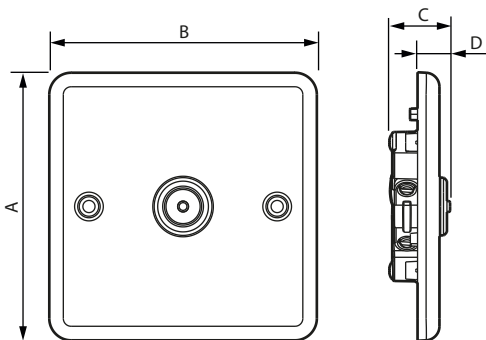
Cord outlets, slim front plates.  
 For flush-mounting.  
 Fixing with screws.

### 2. RANGE

#### Cord outlets 1 gang

|          |                            |
|----------|----------------------------|
| 8 330 52 | ● Brushed stainless steel  |
| 8 332 52 | ● Polished stainless steel |
| 8 334 52 | ● Glossy gold              |

### 3. OVERALL DIMENSIONS (mm)



| Cat. Nos | A  | B  | C    | D    |
|----------|----|----|------|------|
| 8 33x 52 | 86 | 86 | 19.5 | 10.5 |

### 4. TECHNICAL CHARACTERISTICS

#### ■ 4.1 Mechanical characteristics

Impact tests: IK 01  
 Penetration by solid bodies/liquids: IP 20

#### ■ 4.2 Material characteristics

Plate:  
 - BSS: austenitic Brushed Stainless Steel - non magnetic - grade 304 L  
 - PSS: Polished Stainless Steel + rust resistance  
 - GG: Stainless Steel + rust resistance  
 Halogen free  
 UV resistant

#### Self-extinguishing:

- + 850° C / 30 s for insulating parts holding live parts in place.
- + 650° C / 30 s for other parts made of insulating materials.

#### ■ 4.4 Climatic characteristics

Storage temperature: - 10° C to + 70° C  
 Use temperature: - 5° C to + 35° C

### 5. CLEANING

Clean the surface with a cloth.  
 Do not use acetone, tar-removing cleaning agents or trichloroethylene.  
 Resistance to the following cleaning substances:  
 Hexane (EN 60669-1), Methylated spirit, Soapy water, Diluted ammonia, Diluted pure bleach 10%, Glass cleaning product.

**Caution:** An initial test is required for the use of other special maintenance products.

### 6. STANDARDS AND APPROVALS

Compliance with standards of installation and manufacturing.  
 See e.catalogue.