

Plug-in Ceiling Rose


Cat. No(s): 0 601 96



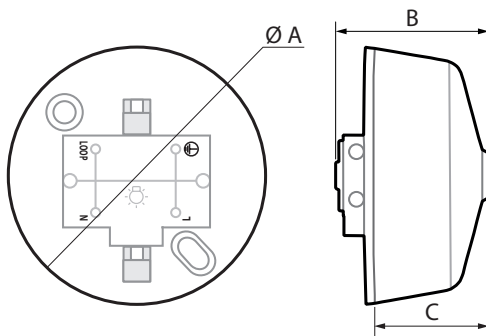
1. USE

Connecting device for light features.
Can be mounted on a BESA box.

2. RANGE

Plug-in Ceiling Rose		Cat. No
 <p>Pack contents: 1- Cover easy opening (1/4 turn) 2- Plug-in system: mechanical and electrical connection in one clic-in action. Load grips support up to 5 kg. 3- Base</p>	0 601 96	

3. DIMENSIONS (mm)



Ø A	B	C
75	39	43

4. CONNECTION

■ 4.1 Base:

Type of terminals: with screws
Stripping length: 7 mm
Phase, neutral, earth and "loop in" terminals will each accept: 4 x 1.5 mm²
Tightening torque: 0.6 N
Rigid or flexible cables admissible
Note: use only 3 pin plugs with these standards BS 6972 and BS 5733

4. CONNECTION (continued)

■ 4.2 Plug-in:

Type of terminals: internals with screws
Stripping length: 7 mm
Terminal capacity: 3 x 1.5 mm²
Tightening torque: 0.4 N

5. TECHNICAL CHARACTERISTICS

■ 5.1 Mechanical characteristics

Protection against mechanical impact: IK 04
Protection against solid bodies and liquids: IP 20

■ 5.2 Material characteristics

- Cover: Urea
- Base: PP
- Terminal cover: PP
- L/N/E terminals: Brass
- Screws: Mild steel, plated

Self extinguishing:

+ 850° C / 30 s pour les pièces isolantes maintenant en place les parties sous tension.
+ 650° C / 30 s pour les autres pièces en matières isolantes.

■ 5.3 Electrical characteristics

Voltage: 250 V~
Current: 6 A

■ 5.4 Climatic characteristics

Storage temperature: - 5° C to + 60° C
Use temperature: - 5° C to + 40° C

6. CLEANING

Surface cleaning with a cloth.
Do not use: acetone, tar remover, trichlorethylene.

Caution: A preliminary test should be carried out if other specific cleaning products are to be used.

7. STANDARDS AND APPROVALS

BS 6972
BS 5733