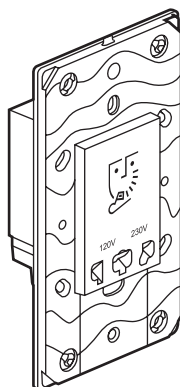


Arteor™ Shaver socket

Cat. No(s): 5 721 53/55 - 5 726 53/55



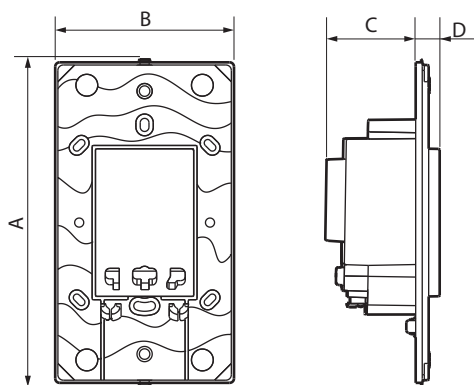
1. USE

Equipped with a circuit separation transformer to isolate the user from the mains supply.
 Socket outlets for different international standards: European, US, British, Australian.
 The mechanism is supplied with rocker plate, to be equipped with support frame and plate.

2. RANGE

Description	White	Magnesium
Shaver socket with earth connector	5 721 53	5 726 53
Shaver socket without earth connector	5 721 55	5 726 55

3. OVERALL DIMENSIONS



A	B	C	D
150	80	44	8.5

4. CONNECTION

Connection method: automatic
 Terminal capacity: 2 x 2.5 mm²
 2 x 1.5 mm²
 Stripping length: 13 mm

5. TECHNICAL CHARACTERISTICS

■ 5.1 Mechanical characteristics

Impact tests: IK 04
 Protection against solid bodies / liquids: IP 24

■ 5.2 Material characteristics

Material:

- Rocker plate: ABS
- Frame: PC

Self-extinguishing:

- + 850° C/30 s for insulating parts holding live parts in place
- + 650° C/30 s for other parts made of insulating materials

■ 5.3 Electrical characteristics

Protection against overload and short circuits by thermal relay limiting the power available at 20 VA.

Transformer: primary and secondary 230 V - 120/230 V

Frequency: 50/60 Hz

■ 5.4 Climatic characteristics

Storage temperature: - 20° C to + 70° C

Use temperature: 0° C to + 45° C

6. CLEANING

Clean the surface with a cloth.

Do not use acetone, tar-removing cleaning agents or trichloroethylene.

Caution: An initial test is required for the use of other special maintenance products.

7. STANDARDS AND APPROVALS

Compliance with standards of installation and manufacturing.

See e.catalogue.