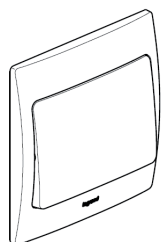


# Mallia™

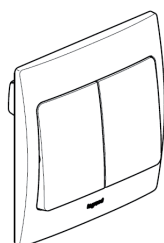
## 20 AX switches SP complete white

Cat. No(s): 2 810 50/51/52/53/54/55/69

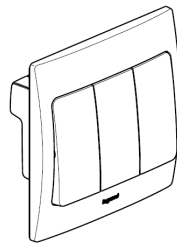
CONTENTS	Pages
1. Use .....	1
2. Range .....	1
3. Preparation .....	2
4. Overall dimensions .....	2
5. Connection .....	2
6. Operation .....	2
7. Technical characteristics .....	3
8. Cleaning .....	3
9. Accessories .....	3



2 810 50/51/69



2 810 52/53





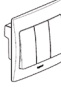
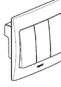



2 810 54/55

### 1. USE

General lighting control mechanisms with or without marking elements (indicator light, label holder).

### 2. RANGE

	Designation	Cat. No.	Connection method	Weight (g)	Characteristics
	1 gang 1 way switch	2 810 50	with screws	61	20 AX - 250 VAC
	1 gang 2 way switch	2 810 51	with screws	65	20 AX - 250 VAC
	2 gang 1 way switch	2 810 52	with screws	80	20 AX - 250 VAC
	2 gang 2 way switch	2 810 53	with screws	90	20 AX - 250 VAC
	3 gang 1 way switch	2 810 54	with screws	99	20 AX - 250 VAC
	3 gang 2 way switch	2 810 55	with screws	115	20 AX - 250 VAC
	1 gang switch intermediate	2 810 69	with screws	112	20 AX - 250 VAC

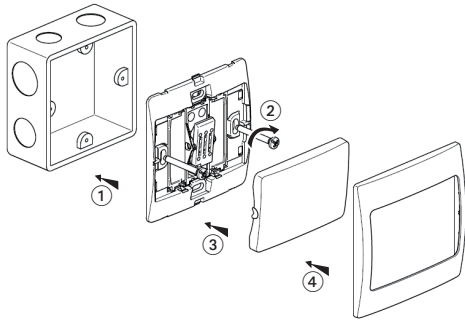
# Mallia™

## 20 AX switches SP complete white

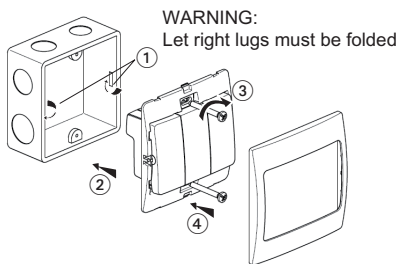
Cat. No(s): 2 810 50/51/52/53/54/55/69

### 3. PREPARATION

#### 3.1 General preparation (1G, 2G switches):



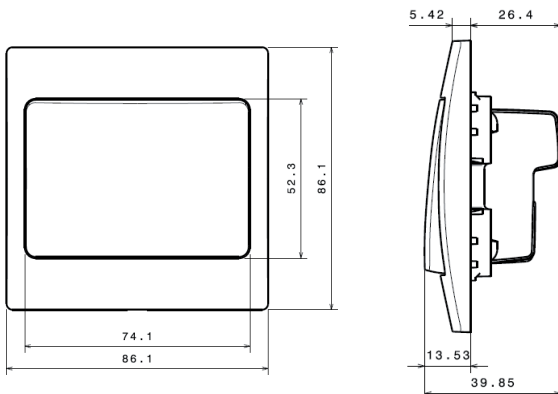
#### 3.2 Preparation with 3G switches:



Plastic 4 lugs box



### 4. OVERALL DIMENSIONS



Profile size: 86 x 86 mm  
Distance of installation hole: 60.3 mm

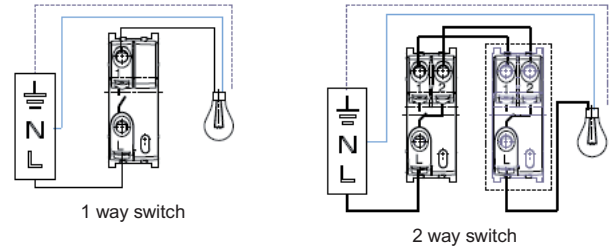
### 5. CONNECTION

#### 5.1 Terminals

Terminal capacity: 3 x 2.5 mm<sup>2</sup>  
2 x 4.0 mm<sup>2</sup>  
1 x 6.0 mm<sup>2</sup>

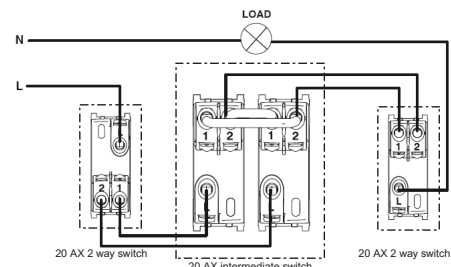
Recommended screwdriver size: 4 mm flat blade  
Recommended terminal tightening torque: 0.5 Nm  
Stripping: 12 mm

#### 5.2 Circuit diagrams



1 way switch

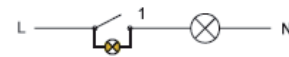
2 way switch



Intermediated switch

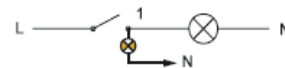
Wiring of LED\*:

#### 1. 1 way locator (green LED)

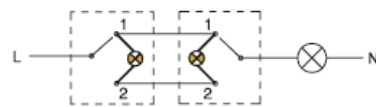


Warning! Don't use red LED with this connecting mode.

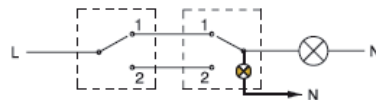
#### 2. 1 way indicator (red LED)



#### 3. 2 way locator (green LED)



#### 4. 2 way indicator (red LED)



\*Change rockers to rockers with lens from 10 A switches.

### 6. OPERATION

Switch mechanism (handling force 2 to 3 N).

## 20 AX switches SP complete white

### 7. TECHNICAL CHARACTERISTICS

#### 7.1 Mechanical characteristics

Impact tests: IK04

Protection against liquids: IP41

#### 7.2 Material characteristics

Rocker: Polycarbonate

Frame: Polycarbonate

Support: Polycarbonate

Base: Polypropylene

#### 7.3 Electrical characteristics

Self-extinguishing: 650°C / 30 s

Voltage: 250 V

Current: 20 AX

#### 7.4 Climatic characteristics

Storage temperatures: - 10°C to + 70°C

Operating temperatures: - 5°C to + 50°C

### 8. CLEANING

Surface cleaning with a soft, slightly damp cloth.

Do not use: acetone, tar remover, trichloroethylene.

Résistance to the following cleaning agents:

Hexane (EN 60669-1), Methylated spirits, Soapy water, Diluted ammonia, Diluted pure bleach 10 %, Glass cleaning substance, Pre-impregnated wipes.

**Caution:** A preliminary test should be carried out if other specific cleaning products are to be used.

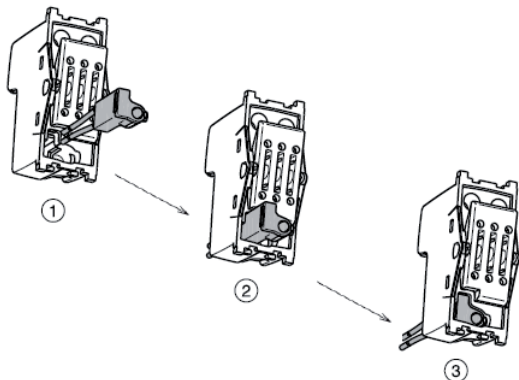
### 9. ACCESSORIES

#### 9.1 Lamps for locator or indicator light\*

**2 819 97:** LED 220 V~, green - low consumption / 0.05 mA

**2 819 98:** LED 220 V~, red - high luminosity / 1mA

#### Installation of LED:



#### 9.2 Transparent rocker with label holders

**2 818 95:** 1 gang



**2 818 96:** 2 gang



**2 818 97:** 3 gang

