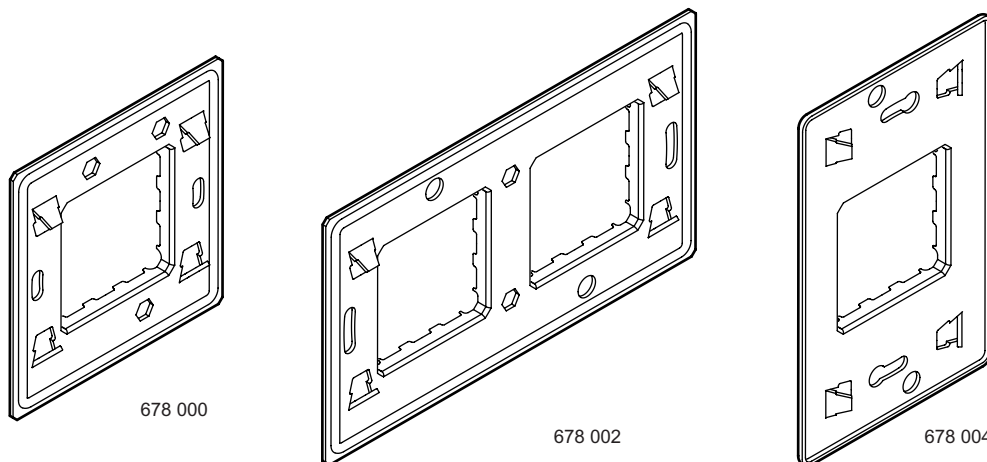


Mosaic™ Support frames

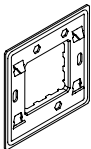
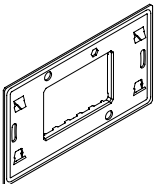
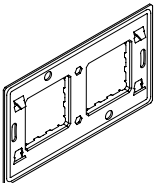
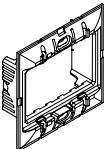
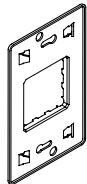
Cat. No(s).: 678 000/001/002/003/004/005/006



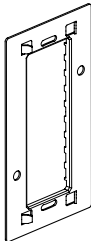
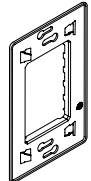
1. USE

Support frames for fixing Mosaic mechanisms.

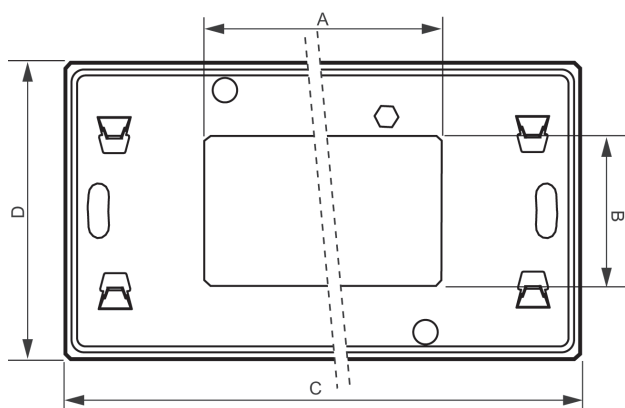
2. RANGE

	Designation	Finishes	No. of modules	Connection method	Weight (g)
	2 modules frame British standard 1 gang	678 000	2	with screws	45.5
	3 modules frame British standard 2 gang	678 001	3	with screws	83
	2 x 2 modules frame British standard 2 gang	678 002	2 x 2	with screws	78.5
	3 modules frame British standard 1 gang	678 003	3	with screws	15
	1 and 2 modules frame US standard 2" x 4"	678 004	1 - 2	with screws (not supplied)	62

2. RANGE (continued)

	Designation	Finishes	No. of modules	Connection method	Weight (g)
	5 modules frame British standard	678 005	5	with screws	77
	3 modules frame US standard 2" x 4"	678 006	3	with screws (not supplied)	55

3. OVERALL DIMENSIONS



	A	B	C	D
678 000	45	45	78.3	79.5
678 001	68		138.3	
678 002	2 x 45	2 x 45		
678 003	68	45	79.5	71
678 004	45		112.5	
678 005		79.5		148
678 006		68		71

4. MOUNTING

Screw the frame on the flush-mounted box, then clip the mechanism on the frame, and clip the plate on the frame.

5. TECHNICAL CHARACTERISTICS

5.1 Mechanical characteristics

Impact tests: IK 04

5.2 Material characteristics

Frame: Steel
 except 678 003: Polycarbonate

5.3 Climatic characteristics

Storage temperatures: - 10° C to + 70° C
 Operating temperatures: - 5° C to + 50° C