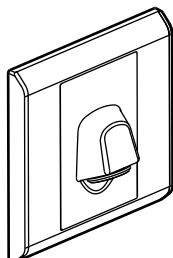
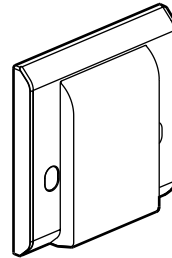


Belanko™ Cable outlets

Cat. No(s): 6 170 85/86 - 6 172 85/86 - 6 173 85/86 - 6 174 85/86



6 170 85



6 170 86

1. USE

Devices to enable the connection of free-standing electrical appliances from the fixed wiring of the main installation.

Complete delivered.

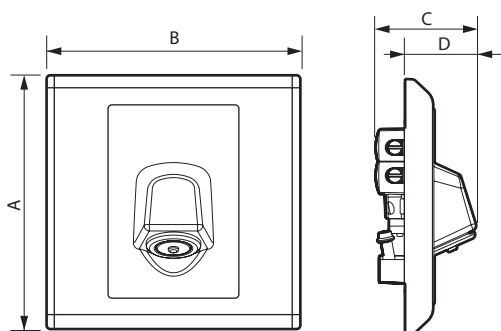
Supplied with 2 x M3.5 fixing screws.

For flush-mounting or surface-mounting boxes.

2. RANGE

Description	White	Ivory	Dark Grey	Brown
20 A cable outlet	6 170 85	6 172 85	6 173 85	6 174 85
45 A cable outlet	6 170 86	6 172 86	6 173 86	6 174 86

3. DIMENSIONS



	A	B	C	D
6 17x 85	86	86	34	24
6 17x 86	86	86	44	17.5

Distance of installation hole: 60.3 mm

4. CONNECTION

Type of terminals: with screws

	20 A	45 A
Terminal capacity	4 x 2.5 mm ² 2 x 4 mm ² 1 x 6 mm ²	7 x 2,5 mm ² 4 x 4 mm ² 2 x 6 mm ² 1 x 10 mm ²
Cable clamp capacity		
minimum Ø	4.8 mm	13.28 x 5.02 mm
maximum Ø	10 mm	21 x 11 mm
Screwdriver size	5 mm flat blade	6 mm flat blade
Tightening torque	0.8 Nm	1.32 Nm

5. TECHNICAL CHARACTERISTICS

■ 5.1 Mechanical characteristics

Impact tests: IK 04

Protection against solid bodies and liquids: IP 40

■ 5.2 Material characteristics

Thermoplastic with glossy finish (White, Ivory)

Colour: White T084: PC

Ivory: PC

Dark Grey: PC painted

Brown: PC painted

Halogen free

UV resistant

Removable outlet plug: soft PVC

Self-extinguishing: 650° C / 30 s

■ 5.3 Electrical characteristics

Current: 20 A for 6 17x 85

45 A for 6 17x 86

■ 5.4 Climatic characteristics

Storage temperature: - 10° C to + 70° C

Operating temperature: - 5° C to + 35° C

6. MAINTENANCE

Surface cleaning with a cloth.

Do not use: acetone, tar remover, trichloroethylene.

Maintenance with the following products: Hexane (EN 60669-1), Methylated spirit, Soapy water, Diluted ammonia, Bleach diluted to 10%, Window-cleaning products.

Caution: A preliminary test should be carried out if other specific cleaning products are to be used.

7. STANDARDS AND APPROVALS

Conform to BS 5733