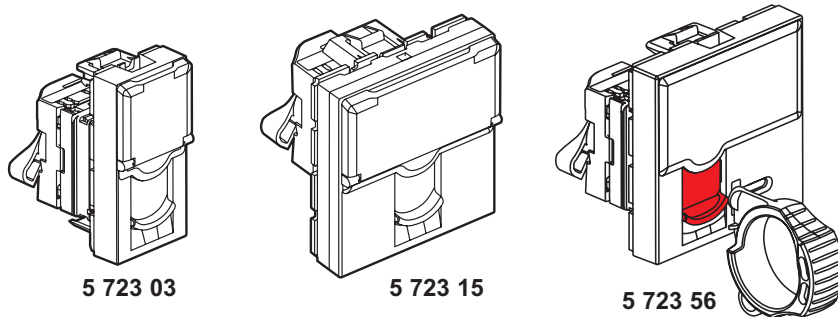


Arteor™ LCS² Cat. 5e RJ 45 socket

Cat. no(s) : 5 723 03/04/15/56
5 728 03/04/15/56
5 734 29/30/75
5 736 29/30/75



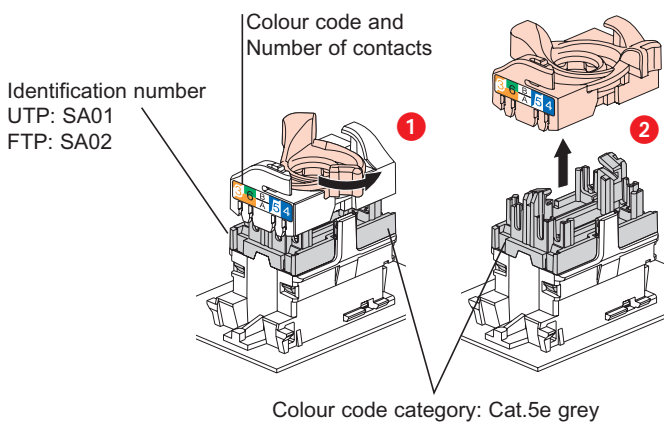
CONTENTS	Page
1. General characteristics	1
2. Presentation	1
3. Real life scenarios	1
4. Technical characteristics	1
5. Installation	2
6. Overall dimensions	2
7. Standard RJ 45 connection	2
8. Performance	3
9. Standards and approvals	4

1. GENERAL CHARACTERISTICS

Category 5e RJ 45 socket
Allows high-speed transmissions (Gigabit Ethernet).

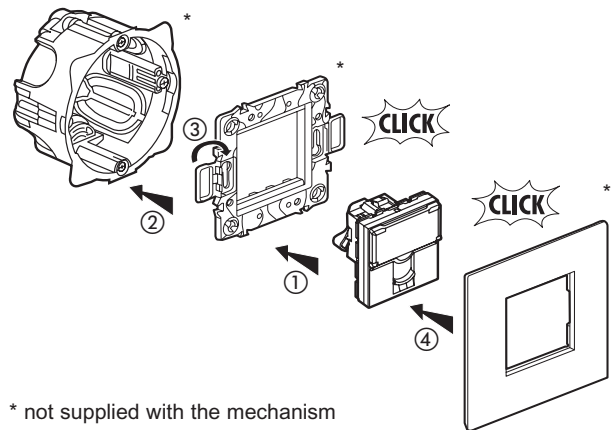
Designation	Number of modules	UTP	FTP
	RJ 45 socket Cat. 5e UTP white	1	5 723 03 5 734 29
	RJ 45 socket Cat. 5e UTP magnesium	1	5 728 03 5 736 29
	RJ 45 socket Cat. 5e FTP white	1	5 723 04 5 734 30
	RJ 45 socket Cat. 5e FTP magnesium	1	5 728 04 5 736 30
	RJ 45 socket Cat. 5e UTP white	2	5 723 15 5 734 75
	RJ 45 socket Cat. 5e UTP magnesium	2	5 728 15 5 736 75
	RJ 45 safety socket Cat. 5e UTP white	2	5 723 56
	RJ 45 safety socket Cat. 5e UTP magnesium	2	5 728 56

2. PRESENTATION

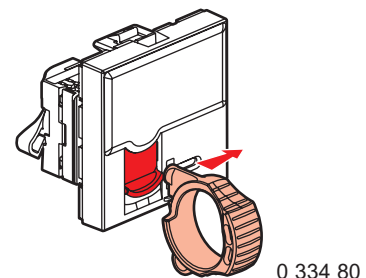


3. REAL LIFE SCENARIOS

Mechanisms can be flush-mounted or surface-mounted.



Unlocking



4. TECHNICAL CHARACTERISTICS

4.1 Characteristics of the materials

Contacts : gold/nickel, thickness of gold >0.8 μm minimum
Metal parts: bronze, nickel, platinum, gold
Polycarbonate PBT

4.2 Electrical characteristics

Breakdown voltage ≥ 1000 V
Contact resistance ≤ 20 mΩ
Insulation resistance ≥ 500 MΩ under 100 V DC
Performance of resistance to a POE signal up to 50 W

4.3 Mechanical characteristics

Max. number of connections/ disconnections: 5 without re-preparing the wire
Endurance: 2500 operations (mating/extraction)
IK03

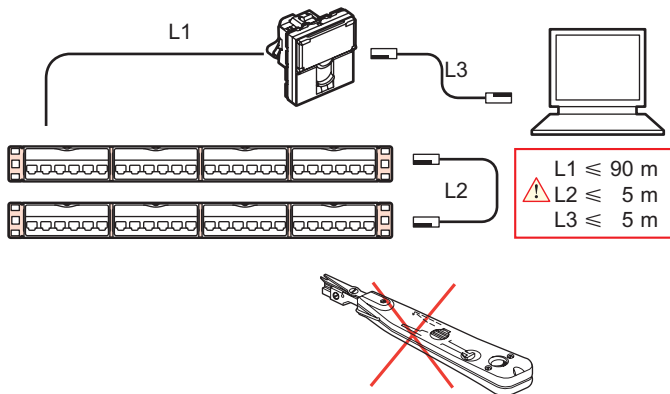
4.4 Climatic characteristics

Operating temperatures: -40°C to +70°C
Humid heat 21-day cycle

Arteor™ LCS² Cat. 5e RJ 45 socket

Cat. no(s) : 5 723 03/04/15/56
5 728 03/04/15/56
5 734 29/30/75
5 736 29/30/75

5. INSTALLATION

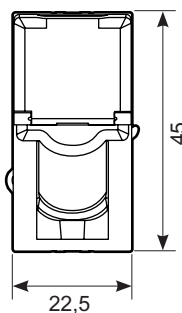
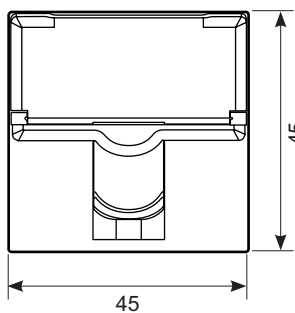


6. OVERALL DIMENSIONS

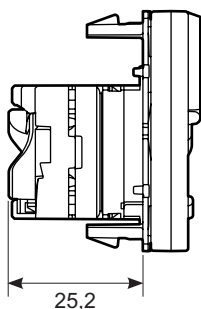
Front view:

5 723 15-5 723 56-5 728 56
5 728 15-5 734 75-5 736 75

5 723 03-5 728 03-5 734 29
5 736 29-5 723 04-5 728 04
5 734 30-5 736 30



Side view:



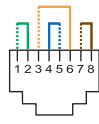
7. STANDARD RJ 45 CONNECTION

Takes the following plugs:

RJ 11 (4 contacts), RJ 12 (6 contacts), RJ 45 (9 contacts).

EIA/TIA 568 A and B dual colour code on terminals:

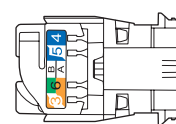
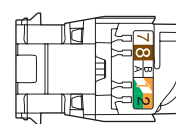
- UTP 8 contacts
- FTP 9 contacts



EIA 568 A



EIA 568 B

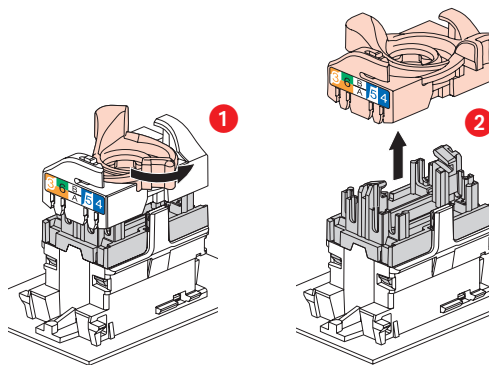


Permitted conductors:

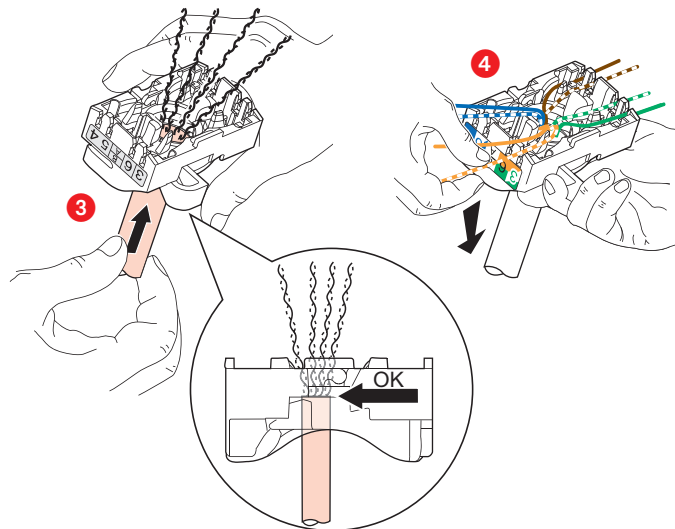
- Single-core: 0.5 to 0.65 mm, AWG 22 to 25
- Multicore: AWG 26
- Polyethylene conductor insulation: Ø max. on 1.58 mm insulation

Number of wires to be connected per connection: 1

RJ 45 connectors are equipped with a locking nut. They do not require a special tool and can be re-wired if a mistake is made.

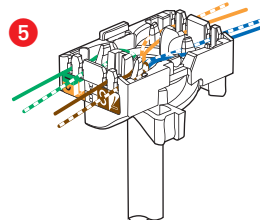


This system allows you to spread pairs with ease before fitting them onto the connector.



Spreading the cables allows you to ensure that a pair-breakage distance of 13 mm is kept between each pair.

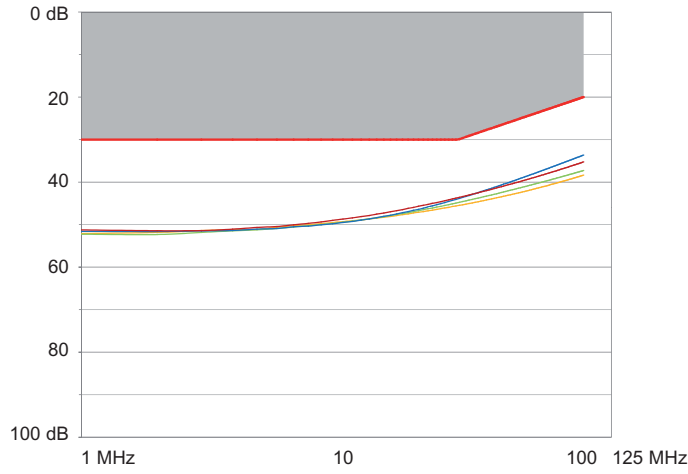
Spreading pairs at 90° to the cable ensures the best possible performance.



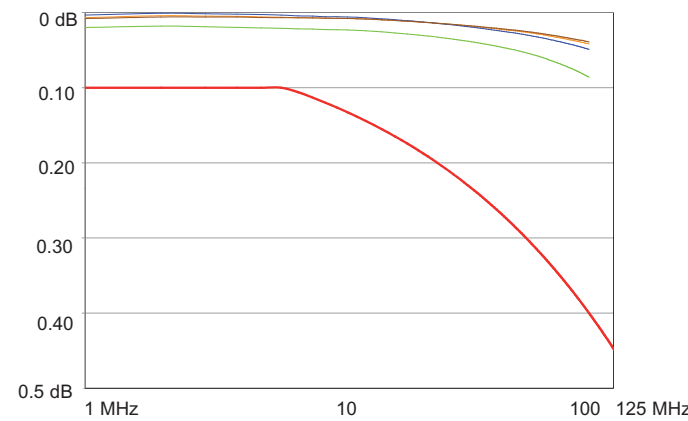
8. PERFORMANCE

8.1 Performance of components (RJ 45 connectors)

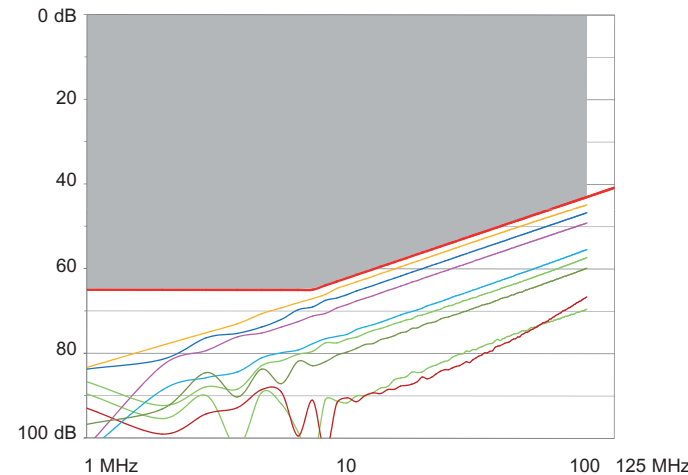
Return loss



Attenuation



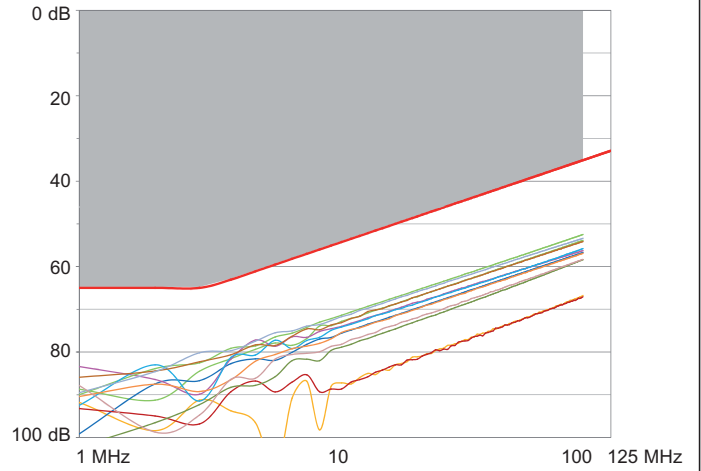
NEXT (Near end Crosstalk Attenuation)



8. PERFORMANCE (continued)

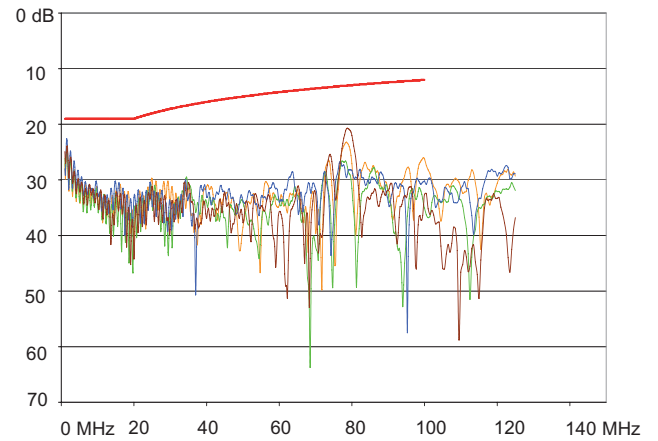
8.1 Performance of components (RJ 45 connectors) (continued)

FEXT (Far end Crosstalk Attenuation)

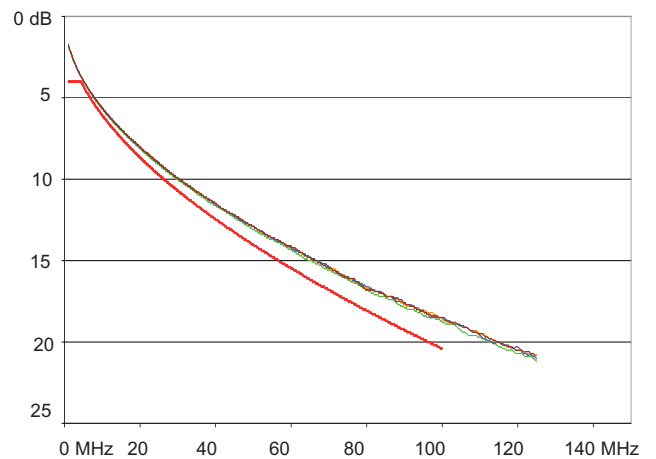


8.2 Performance of permanent link with F/UTP cable

Return loss

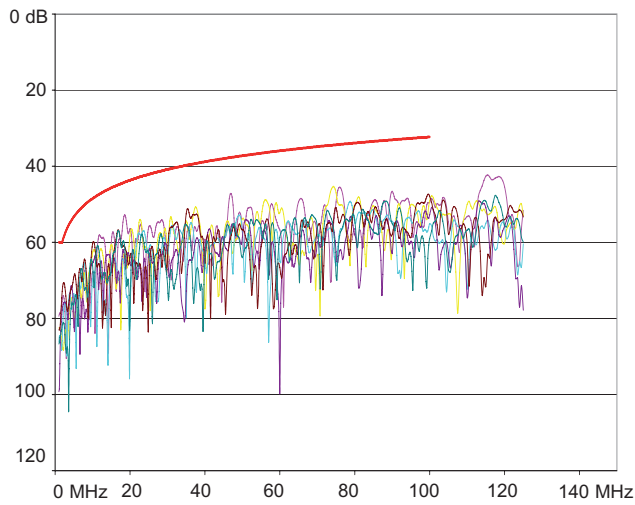


Attenuation

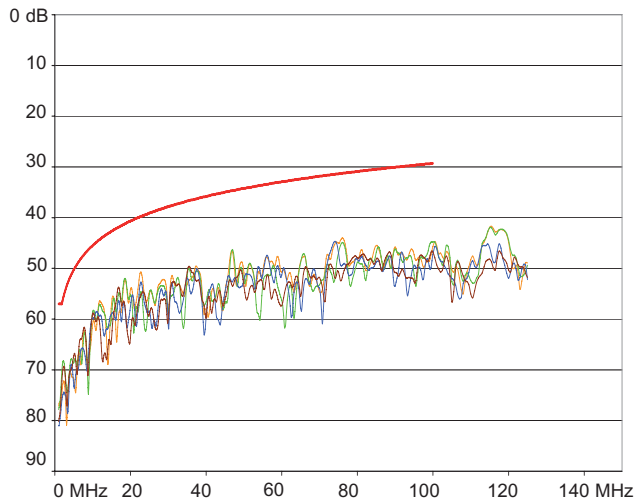


8. PERFORMANCE (continued)

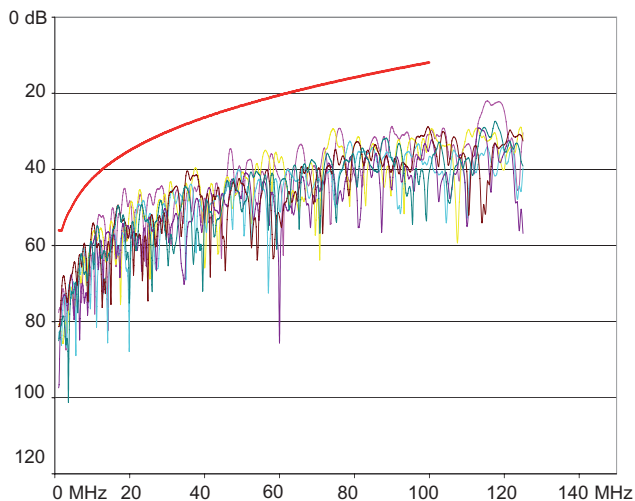
8.2 Performance of permanent link with F/UTP cable (continued)
 NEXT (Near end Crosstalk Attenuation)



PS NEXT (Power Sum NEXT)

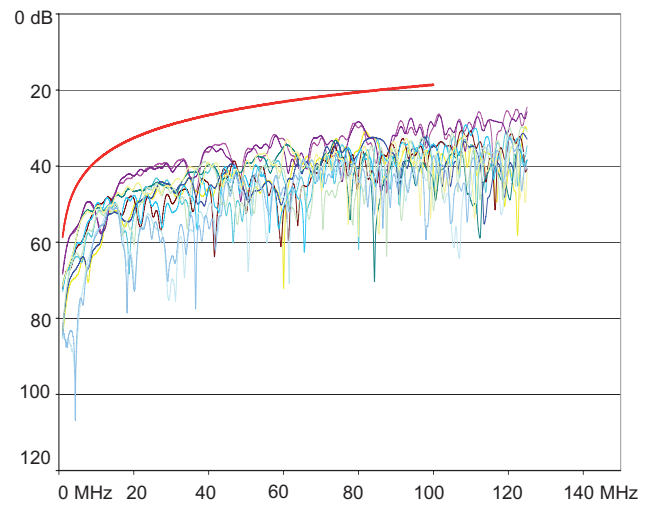


ACR-N (Attenuation to Crosstalk Ratio)



8. PERFORMANCE (continued)

8.2 Performance of permanent link with F/UTP cable (continued)
 ACR-F (Equal Level Far End Crosstalk Attenuation)



9. STANDARDS AND APPROVALS

Conforms to standards: ISO/IEC 11801 Ed2 and Amd.
 CENELEC EN 50173-1 2007
 ANSI/EIA/TIA 568-C.2
 IEC 60603-7 series