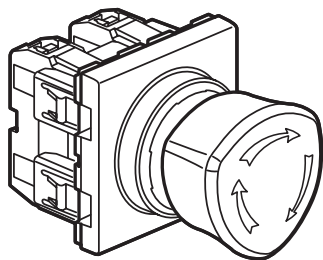
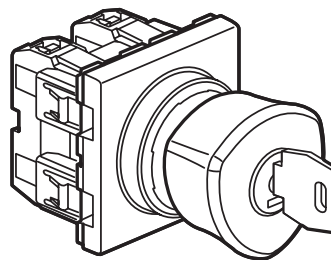


**Arteor™**  
**Mushroom head pushbutton**

Cat. No(s): 5723 62/63



5723 62



5723 63

**1. GENERAL CHARACTERISTICS**

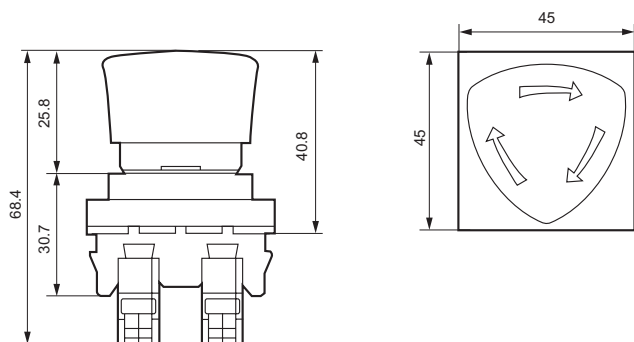
Control mechanism for opening and closing circuits that may or may not require the use of a key.

**2. RANGE**

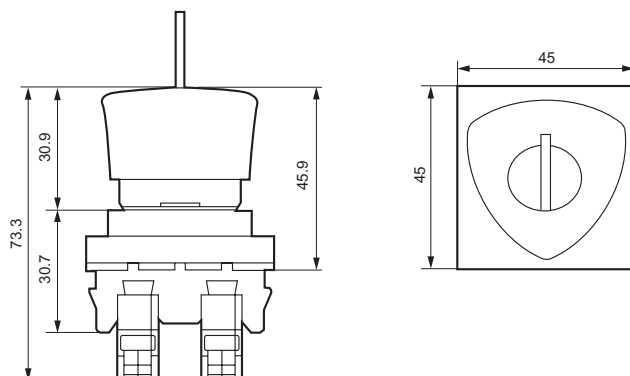
	Designation	Cat. No.	No. of modules	Connection method	Weight (g)	Characteristics
	1/4-turn mushroom head pushbutton	5723 62	2	With screws	57.1	10 A 250 VAC
	Key-operated mushroom head pushbutton	5723 63	2	With screws	73.6	10 A 250 VAC

**3. OVERALL DIMENSIONS**

5723 62:

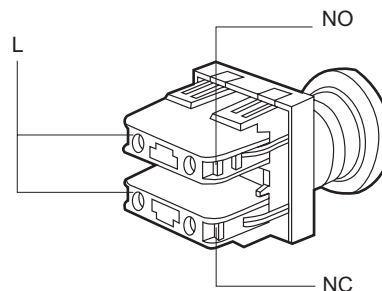


5723 63:



**4. CONNECTION**

Terminal type: Screw terminals  
Terminal capacity: 2 x 2.5 mm<sup>2</sup>  
Type of screwdriver: Philips No. 2 or flat-blade 4.5 mm



**5. OPERATION**

Cat. No. 5723 62: conventional mushroom head pushbutton, engagement and locking by pressing on the handle, unlocking by 1/4 turn.

Cat. No. 5723 63: conventional mushroom head pushbutton, engagement and locking by pressing on the handle, unlocking by key (RONIS 601).

2 contacts: 1 NO + 1 NC

**6. TECHNICAL CHARACTERISTICS**

**6.1 Mechanical characteristics**

Impact tests: IK04  
Penetration by solid bodies/liquids: IP41 (NF EN 60529)

**6.2 Material characteristics**

Base: Polycarbonate

**6.3 Electrical characteristics**

Self-extinguishing: 650° C / 30 s  
Voltage: 250 VAC  
Current: 10 A

**6.4 Climatic characteristics**

Storage temperatures: - 10°C to + 70°C  
Operating temperatures: - 5°C to + 50°C