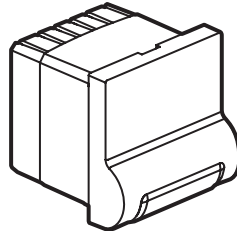


Arteor™ Skirting light

Cat. No(s): 5722 21 - 5740 82



1. USE

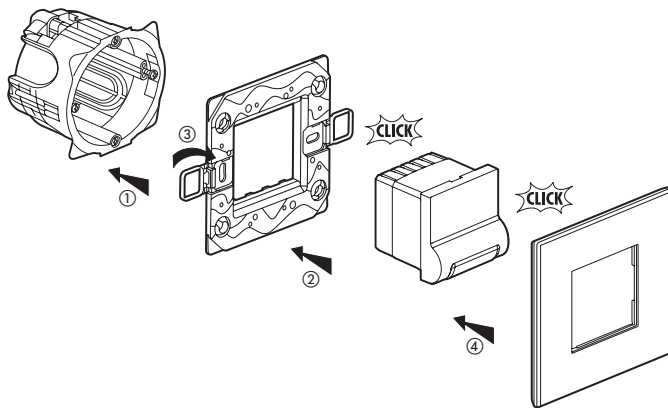
Bulkhead light for skirting by LED.

2. RANGE

	Designation	Finishes		Number of modules	Fixing method	Connecting method	Weight (g)
		White	Magnesium				
	Skirting light with LED	5722 21	5740 82	2	With clips	With screws	34

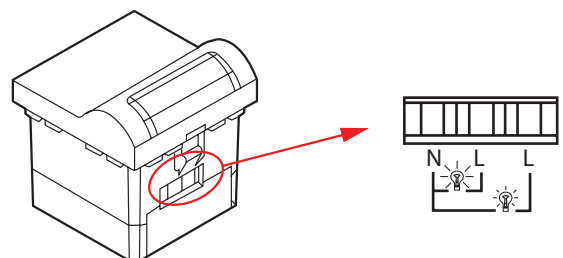
3. PREPARATION

The mechanisms can be flush-mounted or surface-mounted.

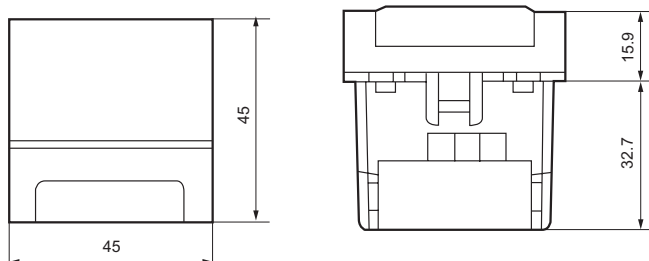


5. CONNECTION

Type of screwdriver: flat-blade 3.5 mm
Terminal capacities: 2,5 mm² or 2 x 1.5 mm²
Stripping length: 8 mm



4. OVERALL DIMENSIONS



Skirting light

6. TECHNICAL CHARACTERISTICS

6.1 Mechanical characteristics

Impact tests: IK 04

Protection by solid bodies / liquids: IP 41

6.2 Material characteristics

Base: Polycarbonate



Cover plate: ABS (RAL 9003)

6.3 Electrical characteristics

Voltage: 250 VAC

Frequency: 50/60 Hz

Self-extinguishing: 650°C / 30 s

Power	 1 W	 0.2 W
-------	--	--

6.4 Lighting levels

Measures taken at 30 cm from ground and 10 cm from wall:

- In high brightness position: 1700 cd / m²

- In low brightness position: 350 cd / m²

6.5 Climatic characteristics

Storage temperatures: - 10°C to + 70°C

Operating temperatures: - 5°C to + 50°C

7. CLEANING

Surface cleaning with a cloth

Do not use: acetone, tar remover, trichloroethylene

7.1 Resistance to cleaning agents

Resistance to the following agents: Hexane (EN-60669-1),

Methylated spirits, Soapy water, diluted ammonia, diluted pure bleach

10%, Glass cleaning substance, Pre-impregnated wipes.

7.2 Resistance to hospital-type cleaning agents

Resistance to the following agents: Anios, Surfanios, Bactilisyne, Diluted hydrogen peroxide (35%).

Caution: A preliminary test should be carried out if other specific cleaning products are to be used.