

DLP-S Cable Guide

Number(s) : 6 382 00 – 6 382 02/03 – 6 382 06/07/08/09/10 –
6 382 12/13 – 6 382 16/17/18 – 6 382 20/22/23



CONTENTS	PAGES
1. Cable guide range.....	1
2. Accessorie range.....	2
3. Technical characteristics....	3 to 4
3. Material characteristics.....	4

1. CABLE GUIDE RANGE

Cable guide conform to EN 50085-2-1 and RoHS directive

Pre-drilled base every 25 cm

2 versions :

- without adhesive
- with self adhesive

Supplied with cover

Length of 2m

White color

1.1 Pre-drilled version without adhesive

Cable Guide	Dimensions	References	Pack
	12x12	6 382 00	208 m
	16x16	6 382 02	120 m
	25x16	6 382 03	112 m
	25x25	6 382 06	72 m
	40x25	6 382 07	60 m
	40x40	6 382 08	36 m
	60x40	6 382 09	24 m

1. CABLE GUIDE RANGE (CONT.)

1.2 Pre-drilled version with self-adhesive

Cable Guide	Dimensions	References	Pack
	12x12	6 382 10	192 m
	16x16	6 382 12	108 m
	25x16	6 382 13	104 m
	25x25	6 382 16	64 m
	40x25	6 382 17	54 m
	40x40	6 382 18	36 m

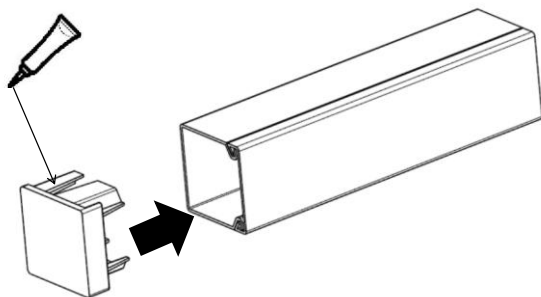
2. ACCESSORIE RANGE

2.1 End cap ref. 6 382 20/22/23



Allows to block the end of the cable guide :
 - respect of the protection degree
 - improvement of aesthetics (covering of the cut)
 - left or right end cap

Add glue reference number 0 309 49 inside the end cap and fix it on the cable guide.



White color

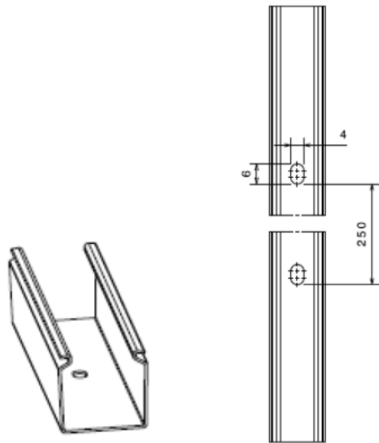
2. ACCESSORIE RANGE

	Ref.	Cuttable	Use with cable guide	Pack
	6 382 20		6 382 00/10 6 382 02/12	20
	6 382 22		6 382 03/13 6 382 06/16	20
	6 382 23		6 382 07/17 6 382 08/18 6 382 09	10

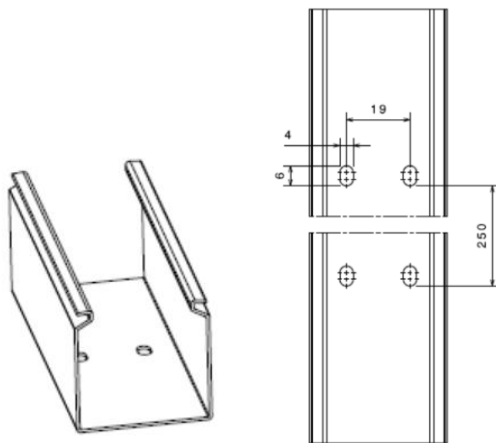
3. TECHNICAL CHARACTERISTICS

3.1 Pre-drilled version without adhesive

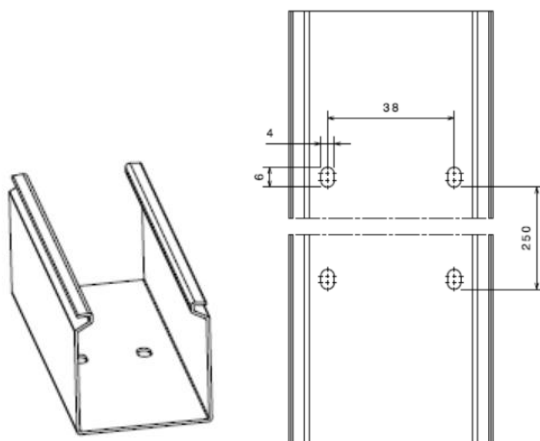
For 12x12,16x16, 25x16 and 25x25 dimensions



For 40x25 and 40x40 dimensions



For 60x40 dimensions



For all dimensions :

. Holes sizes = 6 mm x 4 mm

3. TECHNICAL CHARACTERISTICS (CONT.)

3.2 Pre-drilled version with self-adhesive

For 12x12,16x16, 25x16 and 25x25 dimensions



For 40x25 and 40x40 dimensions



Characteristics of adhesive tape :

Material : Double Sided PE White Acrylic Foam Tape

Tape thickness : 1,0 mm

Dimensions	Adhesive tape width	Adhesive tape number
12x12	9 mm	1
16x16	13 mm	1
25x16	18 mm	1
25x25	18 mm	1
40x25	9 mm	2
40x40	9 mm	2

Application

Surface must be clean and free from dust and grease.
Avoid touching the tapes exposed adhesive surface in order to keep full adhesive performance.
Pressure sensitive adhesive must be applied with a maximum of pressure in order to achieve maximum pressure level.
The indicated level of performance will be reached after a bonding period of 24 Hrs. at 23 °C.

3. TECHNICAL CHARACTERISTICS (CONT.)

Dimensions	Compartment Nr	Maxi section in mm ²	Maxi diameter	Number of cables		
				3G1,5 mm ²	3G2,5 mm ²	UTP & FTP CAT.6
12x12	1	100	9,3			1
16x16	1	200	13,6	1	1	3
25x16	1	322	14,4	2	2	6
25x25	1	526	23,4	4	3	10
40x25	1	843	23,2	7	5	16
40x40	1	1416	38	12	9	28
60x40	1	2148	38	19	14	42

Classification of EN 50085-2-1

6.2 Resistance to impact for installation and application	0,5J
6.3 Minimum storage and transport temperature	- 5°C
6.3 Minimum installation and application temperature	+ 15°C
6.3 Maximum application temperature	+ 60°C
6.4 Resistance to flame propagation	Non-flame propagating
6.5 Electrical continuity characteristic	Without electrical continuity characteristic
6.6 Electrical insulating characteristic	With electrical insulating characteristic
6.7 Degrees of protection provided by enclosure	IP20
6.9 The system access cover retention	Without a tool
6.101 The position when surface mounted	Wall fixed
6.102 The functions provided	Type 1
Rated current	500 V
Protection against mechanical shocks	IK 04

Compositions EN 50085-2-1 :

Dimensions	References	
	Cable Guide	End cap
12 x 12	6 382 00/10	6 382 20
16 x 16	6 382 02/12	
25 x 16	6 382 03/13	6 382 22
25 x 25	6 382 06/16	
40 x 25	6 382 07/17	6 382 23
40 x 40	6 382 08/18	
60 x 40	6 382 09	

4. MATERIAL CHARACTERISTICS

PVC white : conform to ROHS directive (Lead-Free product)