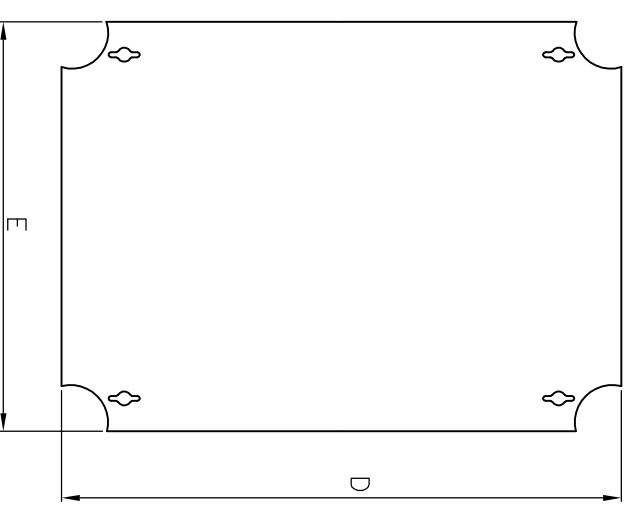
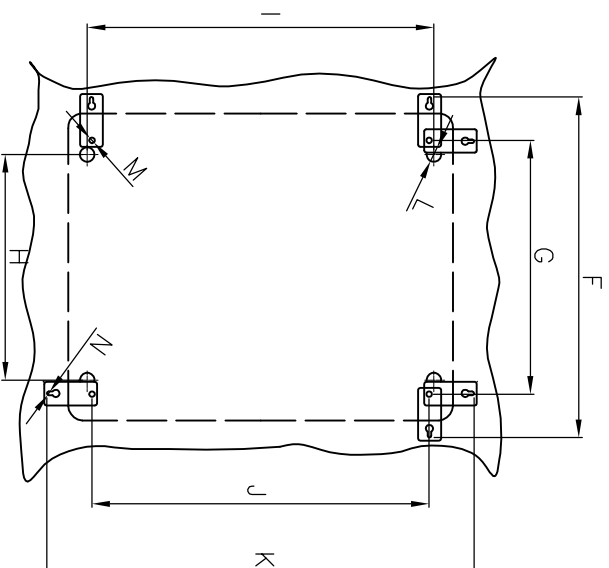
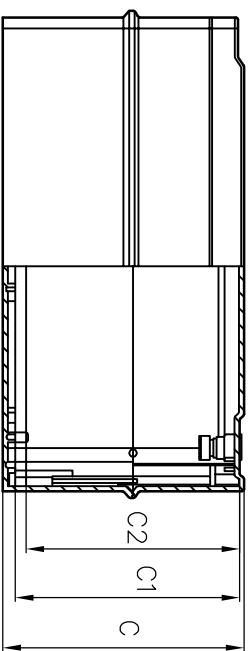
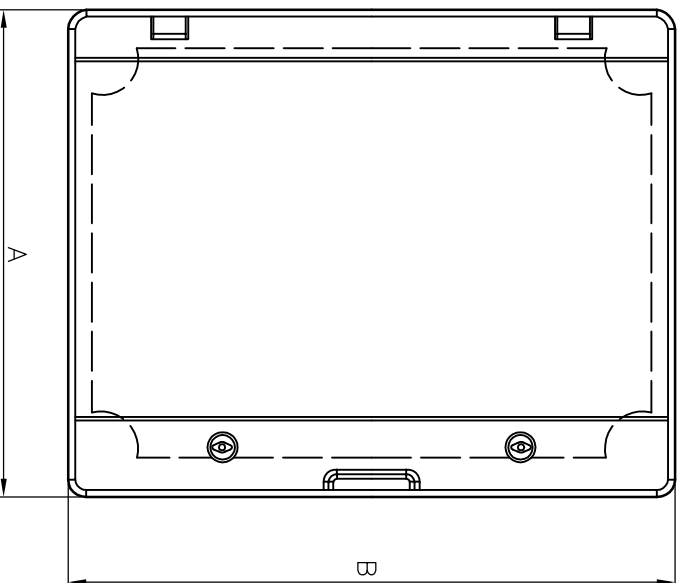


## CATALOGUE CARD

### Hermetic distribution cabinet with metal mounting plate version with transparent door

No.	Colour	Door	Number of locks	Protection class	Working temperature	IP	IK	Dimensions [mm] A/B/C/C1/C2/D/E/F/G/H/I/K/L/M/N	Quantity in package	Material
C.1600-P	gray	transparent	1	II	-25°C-+60°C	65	10	221/311/137/124.5/123.5/270/174.5/253.5/146/118/261/248.5/355.5/15/M5/2.5	1	ABS/PC
C.1601-P	gray	transparent	1	II	-25°C-+60°C	65	10	265/355/152/138.5/130/315/227/305/198/198/318/291/398/15/M5/2.5	1	ABS/PC
C.1602-P	gray	transparent	2	II	-25°C-+60°C	65	10	310/410/170/157/150.5/360/245/343/236/200/360/347/456/15/M5/2.5	1	ABS/PC
C.1603-P	gray	transparent	2	II	-25°C-+60°C	65	10	410/610/202/189/179/564/375/442/336/300/560/550/657/15/M5/2.5	1	ABS/PC
C.1604-P	gray	transparent	2	II	-25°C-+60°C	65	10	511/711/253.5/239.5/230.5/660/472/547/440/410/660/650/757/15/M5/2.5	1	ABS/PC



Galvanized metal  
mounting plate