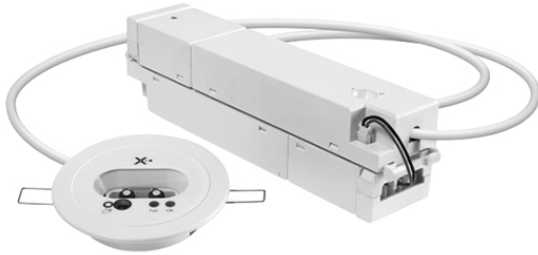
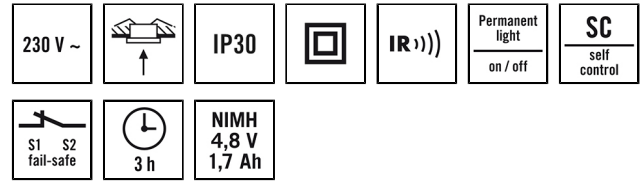


SLG EL LED 3h IR RM

Item number EN10061301
GTIN 4015120061301



Product description

- Single battery emergency light with 3 hour emergency light duration for recessed ceiling mounting with self-control feature (SC) and fail-safe contact (opens if power fails)
- Additional remote control connection (F+, F-) for disabling emergency lighting when building is not in use
- Function test and self-control feature can be enabled using conventional test key or conveniently using the Mobil-SLi remote control
- Optionally, operation in continuous or stand-by mode possible

Technical data

GENERAL	
Device category	Safety light
User interface	IR remote control
Remote controllable	✓
Conformity	CE, RoHS, WEEE
Warranty	5 years
ATTACHMENT	
Installation type	Recessed mounting
Installation position	Ceiling
Installation dimension	Installation length: 66 mm x Installation width: 66 mm x Installation depth: 35 mm, Ø 66 mm
Type of connection	Push terminal
Connectable wire cross section	1,50 - 2,50 mm ²
HOUSING	
Dimensions	Height/Depth 37 mm, Ø 90 mm
Weight	323 g
Material	ABS
Protection type	IP30

Permissible ambient temperature	5 °C...+35 °C
Relative humidity	5 - 95 %, non-condensing
Colour	white, similar to RAL 9010

ELECTRICAL VERSION	
Protection class	II
Nominal voltage	230 V / 50 Hz

LIGHT	
Light emission	direct
Rated output	4 W
Luminous Flux (light)	100 lm
Luminous efficacy	25 lm/W
Colour temperature	4000 K
Energy efficiency class	A++ to A

EMERGENCY LIGHTING	
Light duration	3 h
Power supply system	Decentralised (single-battery)
Battery status indicator	by LED
Automatic testing	-

DATA SHEET

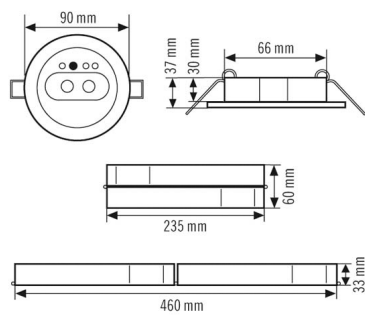
SLG EL LED 3h IR RM

Item number	GTIN
EN10061301	4015120061301

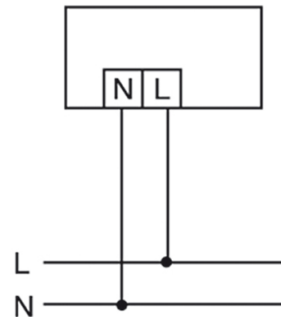
Accessories

Product designation	Item number	GTIN
SLG BRACKET SET	EN10061318	4015120061318
SL REMOTE CONTROL	EN10017704	4015120017704
ESY-Pen	EP10425356	4015120425356

Scale drawing



Circuit diagram

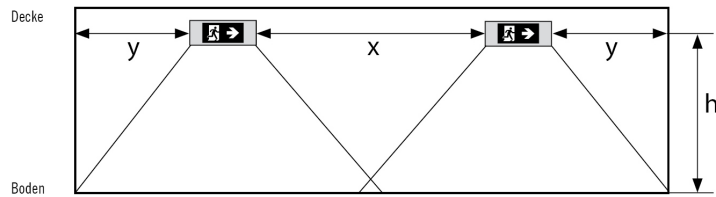


SLG EL LED 3h IR RM

Item number **GTIN**
 EN10061301 4015120061301

Planning aids

Abstandsbild (Rettungsweg / Gangbreite 2 m)

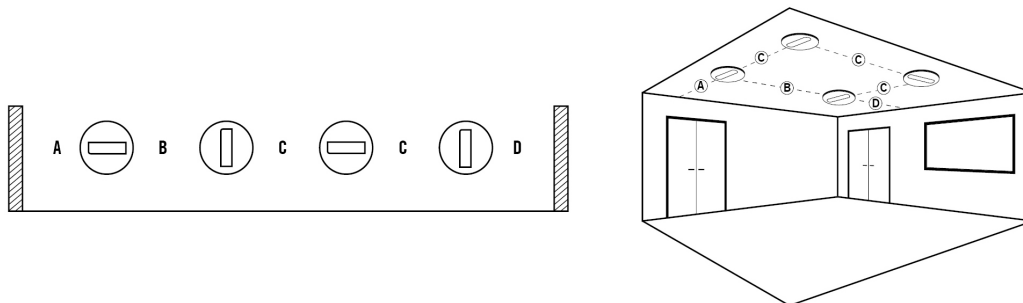


Notleuchten Typ	Abstand	Deckenmontage quer zum Rettungsweg - Montagehöhe (h)	
		h = 2,50 m	h = 3,00 m
SLG	x	4,50 m	5,00 m
	y	3,00 m	3,50 m

h = Montagehöhe y = Reichweite am Ende einer Leuchtenreihe x = Reichweite zwischen den Leuchten

Hilfstable zur Ermittlung der Abstände Wand/Leuchte und Leuchte/Leuchte, um 1 Lux Gebrauchswert nach DIN EN 1838 zu erfüllen.
 Lichttechnische Daten (Ldt) downloadbar unter www.esylux.com

Abstandstabelle / Deckenmontage SLG LEDi SC/C



Montagehöhe	Position SLG (1 lx)				Position SLG (0,5 lx)			
	A	B	C	D	A	B	C	D
2 m	2 m	5,9 m	5,9 m	2 m	2,7 m	7 m	7 m	2,7 m
2,5 m	2,4 m	6,5 m	6,5 m	2,4 m	3,1 m	7,1 m	7,1 m	3,1 m
3 m	2,4 m	6,9 m	6,9 m	2,4 m	3,2 m	8,4 m	8,4 m	3,2 m
3,5 m	2,6 m	7,3 m	7,3 m	2,6 m	3,4 m	8,7 m	8,7 m	3,4 m
4 m	2,4 m	7,8 m	7,8 m	2,4 m	3,5 m	9,4 m	9,4 m	3,5 m
4,5 m	2,4 m	7,6 m	7,6 m	2,4 m	3,7 m	9,8 m	9,8 m	3,7 m
5 m	2,4 m	7,6 m	7,6 m	2,4 m	3,7 m	10,4 m	10,4 m	3,7 m
5,5 m	1,9 m	7,6 m	7,6 m	1,9 m	3,8 m	10,5 m	10,5 m	3,8 m
6 m					3,8 m	10,8 m	10,8 m	3,8 m
6,5 m					3,3 m	11 m	11 m	3,3 m