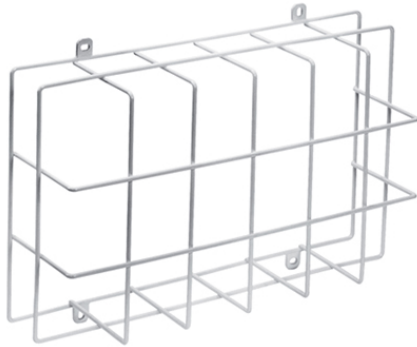


## SLF 30 BASKET GUARD WALL

**Item number**      **GTIN**  
EN10017971      4015120017971



### Product description

- Basket guard for single-battery emergency lighting from the SLF series for wall mounting
- Quick and easy installation thanks to external anchoring clips

### Technical data

#### GENERAL

Device category	Protection
Remote controllable	–

#### HOUSING

Dimensions	Length 360 mm x Width 250 mm x Height/ Depth 105 mm
Weight	539 g
Material	Varnished steel
Colour	white, similar to RAL 9010

### Scale drawing

