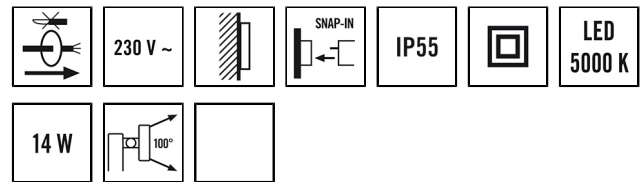


DATA SHEET

OL WL 100 OP 800 750 BK

Item number EL10710018
GTIN 4015120710018



Product description

- LED light
- Design lamp made of die-cast aluminium and plastic
- 14 W, light colour approx. 5000 K white

Technical data

GENERAL

Device category	Wall light
Remote controllable	–
Conformity	CE, RoHS, WEEE
Warranty	3-year

ATTACHMENT

Installation type	Surface mounting
Installation position	Wall
Type of connection	Screwed terminal
Connectable wire cross section	1,50 - 2,50 mm ²

HOUSING

Dimensions	Length 205 mm x Width 104 mm x Height/Depth 143 mm
Weight	532 g
Material	Aluminium and UV-stabilised plastic
Protection type	IP55
Permissible ambient temperature	-25 °C...+50 °C
Colour	Black, similar to RAL 9005
Glow wire test in accordance with IEC 60695-2-10	650 °C

ELECTRICAL VERSION

Protection class	II
Nominal voltage	230 V / 50 Hz
In-rush current	4,7 A / 33 µs
Leakage current	0,01 mA

LIGHT

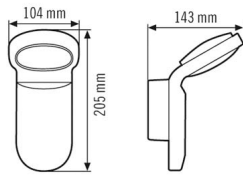
Diffusor	opal
Light emission	direct
Beam angle	90 °
Flicker factor	<10 %
Rated output	14 W
Luminous Flux (light)	770 lm
Luminous efficacy	55 lm/W
Colour temperature	5000 K
Colour rendering index Ra	> 70
L70B10 lifetime at 25 °C	80000 h
Life time L70B50 at 25 °C	100000 h
Life time L80B10 at 25 °C	50000 h
Life time L80B50 at 25 °C	65000 h
Life time L90B10 at 25 °C	25000 h
Life time L90B50 at 25 °C	30000 h
Energy efficiency class	A++ to A

DATA SHEET

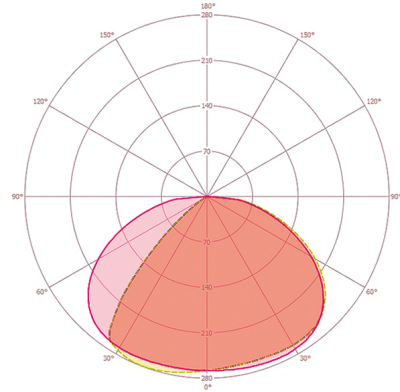
OL WL 100 OP 800 750 BK

Item number **GTIN**
EL10710018 4015120710018

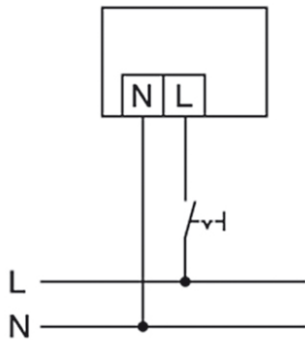
Scale drawing



Light distribution

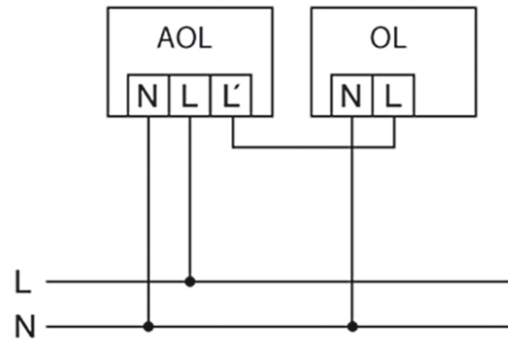


Circuit diagram



Standard operation

Circuit diagram



Controlled by an automatic light, e.g. the AOL 100 or AOL 200