

# Modulostar® CMC10sp

## FUSE HOLDERS, FUSE BASES AND SUPPORTS

### IEC+UL/CSA FUSE HOLDERS



The innovative and comprehensive Modulostar® range of Mersen fuse-holders. Modular fuse-holders are finger-safe under IEC standards and IEC+UL standards for sp types to an IP20 grade of protection, including fuse changing (with the flick of a finger). Modular fuse-holders are available in 1, 2, 3 or 4 poles, with or without visual blown fuse indicator.

### TECHNICAL DATA OVERVIEW

Voltage AC	690 VAC
Voltage DC	690 VDC
Amper (A)	32 A
SCCR	200kA
Mounting	Installation on to DIN rails to EN 60715
Product Size	For cylindrical fuse links 10x38 aM, gG and 10x38 Mersen Protistor®
Number of Poles	1 to 4 poles

### FEATURES & BENEFITS

- Modular design
- Compact design for space saving
- DIN rail mounting
- Degree of protection: IP20
- Finger safe
- Easy access to the fuse
- Lockable without accessory
- Sealable in closed & open position
- Optional visual blown fuse indicator
- Multi-pole assembly kit available
- Plastic material UL94V2 mini
- Plastic material R22HL2 for railway application
- Flame retardant materials with glow wire flammability index to 960°C

### APPLICATIONS

- All circuits up to 690V for protection of motors, transformers, low voltage distribution, control circuits, drive protection, metering
- Non-load operation

### STANDARDS

- IEC 60269-2 and IEC 60947-3 Compliance
- UL Recognized Component for SP types
- RoHS REACH Compliant



MERSEN reserves the right to change, update or correct, without notice, any information contained in this datasheet.

## PRODUCT RANGE



CMC101SP



CMC103NSP



CMC101ISP



CMC103NISP

### Modulostar® sp fuse-holders for 10.3x38.1 fuse-links, without indicator

Catalog number	Item number	Number of poles/phases	Design	Package	Weight
CMC101N	G1062698	1 + N	CMC10 single pole + neutral conductor	6	95 g
CMC101SP	Y1062759	1	CMC10 single pole special	12	45 g
CMC102SP	A1062761	2	CMC10 double pole	6	92 g
CMC103NSP	F1062766	3 + N	CMC10 triple pole + neutral conductor	3	0.19 kg
CMC103SP	D1062764	3	CMC10 triple pole	4	0.14 kg
CMC810N	W1062688	N	CMC8 CMC10 neutral conductor	12	48 g

### Modulostar® sp fuse-holders for 10.3x38.1 fuse-links, with standard indicator

Catalog number	Item number	Number of poles/phases	Design	Package	Weight
CMC101ISP	Z1062760	1	CMC10 single pole	12	46 g
CMC101NI	J1062700	1 + N	CMC10 single pole + neutral conductor	6	95 g
CMC102ISP	C1062763	2	CMC10 double pole	6	93 g
CMC103ISP	E1062765	3	CMC10 triple pole	4	0.14 kg
CMC103NISP	G1062767	3 + N	CMC10 triple pole + neutral conductor	3	0.19 kg

## TECHNICAL DATA

	CMC10SP	CMC10ISP
Size	10x38	10x38
Number of poles/phases	1, 1+N, 2, 3, 3+N	1, 1+N, 2, 3, 3+N
Conventional free air thermal current with fuse links $I_{th}$	32 A	32 A
Max. power dissipation of fuse links $P_n$	3 W	3 W
Max. power dissipation	4 W	4 W
Power dissipation of fuse-holder	0.4 W	0.4 W
Utilisation category	AC20B/DC20B	AC20B/DC20B
Rated insulation voltage $U_i$	1000 V	1000 V
SCCR	200 kA	200 kA
Rated impulse withstand voltage $U_{imp}$	6 kV	6 kV
Degree of protection	IP 20	IP 20
Voltage limit for blown fuse indicator	-	220 to 700VAC/DC
Indication System	-	with indicator
Operating temperature	-40°C to 70°C with carrier operation -50°C to 90°C without carrier operation	-40°C to 70°C with carrier operation -50°C to 90°C without carrier operation
Storage temperature	-40°C to 70°C	-40°C to 70°C
Connection	Max. tightening torque: 2Nm (17.7lbs.-in) Rigid / stranded wire = 1-16mm <sup>2</sup> (16-6AWG) Max. 2x6mm <sup>2</sup> PZ2 or flat 5.5x1mm screw drivers recommended (max. diameter 6mm)	Max. tightening torque: 2Nm (17.7lbs.-in) Rigid / stranded wire = 1-16mm <sup>2</sup> (16-6AWG) Max. 2x6mm <sup>2</sup> PZ2 or flat 5.5x1mm screw drivers recommended (max. diameter 6mm)

## SPECIFIC USAGE CONDITIONS

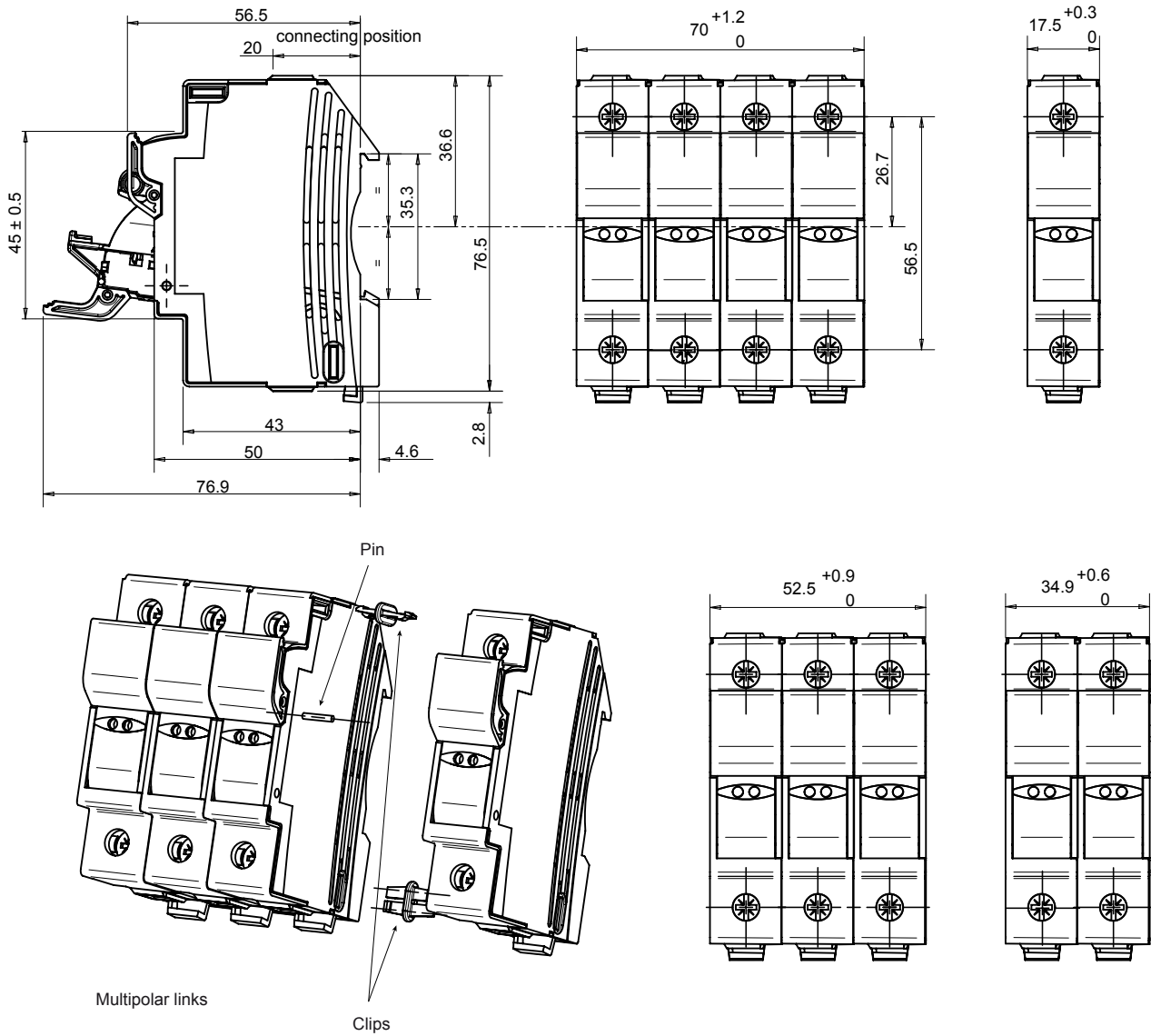
Ambient temperature	-40° to 20°C	30°C	40°C	50°C	60°C	70°C	80°C	90°C
Derating factor ( $I_e$ )	1	1	1	0.92	0.83	0.73	0.62	0.48
Humidity	95%	90%	80%	50%	-	-	-	-
Dampness derating	1	0.95	0.90	-	-	-	-	-

No of poles (side by side)	1 to 3	>= 4
Derating factor of current ( $I_{th}$ )	1	0.9

# Modulostar® CMC10sp

## DIMENSIONS

Modulostar® CMC10sp fuse-holders for cylindrical fuse-links class 10x38mm



Dimensions in mm

## ACCESSORIES



CMS810PAK

### Kit for multi phase connection

Catalog number	Item number	Features	Package	Weight
CMS810PAK	Z233725	Links for connection of multipole units	12	0.5 g

## ACCESSORIES



LOCK

### Locking devices

Catalog number	Item number	Features	Package	Weight
LOCK	M223525	Padlock	1	0.48 kg



TBB1A



TBB1C



TBB23A

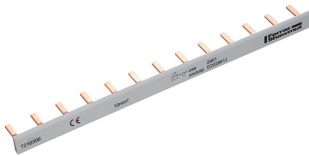


TBB23C

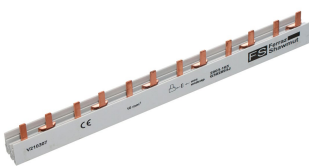
### Power supply

Catalog number	Item number	Application	Features	Package	Weight
TBB1A	D210315	Max. rms current 90A	1 phase axial incoming power supply	50	10.1 g
TBB1C	E210316	Max. rms current 90A	1 phase lateral incoming power supply	50	10 g
TBB23A	F210317	Max. rms current 90A	2 & 3 phases axial incoming power supply	50	23.3 g
TBB23C	G210318	Max. rms current 90A	2 & 3 phases lateral incoming power supply	50	23.1 g

### Wiring bars / Insulated bus bars



CMS810BB1F13



CMS810BB2F6

Catalog number	Item number	Application	Features	Package	Weight
CMS810BB1F13	T210306	Max. rms current 63A, for installation of 13 modules	single pole, 10 mm <sup>2</sup> , partition 17,5 mm (distance of poles), peg design, L-shaped	10	33.5 g
CMS810BB2F6	V210307	Max. rms current 63A, for installation of 6 modules	double pole, 10 mm <sup>2</sup> , partition 17,5 mm (distance of poles), peg design, L-shaped	10	80 g
CMS810BB3F4	W210308	Max. rms current 100A, for installation of 4 modules	triple pole, 10 mm <sup>2</sup> , partition 17,5 mm (distance of poles), peg design, L-shaped	10	84 g
CMS810BB4F3	X210309	Max. rms current 100A, for installation of 3 modules	quadruple pole, 10 mm <sup>2</sup> , partition 17,5 mm (distance of poles), peg design, L-shaped	10	0.12 kg