

### Description

MyHOME\_Screen10 with 16:9 10" LCD screen and new graphic interface:

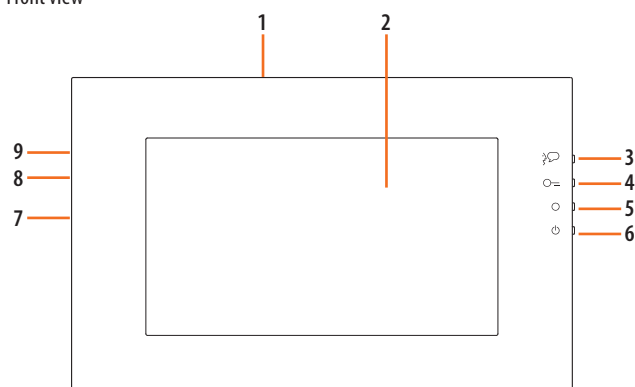
- management of all My Home and Video door entry system functions
- navigation by rooms
- management of multimedia contents through USB connection, SD Card, LAN network, or IP
- management of customised profiles
- possibility of customising background images

Installation: the device is suitable for wall mounted installation using the bracket supplied.  
Available in white and in black. No additional surround plate needed.

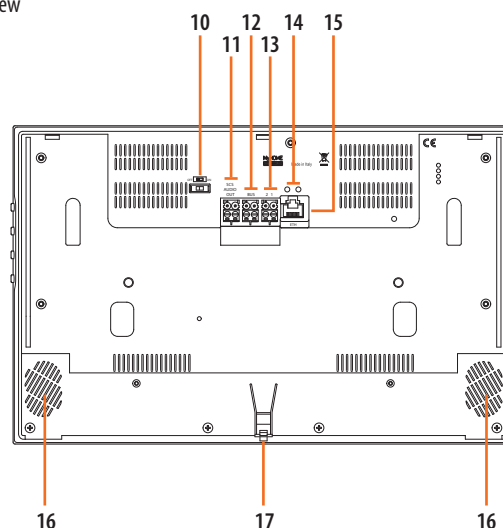
### Technical data

Power supply from SCS BUS:	18 – 27 Vdc
Local power supply (1 – 2):	22–27Vdc
Local max. absorption (1 – 2):	370 mA
Max. absorption from SCS BUS:	50 mA
Operating temperature:	5 – 45 °C

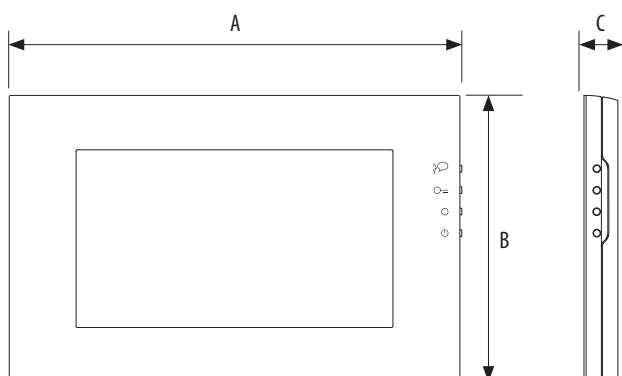
Front view



Rear view



### Dimensional data



A	B	C
315 mm	200 mm	24 mm

### Legend

1. Microphone
2. 10" touch screen colour LCD display
3. Call answer pushbutton
4. Door lock release
5. Switching on/Camera scrolling
6. Monitor off
7. USB connector
8. Mini-USB connector for the connection to the PC
9. Secur Digital memory card connector
10. Line termination ON/OFF micro-switch
11. Sound system output connector
12. 2 WIRE video BUS/SCS connector
13. 1 - 2 power supply connector
14. LAN connection signalling LED
15. RJ45 connector for Ethernet connection
16. Loudspeakers
17. Safety spring

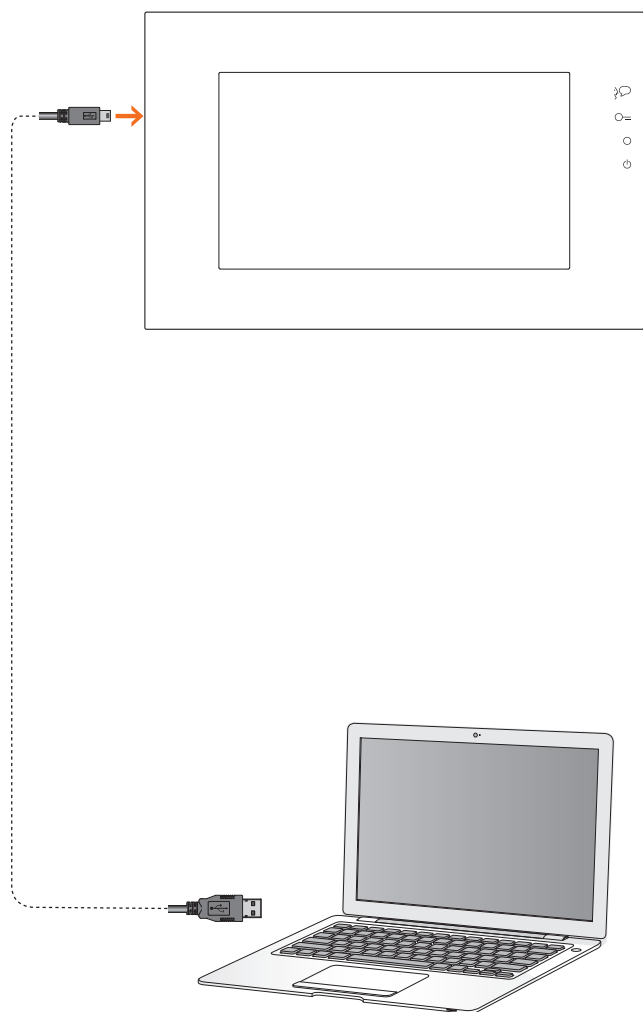
## Configuration

MyHOME\_Screen10 must be configured using the software.

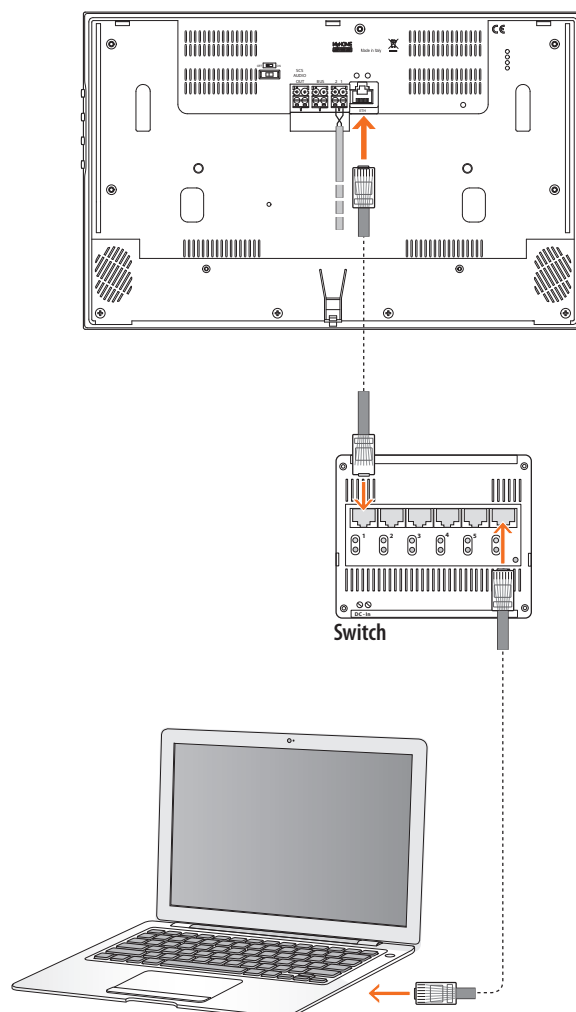
In order to receive/transfer the configuration performed, or to update the firmware, connect the device to the PC using one of the following solutions:

- USB-miniUSB cable;
- Ethernet cable.

### USB connection



### Ethernet connection



For the configuration download the software from the website [www.homesystems-legrandgroup.com](http://www.homesystems-legrandgroup.com)

**Wiring diagram**

