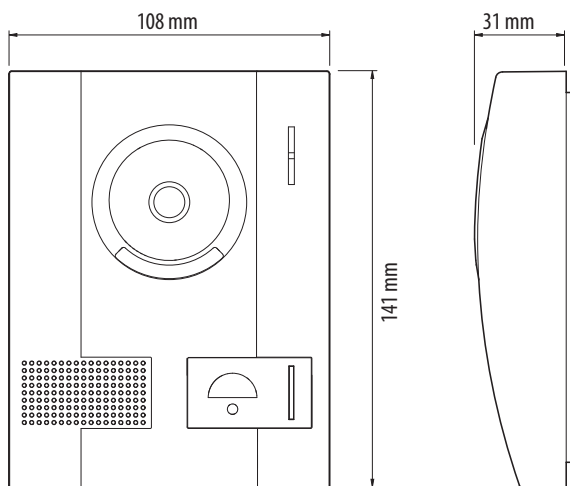


Description

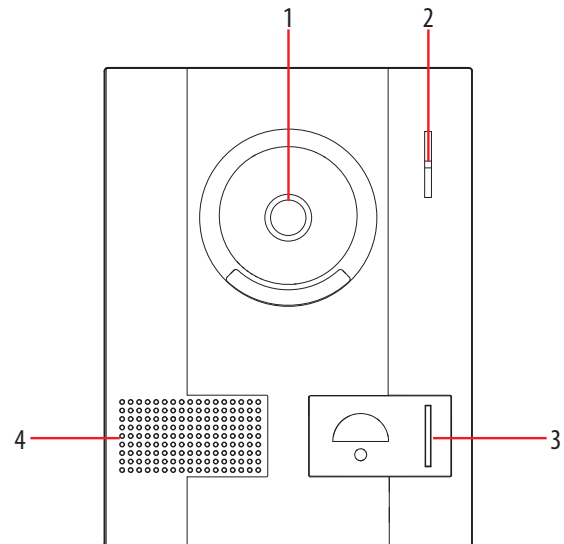
D45 System aluminium alloy small colour camera entrance panel to be installed on the front of the apartment door. Can call indoor handsets and direct conversation. Analogue 4 wires connections to D45 system internal unit. Surface mounting installation. NO configuration required.

Technical data

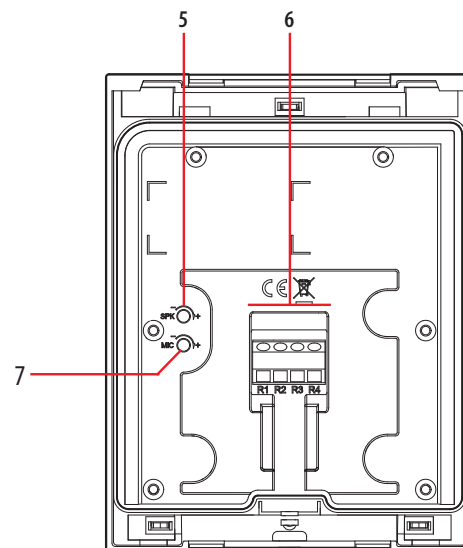
Power supply :	12 Vdc
Stand by absorption:	N/A.
Max. operating absorption:	≤ 250 mA@12 V
Camera resolution:	512 x 582
Camera diagonal view angle:	70°
Camera distance up to clear picture:	40 – 50 cm
Camera minimum lux level visibility:	0.5 Lux
Operating temperature:	(-25)-(+55)°C
Protection index:	IP 54
Protection against mechanical impact:	IK 07

Dimensional data

Front view



Rear view

**Legend**

1. Colour camera
2. Microphone
3. Call key with signalling LED
4. Loudspeaker
5. SPK knob to adjust audio volume coming from handset
6. R1: to connect R1 terminal of internal unit
R2: to connect R2 terminal of internal unit
R3: to connect R3 terminal of internal unit
R4: to connect R4 terminal of internal unit
7. MIC knob to adjust audio volume from EP to handset