



# Switch control RF 2 gangs

5738 36 HA/HB4597  
5738 37 672 36 L/N4597N 665102

## Description

Radio control device for the control of two separate or two groups of ON/OFF or Dimmer type actuators.  
When controlling Dimmer actuators, it will only be possible to switch the load on/off, but not to adjust the power level (dimmer function).

## Technical data

Power supply: No. 1 lithium battery 3 V, CR2032 type  
Duration of the batteries: 5 years  
Operating temperature: 5 – 45 °C  
Technology: Radio 2.4 GHz standard ZigBee®  
Capacity: 150 m free field, 15 m in rooms with concrete walls

## Dimensional data

Size: 2 modules

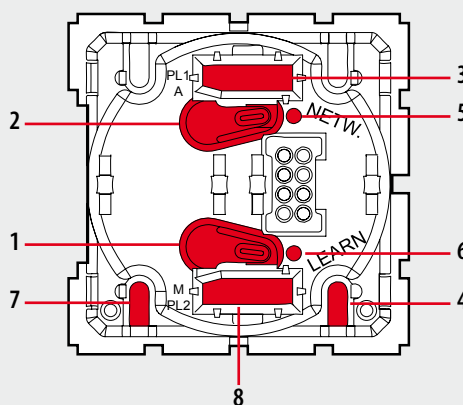
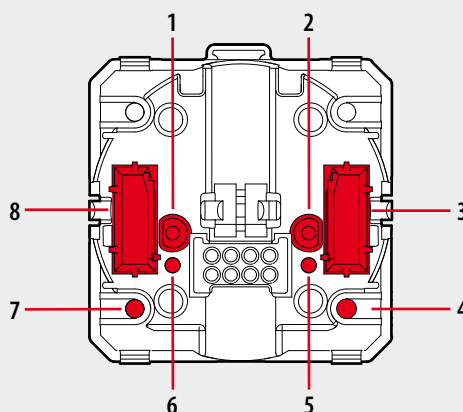
## Configuration

**Radio system:** "Push and Learn" self-learning type.  
**Wire system:** If the device is integrated in the BUS Automation system using the Gateway SCS/Zigbee interface it will be possible to manage BUS actuators, which address must be configured by connecting the configurators to the A, PL1, PL2, and M housings as indicated.

A = Room  
PL1 = Light Point N°1  
PL2 = Light Point N°2  
M = Operating mode (see table)

Configurator in M	Function
0	Cyclical ON/OFF
1	ON timed - 1 minute
2	ON timed - 2 minutes
3	ON timed - 3 minutes
4	ON timed - 4 minutes
5	ON timed - 5 minutes
6	ON timed - 15 minutes
7	ON timed - 30 minutes
8	ON timed - 500 ms
O/I	Cyclical ON/OFF
OFF	OFF control
ON	ON control
PUL	Monostable ON/OFF control (key)

Front view



## Legend

1. LEARNING key
2. NETWORK key
3. Configurator socket (A, PL1)
4. ON/OFF key No. 2
5. NETWORK LED
6. LEARNING LED
7. ON/OFF key No. 1
8. Configurator socket (PL2, M)