



# Integration module switch 1X2500W RF

5738 62 3571

## Description

Actuator for the control of a load with maximum power 2500 W, with ON/OFF control pushbutton for system testing.  
In enclosure suitable for installation inside false ceilings.

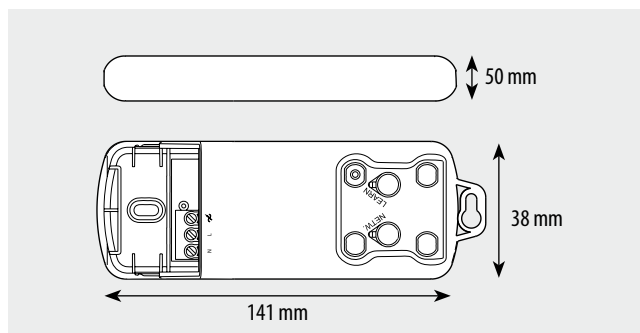
## Technical data

Power supply:	100 – 240 Vac 50/60 Hz
Operating temperature:	5 – 45 °C
Technology:	2.4 GHz Radiofrequency ZigBee® standard
Capacity:	150 m free field, 15 m in rooms with concrete walls
Power/absorption of the loads driven:	see following table

Voltage	Incandescent lamp	Halogen lamp	Fluorescent tube lamp	Ferromagnetic transformer
Voltage				
230 Vac	2500 W	2500 W	1250 W	2500 VA
110 Vac	1250 W	1250 W	625 W	1250 VA

Voltage	Electronic transformer	Compact fluorescent tube lamp	LED lamps	Motors
Voltage				
230 Vac	2500 W	1250 W	1250 W	250 VA
110 Vac	1250 W	625 W	625 W	125 VA

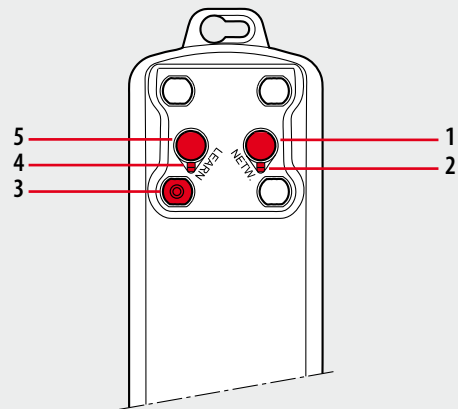
## Dimensional data



## Configuration

"Push and Learn" self-learning type.

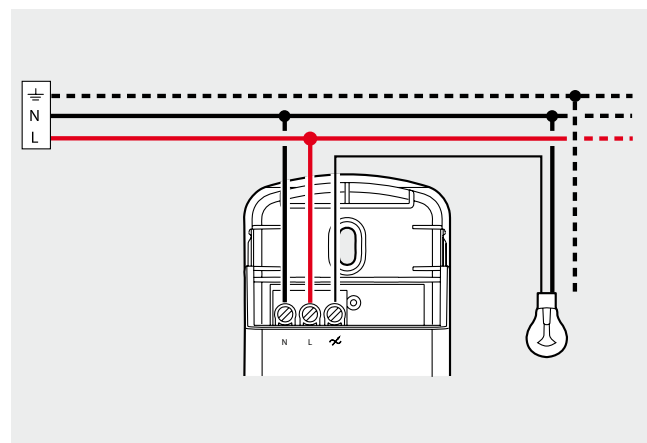
Front view



## Legend

1. NETWORK key
2. NETWORK LED
3. ON/OFF key
4. LEARNING LED
5. LEARNING key

## Wiring diagram



### Important:

- Protect the device with a 10 A fuse.
- Connect a load before performing any "scenario" learning procedure.
- For conventional type transformers, a load with power 60% higher than their rated power must be connected.
- For the calculation of the controllable power take into account the efficiency of standard transformers (e.g.: transformer for a 50 W lamp with an efficiency of 0.78 => power actually absorbed by the transformer = 64 VA)

BT00394-a-UK