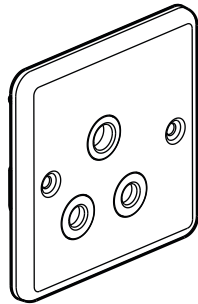
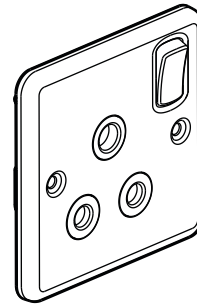


## Synergy™ Socket outlets 15 A - Authentic

Cat. No(s): 8 330 88/89 - 8 332 88/89 - 8 334 88/89



8 33x 88



8 33x 89

### 1. USE

British standard socket outlets, switched, complete delivered, with compact mechanisms for maximum wiring space and slim front plates. With 3 pin safety shutters.  
 For flush-mounting, back box to be min. 35 mm deep.  
 Fixing with screws.

### 2. RANGE

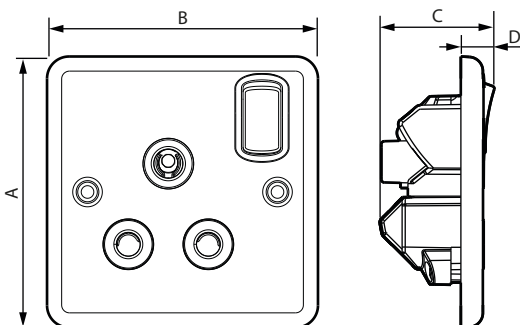
#### One-gang socket outlet

|          |                            |
|----------|----------------------------|
| 8 330 88 | ● Brushed stainless steel  |
| 8 332 88 | ● Polished stainless steel |
| 8 334 88 | ● Glossy gold              |

#### One-gang switched single pole

|          |                            |
|----------|----------------------------|
| 8 330 89 | ● Brushed stainless steel  |
| 8 332 89 | ● Polished stainless steel |
| 8 334 89 | ● Glossy gold              |

### 3. OVERALL DIMENSIONS (mm)



| Cat. Nos | A  | B  | C    | D  |
|----------|----|----|------|----|
| 8 33x 88 | 86 | 86 | 33   | 7  |
| 8 33x 89 | 86 | 86 | 36.5 | 11 |

### 4. CONNECTION

Type of terminals : with screws  
 Terminal capacity: 3 x 2.5 mm<sup>2</sup> - 3 x 4 mm<sup>2</sup> - 2 x 6 mm<sup>2</sup>  
 Stripping length: 12 mm  
 Compatible with flexible or rigid cables.

### 5. TECHNICAL CHARACTERISTICS

#### ■ 5.1 Mechanical characteristics

Impact tests: IK 01  
 Penetration by solid bodies/liquids: IP 20

#### ■ 5.2 Material characteristics

Rocker and plate:  
 - BSS: austenitic Brushed Stainless Steel - non magnetic - grade 304 L  
 - PSS: Polished Stainless Steel + rust resistance  
 - GG: Stainless Steel + rust resistance  
 Mechanism housing: PC  
 Halogen free  
 UV resistant

#### Self-extinguishing:

+ 850° C / 30 s for insulating parts holding live parts in place.  
 + 650° C / 30 s for other parts made of insulating materials.

#### ■ 5.3 Electrical characteristics

Voltage: 250 V~  
 Current: 15 A  
 Frequency: 50/60 Hz

#### ■ 5.4 Climatic characteristics

Storage temperature: - 10° C to + 70° C  
 Use temperature: - 5° C to + 35° C

### 6. CLEANING

Clean the surface with a cloth.  
 Do not use acetone, tar-removing cleaning agents or trichloroethylene.

Resistance to the following cleaning substances:  
 Hexane (EN 60669-1), Methylated spirit, Soapy water, Diluted ammonia, Diluted pure bleach 10%, Glass cleaning product.

**Caution:** An initial test is required for the use of other special maintenance products.

### 7. STANDARDS AND APPROVALS

Compliance with standards of installation and manufacturing.  
 See e.catalogue.